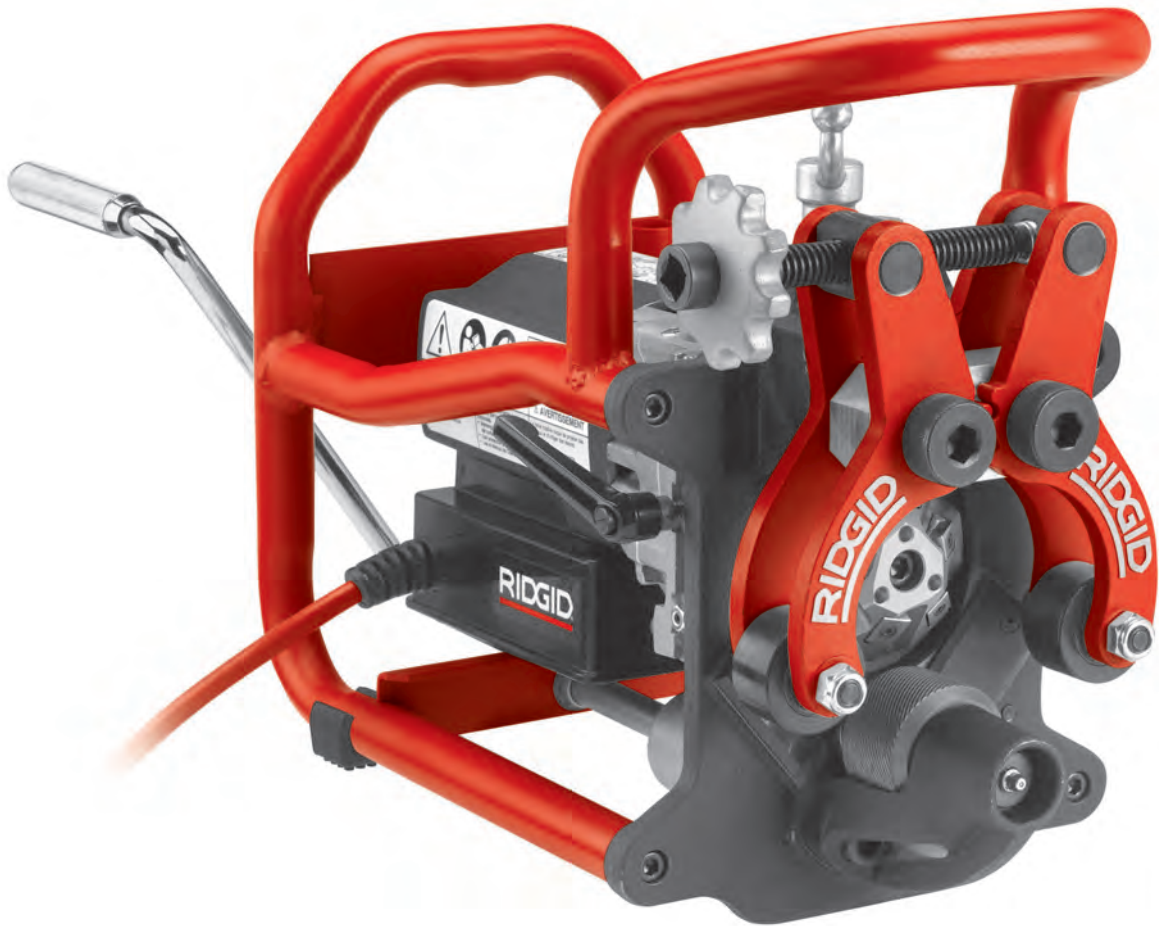


Transportable Pipe Beveller



- Français – 19
- Castellano – 39
- Türkçe – 59
- Русский язык – 77

Table of Contents

Recording Form For Machine Serial Number	1
Safety Symbols	2
General Power Tool Safety Warnings	
Work Area Safety	2
Electrical Safety	2
Personal Safety	3
Power Tool Use And Care	3
Service.....	3
Specific Safety Information	
Beveller Safety	4
Description, Specifications And Standard Equipment	
Description	4
Specifications.....	5
Standard Equipment	6
Icons	6
Pre-Operation Inspection	6
Set-Up And Operating Instructions	7
Workpiece Preparation.....	7
Fixed Workpiece/Moving Beveller Set-up.....	8
Fixed Beveller/Rotating Pipe Set-up	8
Bevelling.....	10
Maintenance Instructions	
Cleaning	14
Lubrication	14
Rotating/Replacing Cutter Inserts	14
Changing Cutter Heads	15
Replacing Carbon Brushes	15
Breaker.....	16
Wear Plates	16
Gib Plate Adjustment	16
Optional Equipment	16
Machine Storage	17
Service And Repair	17
Disposal	17
EC Declaration	Inside Back Cover
Lifetime Warranty	Back Cover

*Original Instructions - English

Model B-500

Transportable Pipe Beveller



⚠ WARNING!

Read this Operator's Manual carefully before using this tool. Failure to understand and follow the contents of this manual may result in electrical shock, fire and/or serious personal injury.

Model B-500 Transportable Pipe Beveller


Record Serial Number below and retain product serial number which is located on nameplate.


Serial
No.


--	--


Safety Symbols


In this operator's manual and on the product, safety symbols and signal words are used to communicate important safety information. This section is provided to improve understanding of these signal words and symbols.

 This is the safety alert symbol. It is used to alert you to potential personal injury hazards. Obey all safety messages that follow this symbol to avoid possible injury or death.

 **DANGER** DANGER indicates a hazardous situation which, if not avoided, will result in death or serious injury.

 **WARNING** WARNING indicates a hazardous situation which, if not avoided, could result in death or serious injury.

 **CAUTION** CAUTION indicates a hazardous situation which, if not avoided, could result in minor or moderate injury.

 **NOTICE** NOTICE indicates information that relates to the protection of property.



This symbol means read the operator's manual carefully before using the equipment. The operator's manual contains important information on the safe and proper operation of the equipment.



This symbol means always wear safety glasses with side shields or goggles and hearing protection while using this equipment to reduce the risk of injury.



This symbol indicates the risk of electrical shock.



This symbol indicates the risk of hands, fingers or other body parts being cut by the rotating or moving parts.



This symbol indicates the risk of machine tipping, causing striking or crushing injuries.



This symbol indicates that a drill, impact tool, or other power tool should not be used to drive this device.

General Power Tool Safety Warnings*

WARNING

Read all safety warnings, instructions, illustrations and specifications provided with this power tool. Failure to follow all instructions listed below may result in electric shock, fire and/or serious injury.

SAVE ALL WARNINGS AND INSTRUCTIONS FOR FUTURE REFERENCE!

The term "power tool" in the warnings refers to your mains-operated (corded) power tool or battery-operated (cordless) power tool.

Work Area Safety

- **Keep work area clean and well lit.** Cluttered or dark areas invite accidents.
- **Do not operate power tools in explosive atmospheres, such as in the presence of flammable liquids, gases, or dust.** Power tools create sparks which may ignite the dust or fumes.

- **Keep children and bystanders away while operating a power tool.** Distractions can cause you to lose control.

Electrical Safety

- **Power tool plugs must match the outlet. Never modify the plug in any way. Do not use any adapter plugs with earthed (grounded) power tools.** Unmodified plugs and matching outlets will reduce risk of electric shock.
- **Avoid body contact with earthed or grounded surfaces such as pipes, radiators, ranges and refrigerators.** There is an increased risk of electrical shock if your body is earthed or grounded.
- **Do not expose power tools to rain or wet conditions.** Water entering a power tool will increase the risk of electrical shock.
- **Do not abuse the cord. Never use the cord for carrying, pulling or unplugging the power tool. Keep cord away from heat, oil, sharp edges or moving parts.** Damaged or entangled cords increase the risk of electric shock.

* The text used in the General Power Tool Safety Warnings section of this manual is verbatim, as required, from the applicable UL/CSA/EN 62841 standard. This section contains general safety practices for many different types of power tools. Not every precaution applies to every tool, and some do not apply to this tool.

- **When operating a power tool outdoors, use an extension cord suitable for outdoor use.** Use of a cord suitable for outdoor use reduces the risk of electric shock.
- **If operating a power tool in a damp location is unavoidable, use a ground fault circuit interrupter (GFCI) protected supply.** Use of a GFCI reduces the risk of electric shock.

Personal Safety

- **Stay alert, watch what you are doing and use common sense when operating a power tool. Do not use a power tool while you are tired or under the influence of drugs, alcohol, or medication.** A moment of inattention while operating power tools may result in serious personal injury.
- **Use personal protective equipment. Always wear eye protection.** Protective equipment such as dust mask, non-skid safety shoes, hard hat, or hearing protection used for appropriate conditions will reduce personal injuries.
- **Prevent unintentional starting. Ensure the switch is in the OFF-position before connecting to power source and/or battery pack, picking up or carrying the tool.** Carrying power tools with your finger on the switch or energizing power tools that have the switch ON invites accidents.
- **Remove any adjusting key or wrench before turning the power tool ON.** A wrench or a key left attached to a rotating part of the power tool may result in personal injury.
- **Do not overreach. Keep proper footing and balance at all times.** This enables better control of the power tool in unexpected situations.
- **Dress properly. Do not wear loose clothing or jewelry. Keep your hair and clothing away from moving parts.** Loose clothes, jewelry, or long hair can be caught in moving parts.
- **If devices are provided for the connection of dust extraction and collection facilities, ensure these are connected and properly used.** Use of dust collection can reduce dust-related hazards.
- **Do not let familiarity gained from frequent use of tools allow you to become complacent and ignore tool safety principles.** A careless action can cause severe injury within a fraction of a second.

Power Tool Use And Care

- **Do not force the power tool. Use the correct power tool for your application.** The correct power tool will do the job better and safer at the rate for which it is designed.
- **Do not use the power tool if the switch does not turn it ON and OFF.** Any power tool that cannot be controlled with the switch is dangerous and must be repaired.
- **Disconnect the plug from the power source and/or remove the battery pack, if detachable, from the power tool before making any adjustments, changing accessories, or storing power tools.** Such preventive safety measures reduce the risk of starting the power tool accidentally.
- **Store idle power tools out of the reach of children and do not allow persons unfamiliar with the power tool or these instructions to operate the power tool.** Power tools are dangerous in the hands of untrained users.
- **Maintain power tools. Check for misalignment or binding of moving parts, breakage of parts and any other condition that may affect the power tool's operation. If damaged, have the power tool repaired before use.** Many accidents are caused by poorly maintained power tools.
- **Keep cutting tools sharp and clean.** Properly maintained cutting tools with sharp cutting edges are less likely to bind and are easier to control.
- **Use the power tool, accessories and tool bits etc. in accordance with these instructions, taking into account the working conditions and the work to be performed.** Use of the power tool for operations different from those intended could result in a hazardous situation.
- **Keep handles and grasping surfaces dry, clean and free from oil and grease.** Slippery handles and grasping surfaces do not allow for safe handling and control of the tool in unexpected situations.

Service

- **Have your power tool serviced by a qualified repair person using only identical replacement parts.** This will ensure that the safety of the power tool is maintained.

Specific Safety Information

⚠ WARNING

This section contains important safety information that is specific to this tool.

Read these precautions carefully before using the Model B-500 Transportable Pipe Beveller to reduce the risk of electrical shock or other serious injury.

SAVE THESE INSTRUCTIONS!

Keep this manual with machine for use by the operator.

Beveller Safety

- **Always wear appropriate eye protection and hearing protection.** Cutting tools can break or shatter. Cutting produces chips that can be thrown or fall into eyes. Cutting produces high noise levels that over time can damage your hearing.
- **Always wear appropriate personal protective equipment.** Face shields, long sleeves, safety shoes, hard hat, and other equipment as appropriate will reduce the risk of injury.
- **Do not wear loose clothing when operating machine. Keep sleeves and jackets buttoned.** Do not reach across machine. Clothing can be caught by the machine resulting in entanglement.
- **Keep bystanders clear of work area. Guard or barricade minimum of 6 feet (2 meter) around the working area.** Chips or broken cutting tools can be thrown and cause injury beyond immediate area of operation. A guard or barricade that provides a clearance around the work piece will reduce the risk of injury.
- **One person must control the work process and the beveller ON/OFF switch.** Only the operator should be in the work area when the machine is running. This helps reduce the risk of injury.
- **Properly support work piece and beveller. Make sure the beveller is secure to the work piece.** This will reduce the risk of striking and crushing injuries from tipping and falling pipe and equipment.
- **Do not start the beveller with the cutter inserts touching the work piece. Let the cutter head reach full speed before carefully feeding it into the work piece.** The cutter may bind, walk or kickback if the tool is started while in contact with the work piece.
- **Keep hands away from rotating cutter head. Allow parts to come to a complete stop before handling the tool or pipe.** This practice will reduce the chance of entanglement in rotating parts.

- **Do not use power tools such as a drill or impact to drive the beveller. Only drive beveller by hand.** Use of power to drive the beveller can increase the risk of injury.
- **Avoid breathing of dust created from pipe beveling.** Some dust created may contain chemicals known to cause cancer, birth defects or other serious personal injury. Consider the pipe material and coatings when determining appropriate respiratory protection, including things such as lead based paint.

Your risk from these exposures varies, depending on how often you do this type of work and the concentration of dust. To reduce your exposure to these chemicals, work in a well ventilated area, and use respiratory protection selected based on appropriate regulations and standards, such as ANSI Z88.2 and OSHA.

- **Do not modify beveller or use for any other purpose.** Other uses or modifying the beveller for other applications may damage the tool, damage the attachments and/or cause personal injury.
- **Read and understand these instructions and the instructions and warnings for all equipment and materials being used before operating this tool to reduce the risk of serious personal injury.**

The EC Declaration of Conformity (890-011-320.10) will accompany this manual as a separate booklet when required.

If you have any question concerning this RIDGID® product:

- Contact your local RIDGID® distributor.
- Visit RIDGID.com to find your local Ridge Tool contact point.
- Contact Ridge Tool Technical Service Department at rtctechservices@emerson.com, or in the U.S. and Canada call (800) 519-3456.

Description, Specifications And Standard Equipment

Description

The RIDGID® Model B-500 Transportable Pipe Beveller is used for bevelling most steel and stainless steel pipe ends and plate edges on material up to 0.5" (13 mm) thick in preparation for welding. Conical cutter heads with replaceable cutter inserts (see Figure 24) are driven by a motor/gearbox to produce 30°, 37.5°, or 45° bevels (with the correct cutter head).

The bevel is formed in a single pass without the need of any further dressing. No coolant or cutting oil is used. Land width can be adjusted in approximately 1/32" (0.8 mm) increments from 0 to 0.188" (0 to 4.8 mm). The bev-

eller securely grips the work piece between guide rolls and a drive roll. A detachable, hand crank is included to manually move the cutter head through the material being bevelled. Indicator lights are supplied to give feedback on proper cranking speed. The frame helps protect the motor/gearbox and aids in beveller handling.

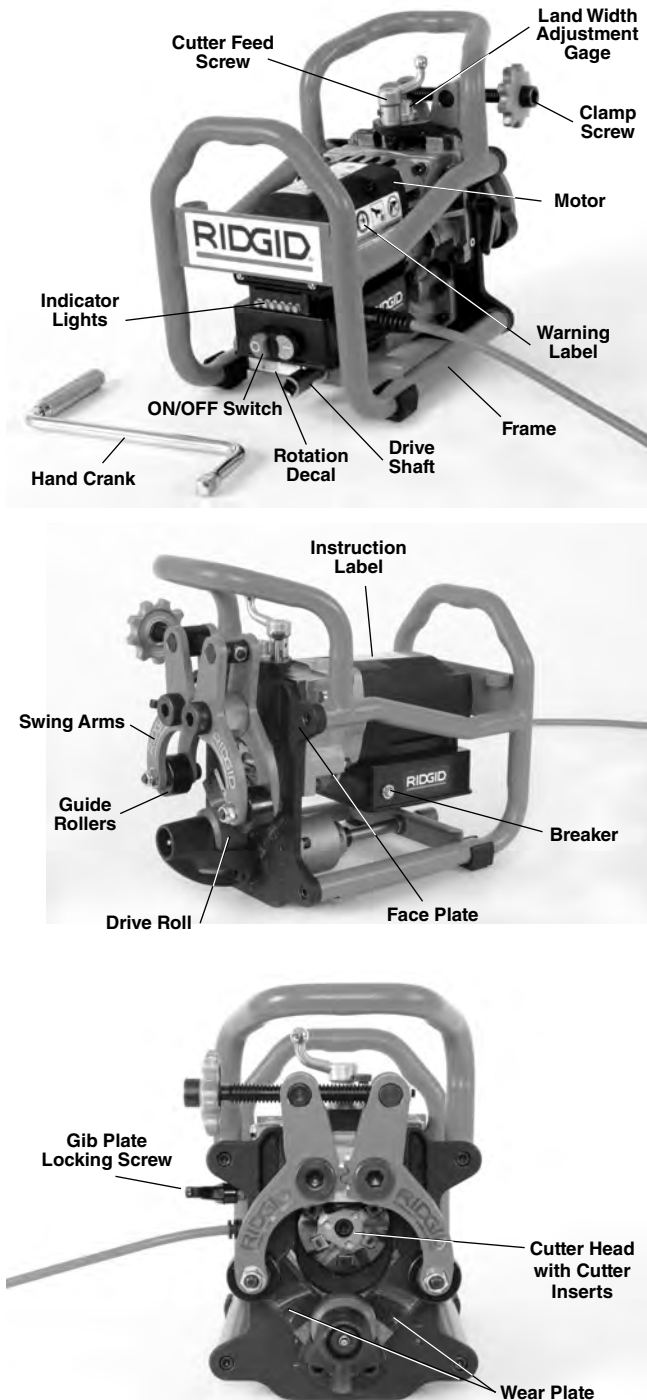


Figure 1 – Model B-500 Beveller

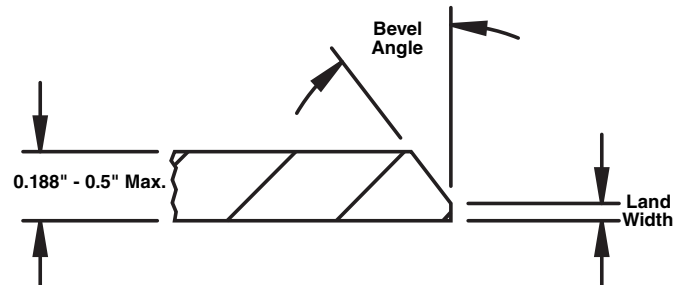


Figure 2 – Bevel Configuration

Specifications

Capacity Diameter.....Minimum – 4" IPS Pipe
 Maximum – Flat Plate

Pipe Wall/Plate
 Thickness.....Minimum – 0.188" (4.8 mm)
 Maximum – 0.50" (12.7 mm)
 Material thickness cannot vary by more than 0.031" (0.8 mm)

Pipe/Plate
 Orientation.....Horizontal (See Figure 6.)

Bevel Angles.....37.5°, 30° and 45° (with Correct Cutter Head)

Land Width0 to 0.188" (4.8 mm) in approximately 1/32" (0.8 mm) increments

Materials*Most Steel, Stainless Steel

*Beveller cutting head and inserts are optimized for standard A53 mild steel pipe. Reduced insert life can be expected on other materials.

*Ability to bevel depends on a variety of factors, including material type, chemistry, hardness, amount of material being removed and other factors. In some cases, bevels may not be able to be made or may result in cutter insert damage. If there are any questions about the specific material to be bevelled, contact Ridge Tool Technical Service Department.

No Load Operating

Speed No950/min

Motor:

TypeUniversal
 Horsepower1.2 HP
 Rating120V, 12.5 Amps, 50/60 Hz
 230V, 6.5 Amps, 50/60 Hz

Dimensions:

Height13.3" (33.8 cm)
 Length.....15.8" (40.1 cm)
 Width.....11.5" (29.2 cm)
 Weight.....52.5 lbs (23.8 kg) with Cutter Head and Crank Handle

Sound Pressure (L_{PA})* 92 dB(A), K=3

Sound Power (L_{WA})* 105 dB(A), K=3

* Sound measurements are measured in accordance with a standardized test per Standard 62841-1.

- Sound emissions may vary due to your location and specific use of these tools.
- Daily exposure levels for sound need to be evaluated for each application and appropriate safety measures taken when needed. Evaluation of exposure levels should consider the time a tool is switched off and not in use. This may significantly reduce the exposure level over the total working period.

Standard Equipment

The RIDGID® Model B-500 Transportable Pipe Beveller comes with:

- Cutter Head, with one set of six cutter inserts (Installed)
- T15 Wrench for cutter Insert Screws
- Anti-Seize Grease for cutter Insert Screws
- 1" Spanner Wrench
- 5/16" Hex Key
- Operator's Manual



Figure 3 – Standard Equipment

Icons

- | Power ON
- Power OFF



Figure 4 – Machine Serial Number

The Model B-500 Beveller serial number plate is located on the side of the motor. The last 4 digits indicate the month and year of manufacture.

NOTICE Selection of appropriate materials and installation, joining and forming methods is the responsibility of the system designer and/or installer. Selection of improper materials and methods could cause system failure.

Stainless steel and other corrosion resistant materials can be contaminated during installation, joining and forming. This contamination could cause corrosion and premature failure. Careful evaluation of materials and methods for the specific service conditions, including chemical and temperature, should be completed before any installation is attempted. (See *NOTICE in Workpiece Preparation section.*)

Pre-Operation Inspection

⚠ WARNING



Before each use, inspect your beveller and correct any problems to reduce the risk of serious injury from electric shock, entanglement, crushing injuries and other causes and prevent beveller damage.

1. Make sure that the beveller is unplugged and press the OFF button.
2. Clean any oil, grease, dirt, or chips from the beveller, including the handles and controls. This aids inspection and helps prevent the machine or control from slipping from your grip. Clean and maintain the machine per the Maintenance Instructions.
3. Inspect the beveller for the following:
 - Inspect the cord and plug for damage or modification.
 - Proper assembly, maintenance and completeness.
 - Any broken, worn, missing, misaligned or binding parts or other damage.
 - Drive roll knurl is clean and in good condition. If needed, clean with a wire brush. Worn or dirty drive roll knurls can cause slippage or tracking issues in use. Dirty rolls and knurls can cause ferrous contamination of stainless steel.
 - Presence and readability of the warning and instruction labels (See Figure 1).
 - Confirm fasteners and cutter head are secure.
 - Confirm that drive shaft only turns in the clockwise direction (as marked on decal).
 - Inspect the cutting edges of the cutter inserts in the cutter head for wear, deformation, chips or other issues. Confirm that the cutter inserts are secure. Dull, damaged or loose cutting inserts can damage the tool, produce poor quality cut and increase the risk of injury.

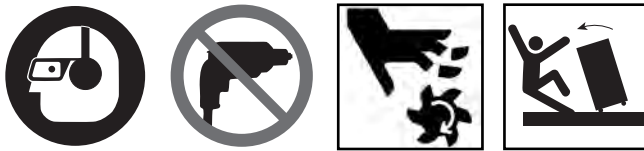
- Any other condition which may prevent safe and normal operation.

If any problems are found, do not use the tool until the problems have been repaired.

4. Inspect and maintain any other equipment being used per its instructions to make sure it is functioning properly.

Set-Up And Operating Instructions

⚠ WARNING



Always wear appropriate eye protection and hearing protection. Cutting tools can break or shatter. Cutting produces chips that can be thrown or fall into eyes. Cutting produces high noise levels that over time can damage your hearing.

Do not wear loose clothing when operating machine. Keep sleeves and jackets buttoned. Do not reach across machine. Clothing can be caught by the machine resulting in entanglement.

Keep bystanders clear of work area. Guard or barricade minimum of 6 feet (2 meter) around the working area. Chips or broken cutting tools can be thrown and cause injury beyond immediate area of operation. A guard or barricade that provides a clearance around the work piece will reduce the risk of injury.

One person must control the work process and the Beveller ON/OFF switch. Only the operator should be in the work area when the machine is running. This helps reduce the risk of injury.

Properly support work piece and beveller. Make sure the beveller is secure to the work piece. This will reduce the risk of striking and crushing injuries from tipping and falling pipe and equipment.

Do not start the Beveller with the cutter inserts touching the work piece. Let the cutter head reach full speed before carefully feeding it into the work piece. The cutter head may bind, walk or kickback if the tool is started while in contact with the work piece.

Keep hands away from rotating cutter head. Allow parts to come to a complete stop before handling the tool or pipe. This practice will reduce the chance of entanglement in rotating parts.

Do not use power tools such as a drill or impact to drive the beveller. Only drive beveller by hand. Use of power to drive the beveller can increase the risk of injury.

Set-up and operate the beveller according to these

procedures to reduce the risk of injury from electric shock, entanglement, striking, crushing and other causes, and to help prevent machine damage.

1. Check work area for:
 - Adequate lighting.
 - Flammable liquids, vapors or dust that may ignite. If present, do not work in area until sources have been identified and corrected. The machine is not explosion proof and can cause sparks.
 - Clear, level, stable and dry place for all equipment and operator.
 - Properly grounded electrical outlet of the correct voltage. A three-prong or GFCI outlet may not be properly grounded. If in doubt, have outlet inspected by a licensed electrician.
 - Clear path to electrical outlet that does not contain any potential sources of damage for the power cord.
2. When using the beveller, you will generally need to use extension cords. Choose an extension cord that:
 - Is in good condition.
 - Has a grounded (earthed) plug like on the beveller.
 - Is rated for outdoor use.
 - Has sufficient wire size. For extension cords up to 50' (15.2 m) long use 14 AWG (1.5 mm²) or heavier. For extension cords 50'-100' (15.2 m - 30.5 m) long use 12 AWG (2.5 mm²) or heavier.

With dry hands, plug the extension cord into the outlet. Run the extension cord along a clear path to the beveller. Keep all connections dry and off the ground. Leave excess cord at the base of the machine to allow for machine movement in the *Fixed Workpiece/Moving Beveller* configuration (see Figure 20A & B). Do not plug the beveller in at this time.
3. Make sure all equipment has been properly inspected.
4. Keep bystanders clear of work area, set up guards or barricades to create a minimum of 6 feet (2 m) of clearance around the workpiece and beveller. This helps to prevent bystanders from being struck by chips during use.

Workpiece Preparation

Inspect the work piece to be bevelled and confirm that the Model B-500 Beveller is a correct tool for the job. See *Specifications*.

For pipe, the pipe end must be square within 0.062" (1.6 mm), see Figure 5. The beveller follows the cut on the end of the pipe and does not square the end of the pipe. For plate, the edge to be bevelled must be straight, without curves. The bevelled edge will be no straighter than the ini-

tial cut. Beveling non-square edges could cause tracking issues and can affect the bevel quality.



Figure 5 – Pipe Squareness Requirements

The beveller will work on displacement cut (cutting wheel), saw cut or torch cut edges. Prior to beveling, remove torch cutting slag build up, pipe weld seams over 1/32" (0.8 mm) high, large burrs and other debris on both sides of the edge to be bevelled within 3" (75 mm) of the edge. This allows the beveller to grip and drive on the material. It may be necessary to remove oil or other coatings on the material to be bevelled to ensure beveller tracking.

There must be at least 3" of unobstructed straight pipe or flat plate from the edge to be bevelled for the beveller to mount and drive on. Do not use on curved material, such as elbows or other fittings.

NOTICE To prevent ferrous contamination of stainless steel, make sure that the drive and guide rolls are clean and debris free. Thoroughly clean with a stainless steel brush. Change inserts – use dedicated inserts for stainless steel. Best practice is to dedicate a beveller for stainless steel.

NOTICE Do not use the beveller on material that is connected to a welder. If the beveller is connected to a workpiece during welding processes, it can damage the beveller circuitry.

Fixed Workpiece/Moving Beveller Set-Up

The beveller is designed for use on horizontal pipe and plate. It may also be used for pipe ends above horizontal. See Figure 6 for examples. Use in other orientations can allow the beveller and chips to fall on the operator, and is not allowed.

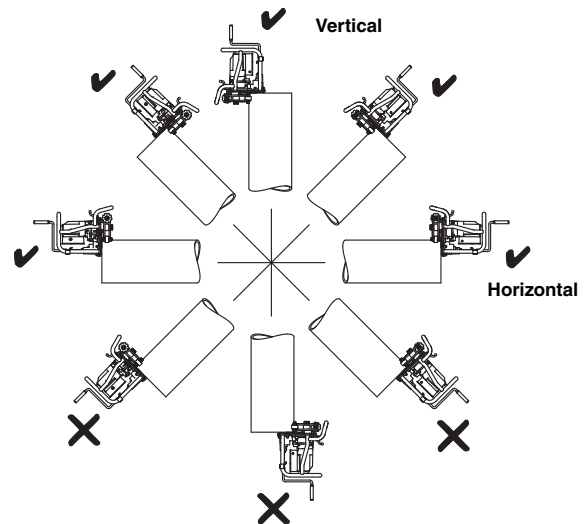


Figure 6 – Acceptable (✓) and Unacceptable (✗) pipe orientations

Make sure that the work piece to be bevelled is solidly mounted and stable. Work piece and support must be able to withstand the weight of the beveller and the force and torque required for beveling without moving or turning. When using a pipe vise, make sure that it is properly sized and secured to prevent tipping during use. For longer lengths of pipe, use appropriate pipe stands to support extra length.

When used on flat plate, the beveller cannot be used within 6 inches of the end of the edge. Both guide rollers must contact the plate to hold the beveller in place (See Figure 16).

If beveling in place, make sure that there is sufficient room for the beveller to fit in place and move along work piece.

Fixed Beveller/Rotating Pipe Set-Up

With the Model TBM-36 Beveller Adapter (optional equipment) (See Figure 7) the B-500 Beveller is mounted on a RIDGID 450 or 460 series TRISTAND chain pipe vise. The beveller is held stationary in use while the pipe rotates, increasing convenience and allowing shorter pieces of pipe to be beveled. This can be used for pipe up to 36" (900 mm) in diameter.



Figure 7 – TBM-36 Beveller Adapter

1. Inspect and set up the RIDGID® 450 or 460 Series Portable TRISTAND chain pipe vise as per its instructions. If desired, anchor the rear leg of the Portable TRISTAND chain pipe vise for greater stability. Do not anchor the front legs. Anchoring the front legs of the stand can prevent slight stand movement needed for good tracking.
2. Place the cylindrical body of the adapter in the V-jaw of the vise as shown in *Figure 8*. Locate the key into the slot of the vise jaw for proper positioning and stability.

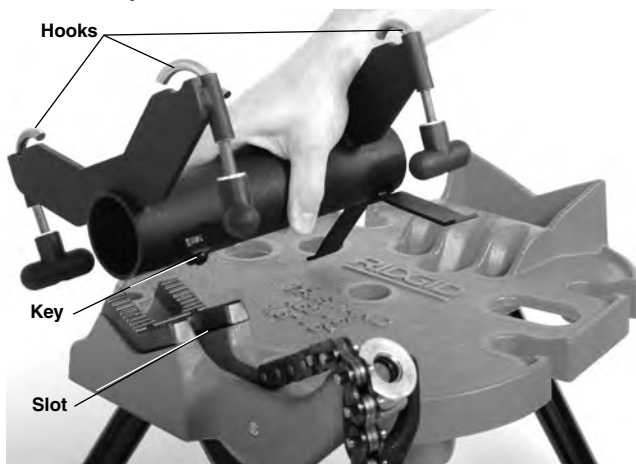


Figure 8 – Mounting the Adapter on Vise

- 3 Place the vise chain over the body of the adapter and securely tighten the chain to hold the adapter in place.
4. Fully loosen the adapter hook knobs and move the hooks outwards.
5. Securely grasp the beveller and place on the adapter as shown in *Figure 9*.



Figure 9 – Securing Beveller to Adapter

6. Move the hooks over the beveller frame and securely tighten the knobs (*Figure 9*).

7. Make sure the stand and equipment are stable.
8. Install the supplied 10" long ½" drive extension in the Beveller drive shaft (*see Figure 10*).
9. When beveling pipe less than 12" (300 mm) long and less than 50 pounds (22 kg), as long as the beveller and Portable TRISTAND Pipe Vise are stable and secure, no pipe stand is needed to support the pipe. Pipe is placed directly on the drive roll and secured with the guide rolls (*Figure 10*).

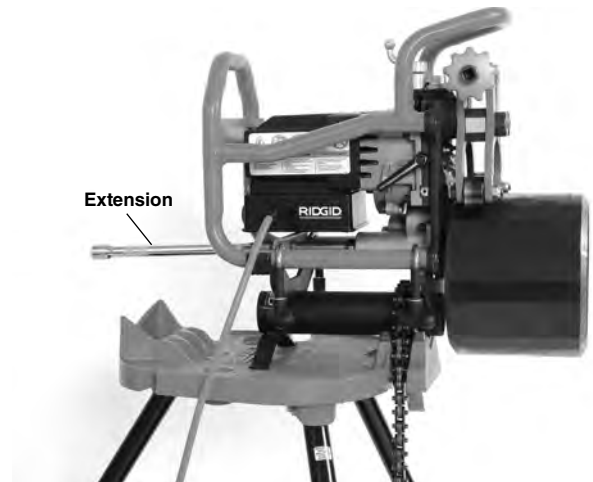


Figure 10 – Fixed Beveller, Pipe under 12" Long, under 50 Pounds

If beveling pipe longer than 12" (300 mm) or more than 50 lbs (22 kg), the pipe must be supported with appropriate pipe stands to reduce the risk of the pipe and equipment tipping and falling. Stands must be equipped with rollers to allow the pipe to rotate while beveling. Improper pipe supports or supporting the pipe by hand can cause tipping or falling pipe and equipment.

Place the pipe stands in line with beveller drive roll. Always use at least two pipe stands if possible. Pipe upper inside diameter should be the same height or up to 1/8" (3mm) higher than the upper edge of the beveller drive roll prior to gripping (*see Figure 11*). Pipe should be parallel to the beveller drive roll. Do not place the inside diameter of the pipe lower than the upper edge of the drive roll – this can decrease stability and tracking.

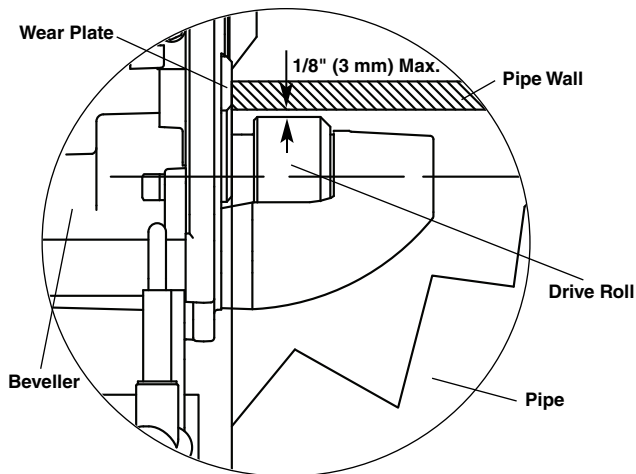


Figure 11 – Fixed Beveller, Pipe Position relative to Beveller Drive Roll (Cut Away Pipe - Prior To Gripping)

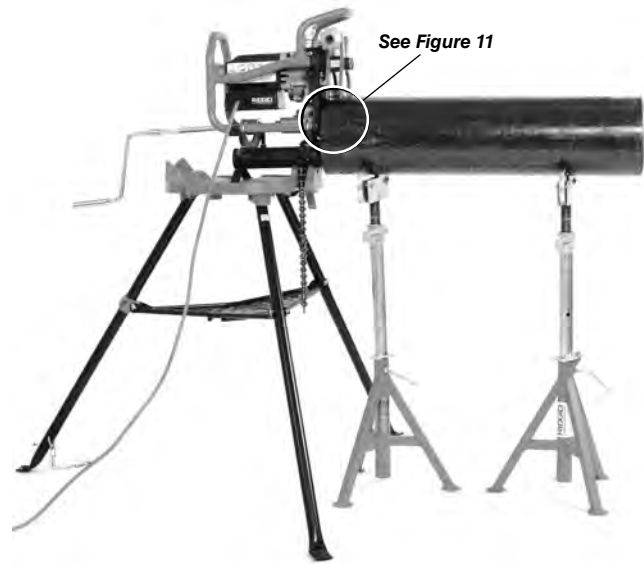


Figure 13 – Fixed Beveller, Long Pipe, Multiple Pipe Stands



Figure 12 – Fixed Beveller, Short Pipe, One Pipe Stand

When used with short sections of the pipe and one pipe stand, the pipe will be supported on the beveler drive roll and the pipe stand (see Figure 12). When used with longer pipes and multiple pipe stands, the pipe will be supported on the stands, as shown in Figure 13.

The set-up and tracking of the pipe to Beveller can be confirmed prior to bevelling. Following the bevelling instructions, but without turning machine ON, tighten the clamp screw hand tight plus 3/4 turn to grip the pipe. Insert the hand crank and rotate to drive the pipe around. Pipe end should stay flush to wear plates (Figure 15B) as pipe rotates. If not, the set-up will need to be adjusted.

Bevelling

The B-500 Transportable Pipe Beveller can be used in two configurations, either with the work piece fixed and the beveller moving along it (*Fixed Workpiece/Moving Beveller*) or with the beveller fixed on the Model TBM-36 Beveller Adapter and the pipe moving relative to the beveller (*Fixed Beveller/Rotating Pipe*) See *Set-Up* information for these configurations.

Due to differing material characteristics, a test bevel should always be performed before the first bevel of the day or when changing material type, material thickness, bevel angle or land width.

A label is provided on the beveller motor with basic operation information. The label steps follow the steps of this section. This label is not a substitute for operator's manual which contains all of the information for proper use.

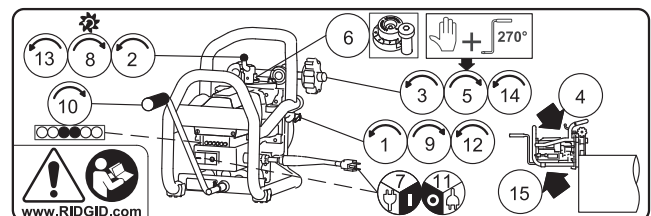


Figure 14 – Instruction Label

1. Confirm that the gib plate lock screw is loose.
2. Turn the cutter feed screw counter clockwise to fully retract the cutter head (away from the drive roll).
3. Turn the clamp screw to open the swing arms to position wide enough for mounting to work piece.
4. Bringing the beveller and workpiece together.

Fixed Workpiece/Moving Beveller

Confirm that the beveller and workpiece have been properly set up.

Securely grasp the beveller and place on the pipe with guide rollers on the outside diameter (guide rolls to the side that gets the bevel for flat plate) and drive roll inside the pipe (side away from the bevel). Make sure the wear plates on the beveller are flush to the end of the pipe or plate edge (Figure 15B). Do not hit the pipe or plate with the Cutter Head to prevent damage to the inserts. Hold beveller until secure to work piece.

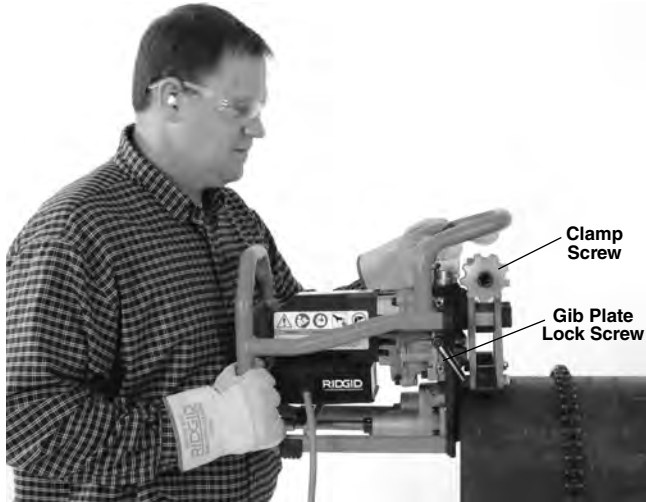


Figure 15A – Placing Beveller on Pipe

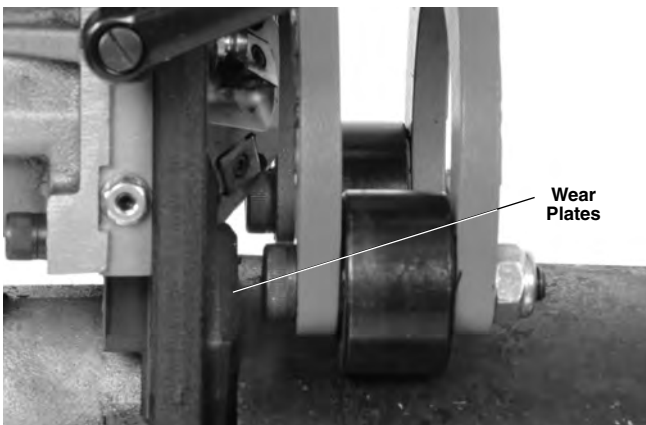


Figure 15B – Wear Plate Flush To End of Pipe

When used on flat plate, the beveller cannot be used within 6 inches of the end of the edge. Both guide rollers must contact the plate to hold the beveller in place (See Figure 16).

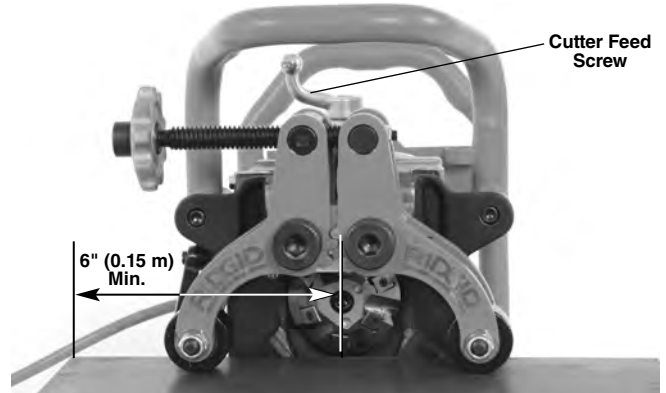


Figure 16A – Beveller On Plate



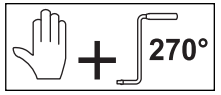
Figure 16B – Installing Beveller on Plate

Fixed Beveller/Rotating Pipe

Confirm that the beveller, pipe stands and pipe have been properly set up (see Figures 10, 12 and 13).

Place the pipe over the beveller drive roll. Make sure the wear plates on the beveller are flush to the end of the pipe or plate edge. Do not hit the Cutter Head with the workpiece to prevent damage to the inserts. Hold pipe until secured by the beveller.

5. Tighten the clamp screw hand tight plus an additional 3/4 turn (270°) (Figure 17) with the supplied hand crank to grip the material between the guide rollers



and the drive roll. Make sure that the beveller is secure to the material and the beveller and material is stable. Remove the hand crank. Do not leave the hand crank on the clamp screw. Do not attempt to bevel unless the pipe is secure to the beveller.



Figure 17A – Hand Tighten Clamp Screw

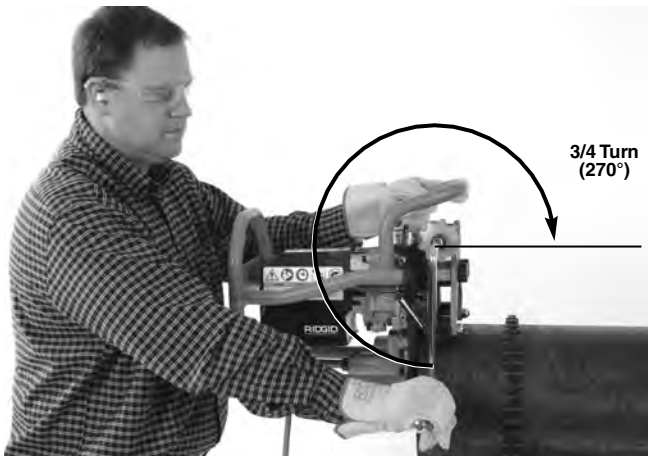


Figure 17B – Tighten Clamp Screw Additional 3/4 Turn (270°)

6. Set the desired bevel land width (*Figure 18*) using the land width adjustment gage. If set to “0” there will be no land on the end of the pipe. Each step on the land width adjustment gage is approximately a 1/32" (0.8 mm) different from the adjacent step. (1 ~ 0.03" (0.8 mm) land width, 2 ~ 0.06" (1.6 mm), etc.) Move the needed step of the gage so it aligns under the head of the stop.

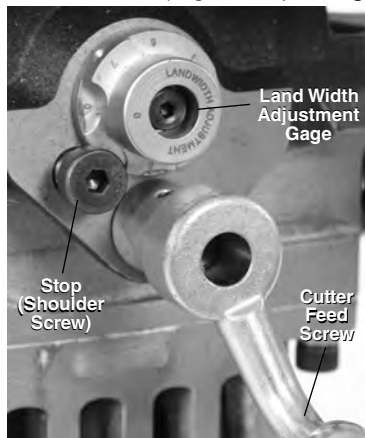


Figure 18 – Land Width Adjustment Gage Setting

7. Confirm that the cutter head is fully retracted and not in contact with the work piece. With dry hands, plug the

beveller power cord into a properly grounded outlet/extension. All indicator lights should be illuminated.

Assume a proper operating position (*Figure 19*).

- Stand at the back of the machine, facing the hand crank with good access to the ON/OFF switch. In case of emergency you must be able to turn the machine OFF.
- Be sure you have good balance and do not have to overreach.

Depress the ON button (I). After motor comes up to speed, yellow indicator lights should be ON.



Figure 19 – Proper Operating Position

8. Using a smooth continuous clockwise rotation of the cutter feed screw (*Figure 18*); engage the cutter head into the work piece until the stop contacts the land width adjustment gage. Do not use cutting oil or coolant.
9. Tighten the gib plate locking screw to lock the cutter head into position (*Figure 15*). If gib plate locking screw is not securely tightened, the cutting inserts could become damaged.
10. Insert the hand crank into the drive shaft or extension. Using a controlled uninterrupted motion, start rotating the hand crank in a clockwise direction to bevel (*Figure 20*).

It is important to provide proper rotational speed to prolong the life of the cutting inserts. Monitor the LED indicator lights on the rear of the unit. Green indicates the proper speed. Yellow indicates that you need to rotate the handle faster, Red indicates to rotate the handle slower. (*See Figure 21*.)

The crank should only turn clockwise when viewed from the back of the beveller. Do not drive the beveller with a drill, impact or other power tool – drive by hand only. Do not use cutting oil or coolant.

In some cases, chips will build up between the work piece and the guide rollers. In most cases, the guide rollers will ride over the chips with no issue other than a slight increase in cranking force. If the unit binds or chips need to be removed during bevelling, turn the tool off and unplug it prior to removing chips or removing the pipe.



Figure 20A – Bevelling Operation (Fixed Workpiece/Moving Beveller)



Figure 20B – Bevelling Operation (Fixed Workpiece/Moving Beveller)



Figure 20C – Bevelling Operation (Fixed Beveller/Rotating Pipe)



Indicator Lights

Indicator Lights	Lights Illuminated	Condition
	All	Plugged in, switch OFF
	Two Yellow	Crank speed too slow.
	One Yellow/One Green	
	Two Green	Optimum crank speed.
	One Green/One Red	
	Two Red	Crank speed too fast.

Figure 21 – Indicator Lights

Continually monitor the cord position (moving beveller only) and tracking of the beveller to the workpiece. Make sure the cord stays clear of the cutter head. As the bevel is formed, make sure that the wear plates stay flush to the end of pipe or plate edge. Stop rotating the hand crank and press the OFF (O) button. If:

- The wear plates move away from the work piece.
- The cutters do not engage the work piece.
- The process needs to be stopped for any reason.

This will help prevent the beveller from tracking off the work piece. Repeat procedure starting at step one to continue bevel.

Continue rotating the crank until the bevel is complete.

11. When bevel is complete, press the OFF button (O) and make sure the cutter head comes to a complete stop. Unplug the beveller from the extension (Moving Beveller Only).
12. Loosen the gib plate locking screw to unlock the cutter head.
13. Fully retract the cutter head using the cutter feed screw.
14. Making sure that the beveller and workpiece are secure, loosen the clamp screw to open the swing arms to release work pipe.
15. Separate the beveller and work piece. Be careful of sharp edges on the pipe. Be careful not to hit the Cutter Head with the pipe to prevent damage to the inserts.

Maintenance Instructions

⚠ WARNING

Make sure the beveller is unplugged and press the OFF button before performing any maintenance or making any adjustments.

Always wear eye protection.

Maintain beveller according to these procedures to reduce the risk of injury from electrical shock, entanglement and other causes.

Cleaning

After each use, wipe any chips off with a soft, clean, cloth or brush, especially areas of relative motion such as the swing arms, dovetail rails or feed screw. Clean any dust and debris from the motor vents.

Clean drive roll knurl with a wire brush (*Figure 22*).



Figure 22– Clean Drive Roll Knurls

Lubrication

On a monthly basis (or more often if needed) lubricate all exposed moving parts (such as feed screw, clamping screw and pivot points) with a light lubricating oil. Wipe any excess oil from exposed surfaces. Use an extreme pressure (“EP”) lithium grease for the two grease fittings on the faceplate and one grease fitting on the end of the drive roll. (*See Figure 23.*) Add grease until a small amount pushes out (at the ends of the gib plate and the end of the drive knurl).

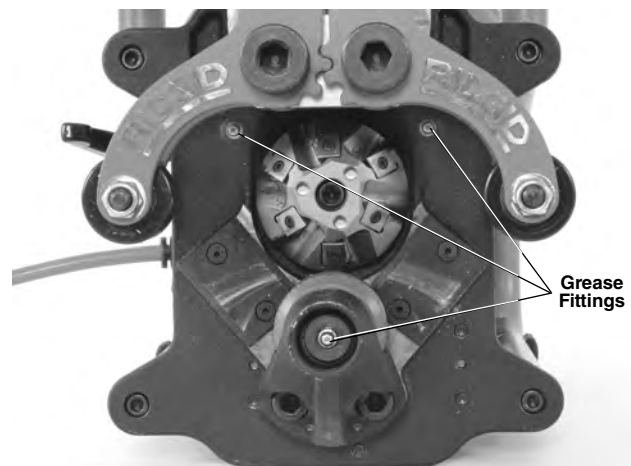


Figure 23 – Grease Fittings

Rotating/Replacing Cutter Inserts

If the cutting edges are dull, worn or chipped, cutter inserts will need to be rotated or changed. Increased cutting time is an indication of cutter insert wear. Use care when handling inserts. Do not allow the inserts to touch each other or any other hard surface, they can be chipped or damaged.

1. With the cord unplugged, open the swing arms using the clamp screw. Inserts can be rotated/replaced with cutter head on the beveller.

- Using the supplied T15 insert wrench, remove the screws and inserts from the cutter head. If needed, use the spanner wrench to turn the cutter head (Figure 24, 25A).
- Inspect the insert mounting pockets and the insert screws for damage. Do not use damaged parts. Make sure mounting pockets are clean and free of debris.
- Either install a new set of inserts or rotate the existing inserts (cutter inserts have 4 cutting edges) to expose an unused cutting edge in the cutting position. Do not mix new and used cutting edges – all cutting edges should be changed at the same time. **Only use RIDGID inserts and insert screws. Other inserts or screws may cause injury or tool damage.** Place a small amount of anti-seize grease on the screw and re-install. Securely tighten the screw with the supplied wrench. Do not over tighten. When inserts are changed, you may notice a slight amount of vapor or smoke during the first few bevels. This is not a cause for concern.



Figure 24 – Replacing Cutter Inserts

Changing Cutter Head

Cutter Heads need to be changed for different bevel angles. Only use the RIDGID cutter heads made for the beveller. Other cutter heads may cause injury or tool damage.

- With the cord unplugged, open the swing arms using the clamp screw. Insert the provided spanner wrench in the holes on the end of the cutter head to prevent rotation.
- Using a $\frac{5}{16}$ " hex wrench, remove the socket head cap screw that holds the Cutter Head in place (Figure 25A).
- Carefully remove the cutter head. Watch for sharp edges.
- Inspect mounting area and cutter head for damage or debris. Do not use damaged parts.
- When replacing the cutter head, make sure it sits squarely on the spindle, with the slots in the cutter head engaging the drive pins (Figure 25B). Securely tighten socket head cap screw using the hex wrench and spanner wrench supplied.

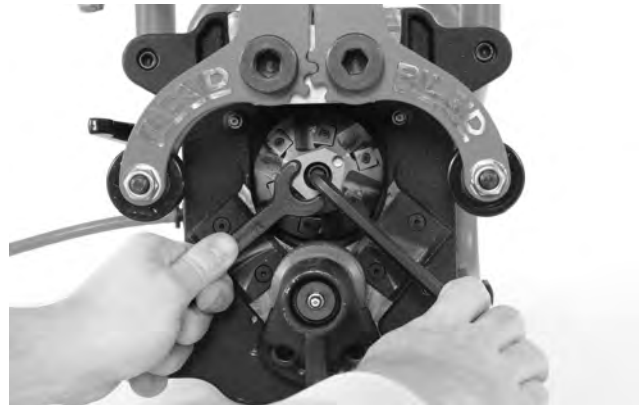


Figure 25A – Changing Cutter Heads

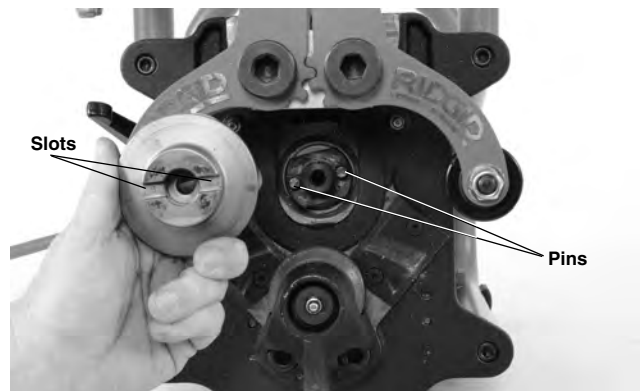


Figure 25B – Replacing Cutter Heads

Replacing Carbon Brushes

Check the motor brushes every six months and replace when worn to less than $\frac{1}{2}$ " (13 mm).

- To access the motor, remove the 4 bolts holding the frame to the face plate and remove the frame (Figure 1).
- Remove four screws holding the motor cover and remove cover.
- Using a pair of pliers, pull the motor brush housings straight out. Disconnect the electrical connector. (See Figure 26.)

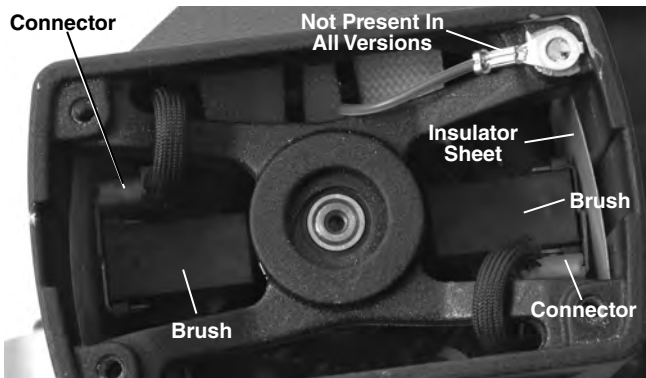


Figure 26 – Brush Placement - Motor Cover Removed

- 4a. Inspect brushes if less than 1/2" (13 mm) long, replace brushes as a set.
- b. Inspect the commutator for wear. If excessively worn, have tool serviced.
5. Depress the brush into the holder and insert into the motor housing. Firmly push down on brush housing and make sure it snaps in place. Inspect to make sure insulator sheets are properly positioned between brush holder and housing. Attach the connector and replace the motor cover.
6. Securely install the frame to the beveller.

Breaker

The beveller is equipped with a breaker (*Figure 1*) that will trip with excessive current draw. If this should happen, unplug the beveller. Using the instructions, remove the beveller from the work piece and inspect for the beveller for damage. If undamaged, press the breaker button to reset. If the breaker will not reset, allow beveller to cool for 15 minutes. Resume process starting with Inspection.

Wear Plates

If wear plates wear more than 0.03" (0.8 mm), replace.

Gib Plate Adjustment

If experiencing excessive vibration or tracking issues, the gib plate may need to be adjusted. To adjust:

1. Loosen the gib screw.
2. Place the cutter feed screw approximately at the middle of its travel.
3. Loosen the gib plate jam nuts with a 3/8" wrench.
4. Using a 5/32" hex key, tighten the gib plate set screws equally (same number of turns) until tight. Loosen each set screw 1/2 turn.
5. While holding set screws in place with the hex key, tighten the jam nuts (*Figure 27*).

6. Lubricate the gib plates and cycle the cutter feed screw through its range several times. The parts should move smoothly with no looseness or binding. If needed repeat the adjustment process.

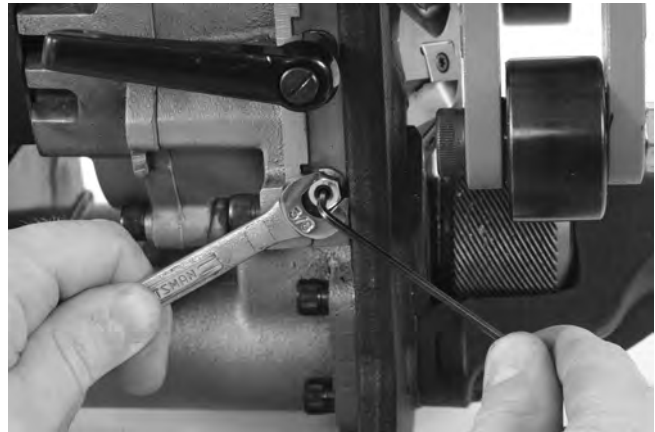


Figure 27 – Gib Plate Adjustment

Optional Equipment

⚠ WARNING

To reduce the risk of serious injury, only use equipment specifically designed and recommended for use with the RIDGID Model B-500 Transportable Pipe Beveller, such as those listed below.

Catalog No.	Description
48863	37 1/2° Cutter Head
48858	30° Cutter Head
48868	45° Cutter Head
48873	Pack Of 6 Cutter Inserts
48883	Anti-Seize Grease – 1 Tube
48888	Torx Wrench T15/S7
48893	Spanner Wrench
48898	5/16" Hex Wrench
55023	Model TBM-36 Adapter

Further information on accessories specific to this tool can be found in the RIDGID catalog and online at RIDGID.com and RIDGID.eu

Machine Storage

⚠ WARNING The Model B-500 Transportable Beveller must be kept indoors or well covered in rainy weather. Store the machine in a locked area that is out of reach of children and people unfamiliar with bevellers. This machine can cause serious injury in the hands of untrained users.

Service And Repair

⚠ WARNING

Improper service or repair can make machine unsafe to operate.

The “*Maintenance Instructions*” will take care of most of the service needs of this machine. Any problems not addressed by this section should only be handled by an authorized RIDGID service technician.

Tool should be taken to a RIDGID Authorized Independent Service Center or returned to the factory. Only use RIDGID service parts.

For information on your nearest RIDGID Authorized Independent Service Center or any service or repair questions:

- Contact your local RIDGID distributor.
- Visit RIDGID.com to find your local RIDGID contact point.
- Contact Ridge Tool Technical Service Department at rttechservices@emerson.com, or in the U.S. and Canada call (800) 519-3456.

Disposal

Parts of the Model B-500 Beveller contain valuable materials and can be recycled. There are companies that specialize in recycling that may be found locally. Dispose of the components in compliance with all applicable regulations. Contact your local waste management authority for more information.



For EC Countries: Do not dispose of electrical equipment with household waste!

According to the European Guideline 2012/19/EU for Waste Electrical and Electronic Equipment and its implementation into national legislation, electrical equipment that is no longer usable must be collected separately

and disposed of in an environmentally correct manner.

Modèle B-500

Machine à biseauter les tuyaux transportable



AVERTISSEMENT

Familiarisez-vous avec ce mode d'emploi avant d'utiliser l'appareil. Tout manque de compréhension ou de respect des consignes ci-après augmenterait les risques de choc électrique, d'incendie et/ou de graves lésions corporelles.

Machine à biseauter les tuyaux transportable modèle B-500

Enregistrez ci-dessous le numéro de série indiqué sur la plaque signalétique de l'appareil.

N° de
série

Table des matières

Fiche d'enregistrement du numéro de série de la machine	19
Symboles de sécurité.....	21
Consignes de sécurité générales visant les appareils électriques	
Sécurité des lieux.....	21
Sécurité électrique	21
Sécurité individuelle	22
Utilisation et entretien des appareils électriques	22
Service après-vente	23
Consignes de sécurité spécifiques	
Sécurité de la machine à biseauter	23
Description, caractéristiques techniques, équipements de base	
Description	24
Caractéristiques techniques	25
Équipements de base	25
Icônes	25
Inspection préalable.....	26
Consignes de préparation et d'utilisation de la machine.....	26
Préparation du tuyau	27
Configuration avec pièce fixe/machine mobile	28
Configuration avec machine fixe/tuyau rotatif.....	28
Le biseautage	30
Entretien	
Nettoyage	34
Lubrification	34
Rotation et remplacement des lames de coupe.....	34
Changement des têtes de coupe	35
Remplacement des balais	35
Coupe-circuit	36
Plaques d'usure	36
Réglage de la clavette	36
Accessoires	37
Stockage de la machine.....	37
Révisions et réparations	37
Recyclage	37
Déclaration de conformité CE	Recto de la page de garde
Garantie à vie	Page de garde
*Traduction de la notice originale	

Symboles de sécurité

Les symboles et mots clés utilisés à la fois dans ce mode d'emploi et sur l'appareil lui-même servent à signaler d'importants risques de sécurité. Ce qui suit permettra de mieux comprendre la signification de ces mots clés et symboles.



Ce symbole sert à vous avertir de risques d'accident potentiels. Le respect des consignes qui le suivent vous permettra d'éviter les risques d'accident grave ou potentiellement mortel.



DANGER Le terme DANGER signifie une situation dangereuse qui, faute d'être évitée, provoquerait la mort ou de graves blessures corporelles.



AVERTISSEMENT Le terme AVERTISSEMENT signifie une situation dangereuse potentielle qui, faute d'être évitée, serait susceptible d'entraîner la mort ou de graves blessures corporelles.



ATTENTION Le terme ATTENTION signifie une situation dangereuse potentielle qui, faute d'être évitée, serait susceptible d'entraîner des blessures corporelles légères ou modérées.



AVIS IMPORTANT Le terme AVIS IMPORTANT indique des informations concernant la protection des biens.



Ce symbole indique la nécessité de bien se familiariser avec la notice d'emploi avant d'utiliser ce matériel. La notice d'emploi renferme d'importantes consignes de sécurité et d'utilisation du matériel.



Ce symbole impose le port systématique de lunettes de sécurité à coïlères lors de la manipulation ou utilisation de ce matériel afin de limiter les risques de lésion oculaire.



Ce symbole signale un risque de choc électrique.



Ce symbole signale un risque de coupure des mains des doigts ou autres parties du corps en cas de contact avec un alésoir, une brosse rotative ou autre mécanisme.



Ce symbole signale un risque de blessure en cas de renversement de l'appareil.



Ce symbole interdit l'utilisation d'une perceuse, d'une clé choc ou autre système d'entraînement sur cette machine.

Consignes générales de sécurité applicables aux appareils électriques*

⚠ AVERTISSEMENT

Familiarisez-vous avec l'ensemble des consignes de sécurité et d'utilisation, les graphiques et caractéristiques techniques du manuel fourni avec l'appareil. Le non-respect de l'ensemble des consignes suivantes augmenterait les risques de choc électrique, d'incendie et/ou de grave blessure corporelle.

Conservez l'ensemble des consignes de sécurité et d'utilisation pour future référence !

Le terme « appareil électrique » utilisée dans les consignes de sécurité s'applique à la fois aux appareils électrique sur secteur et ceux à piles.

Sécurité des lieux

- **Assurez-vous de la propreté et du bon éclairage des lieux.** Les chantiers encombrés ou mal éclairés sont une invitation aux accidents.

- **N'utilisez pas d'appareils électriques en présence de substances volatiles telles que liquides, gaz ou poussières combustibles.** Ce type de matériel risque de produire des étincelles susceptibles d'enflammer les poussières et émanations combustibles.
- **Eloignez les enfants et les curieux lors de l'utilisation des appareils électriques.** Les distractions risquent de vous faire perdre le contrôle de l'appareil.

Sécurité électrique

- **La fiche du cordon d'alimentation de l'appareil doit être adaptée à la prise de courant utilisée. Ne jamais utiliser d'adaptateur sur un appareil électrique avec terre.** L'emploi de fiches non modifiées et de prises appropriées limitera les risques de choc électrique.
- **Évitez tout contact avec des objets reliés à la terre tels que canalisations, radiateurs, cuisinières et réfrigérateurs.** Tout contact avec la terre augmenterait les risques de choc électrique.
- **N'exposez pas l'appareil à la pluie ou aux intem-**

* Le texte utilisé dans les « Consignes générales de sécurité applicables aux appareils électriques » de ce manuel est obligatoirement tiré directement de la norme UL/SCA/EN 62841 applicable. Celle-ci couvre les normes de sécurité générales applicables à de nombreux types d'appareil électrique, dont certaines peuvent ne pas être applicables dans le cas présent.

péries. Toute pénétration d'eau à l'intérieur d'un appareil électrique augmenterait les risques de choc électrique.

- **Ne maltraitez pas le cordon d'alimentation de l'appareil. Ne jamais porter, tirer ou débrancher l'appareil par son cordon d'alimentation.** Les cordons d'alimentation endommagés ou entortillés augmentent les risques de choc électrique.
- **Lors de l'utilisation d'un appareil électrique à l'extérieur, prévoyez une rallonge électrique appropriée.** Les rallonges électriques prévues pour une utilisation à l'extérieur limitent les risques de choc électrique.
- **Lorsque l'utilisation d'un appareil électrique dans un lieu humide est inévitable, prévoyez une alimentation équipée d'un disjoncteur différentiel.** L'utilisation d'un disjoncteur différentiel limite les risques de choc électrique.

Sécurité individuelle

- **Soyez attentif, restez concentré et faites preuve de bon sens lors de l'utilisation de ce type d'appareil. Ne jamais utiliser ce matériel lorsque vous êtes fatigué ou sous l'influence de drogues, de l'alcool ou de médicaments.** Lors de l'utilisation d'un appareil électrique, un instant d'inattention risque d'entraîner de graves lésions corporelles.
- **Prévoyez les équipements de protection individuelle appropriés. Portez systématiquement une protection oculaire.** Selon le cas, le port d'un masque à poussière, de chaussures de sécurité antidérapantes, du casque ou d'une protection auriculaire peut aider à limiter les risques de lésion corporelle.
- **Évitez les démarrages accidentels. Assurez-vous que l'interrupteur se trouve en position OFF (Arrêt) avant de brancher l'appareil, d'y introduire un bloc-piles ou de le porter.** Le fait de porter un appareil électrique avec son doigt sur la gâchette ou de l'alimenter lorsque son interrupteur est en position ON (Marche) est une invitation aux accidents.
- **Retirez toute clé ou dispositif de réglage éventuel avant de mettre l'appareil en marche.** Une clé ou tout autre dispositif de réglage engagé sur un élément mécanique pourrait provoquer un accident.
- **Ne vous mettez pas en porte-à-faux. Maintenez une bonne assiette et un bon équilibre à tout moment.** Cela assurera un meilleur contrôle de l'appareil en cas d'imprévu.
- **Habillez-vous de manière appropriée. Ne portez ni accessoires, ni bijoux. Eloignez vos cheveux, vos**

vêtements et vos gants des mécanismes lorsque l'appareil fonctionne. Les foulards, les bijoux et les cheveux longs risquent d'être entraînés par les mécanismes en rotation.

- **Lorsque l'appareil est équipé d'un dispositif de raccordement à un système d'extraction et de récupération de poussière, assurez-vous que le système en question est correctement raccordé et utilisé.** La récupération de poussière sert à limiter les risques sanitaires associés à la présence de poussière.
- **Ne laissez pas la familiarité issue de l'utilisation fréquente d'un appareil vous rendre complaisant au point de négliger les principes de sécurité de base.** Le moindre faux pas peut se transformer en accident grave dans une fraction de seconde.

Utilisation et entretien de l'appareil

- **Ne pas forcer l'appareil. Prévoyez l'appareil le mieux adapté aux travaux envisagés.** Un appareil adapté produira de meilleurs résultats et un meilleur niveau de sécurité lorsqu'il fonctionne au régime prévu.
- **Ne pas utiliser d'appareil dont l'interrupteur marche/arrêt ne fonctionne pas correctement.** Tout appareil qui ne peut pas être contrôlé par son interrupteur est considéré dangereux et doit être réparé.
- **Débrancher l'appareil et/ou retirez son bloc-piles avant tout réglage, remplacement d'outils ou stockage.** De telles mesures préventives aideront à limiter les risques de démarrage accidentel de l'appareil.
- **Ranger tout appareil non utilisé hors de la portée des enfants. L'utilisation de cet appareil doit être exclusivement réservé à du personnel compétent et familiarisé avec ce manuel.** Ce type d'appareil peut devenir dangereux entre les mains d'un novice.
- **Assurer l'entretien approprié de l'appareil. S'assurer de l'absence d'éléments grippés ou endommagés, voire toute autre anomalie susceptible de nuire au bon fonctionnement et à la sécurité de l'appareil. Ne pas utiliser d'appareil endommagé avant sa réparation.** De nombreux accidents sont le résultat d'appareils mal entretenus.
- **Assurer l'affûtage et la propreté des outils de coupe.** Des outils de coupe correctement entretenus et affûtés sont moins susceptibles de se gripper et sont plus faciles à contrôler.
- **Utilisez cet appareil électrique, ses accessoires, ses mèches, etc. selon les consignes ci-présentes, tout en tenant compte des conditions d'intervention et du type de travail envisagé.** L'emploi d'un

appareil électrique à des fins autres que celles prévues pourrait entraîner une situation dangereuse.

- **Assurer la parfaite propreté de poignées et autres points de prise-en-main de l'appareil.** Des poignées et points de prise-en-main encrassés ne permettront pas de manipuler et contrôler l'appareil de manière appropriée en cas d'imprévu.

Service après-vente

- **Confiez la révision de tout appareil électrique à un réparateur qualifié se servant exclusivement de pièces de rechange identiques aux pièces d'origine.** Cela assurera la sécurité opérationnelle de l'appareil.

Consignes de sécurité spécifiques

⚠ AVERTISSEMENT

La section suivante contient d'importantes consignes de sécurité visant ce type d'appareil en particulier.

Afin de limiter les risques de choc électrique et autres lésions corporelles graves, familiarisez-vous avec celles-ci avant d'utiliser la machine à biseauter les tuyaux transportable modèle B-500.

CONSERVEZ CES CONSIGNES !

Gardez cette notice à portée de main de tout utilisateur éventuel.

Sécurité de la machine à biseauter

- **Portez systématiquement une protection oculaire et auriculaire.** Les outils de coupe risquent de se briser ou d'éclater. Les opérations de coupe elles-mêmes produisent des copeaux susceptibles d'être projetés vers les yeux, et leur niveau sonore élevé peut éventuellement endommager l'ouïe.
- **Prévoyez les équipements de protection individuelle appropriés.** Le cas échéant, le port d'une visière intégrale, de manches longues, de chaussures de sécurité, du casque et autres dispositifs appropriés limitera les risques de blessure.
- **Ne pas porter de vêtements trop amples lors de l'utilisation de cette machine. Gardez vos manches et vos blousons boutonnés.** Ne vous inclinez pas sur la machine. Vos vêtements risqueraient d'être entraînés dans le mécanisme, et vous avec.
- **Eloignez les curieux de la zone de travail. Etablissez un périmètre de barrières ou de barricades d'au moins 6 pieds (2 m) autour de votre chantier.** La pro-

jection de copeaux ou d'outils de coupe brisés risque d'occasionner des blessures au-delà de la zone de travail immédiate. La présence de barrières ou de barricades limitera les risques d'accident.

- **Un seul individu doit contrôler à la fois le processus de biseautage et l'interrupteur Marche/Arrêt de la machine.** Seul cet individu doit se trouver dans la zone de travail lorsque la machine tourne. Cela limitera les risques d'accident.
 - **Assurez le soutien approprié à la fois de l'ouvrage et de la machine à biseauter. Vérifiez le montage approprié de la machine sur l'ouvrage.** Cela limitera les risques de contusion et d'écrasement en cas de renversement de la machine et/ou du tuyau.
 - **Ne jamais démarrer la machine à biseauter lorsque ses lames sont en contact avec l'ouvrage. Attendez que la tête de coupe ait atteint son plein régime avant de l'engager progressivement contre l'ouvrage.** Si la machine démarre avec ses lames en contact avec l'ouvrage, elle risque de se gripper, de sauter ou d'être éjecté de l'ouvrage.
 - **Eloignez vos mains de la tête de coupe en rotation. Attendez l'arrêt complet du mécanisme avant de manipuler l'appareil ou le tuyau.** Cela limitera les risques d'enchevêtrement.
 - **Ne jamais utiliser de système d'entraînement (perceuse, clé choc, etc.) pour mouvoir la machine à biseauter. Celle-ci doit être utilisée exclusivement manuellement.** L'utilisation d'un système d'entraînement mécanique augmenterait les risques d'accident.
 - **Évitez de respirer la poussière produite lors du biseautage des tuyaux.** Selon leur composition chimique, certaines de ces poussières peuvent renfermer des cancérigènes, provoquer des malformations congénitales ou entraîner de graves lésions corporelles. Renseignez-vous sur la composition du tuyau et de son revêtement éventuel (peinture au plomb, etc.) afin de prévoir la protection respiratoire appropriée.
- Les risques sanitaires varient selon la fréquence d'exposition et la concentration de poussière. Pour limiter ces risques, travaillez dans un endroit bien ventilé et prévoyez une protection respiratoire conforme aux normes en vigueur (ANSI Z88.2, OSHA, etc.).
- **Ne jamais tenter de modifier la machine à biseauter ou l'utiliser pour d'autres applications.** Cela pourrait à la fois endommager l'appareil, endommager ses accessoires, et provoquer des lésions corporelles.
 - **Afin de limiter les risques d'accident grave, et avant d'utiliser cet appareil, lisez et assimilez les**

consignes ci-présentes, ainsi que celles visant l'ensemble du matériel et des matériaux utilisés.

Au besoin, une déclaration de conformité CE (formulaire № 890-011-320.10) accompagnera cette notice.

En cas de questions concernant ce produit RIDGID® veuillez :

- Consulter le distributeur RIDGID le plus proche ;
- Visiter le site RIDGID.com pour localiser le représentant RIDGID le plus proche ;
- Consulter les services techniques Ridge Tool par mail adressé à rtctechservices@emerson.com, ou bien en appelant le (800) 519-3456 à partir des Etats-Unis ou du Canada.

Description, caractéristiques techniques et équipements de base

Description

La machine à biseauter les tubes transportable RIDGID® modèle B-500 sert au biseautage pré-soudage de la majorité des tuyaux et tôles en acier et acier inoxydable d'une épaisseur maximale de 0.5" (13 mm). Ses têtes de coupe coniques à lames remplaçables (*Figure 24*) sont entraînées par un moteur découplé pour assurer, selon la tête de coupe utilisée, des biseaux de 30°, 37,5° ou 45°.

Le biseau est coupé en une seule passe, sans nécessiter de dressage ultérieur, de liquide de refroidissement, ni d'huile de coupe. La largeur du plat peut être fixée à de 0 à 0,188" (0 à 4,8 mm) par incréments de 1/32" (0,8 mm). La machine à biseauter s'engage sur l'ouvrage à l'aide de galets de guidage et d'un galet d'entraînement, et comprend une manivelle amovible qui permet de faire avancer la tête de coupe. Des voyants indiquent la vitesse d'avancement appropriée.

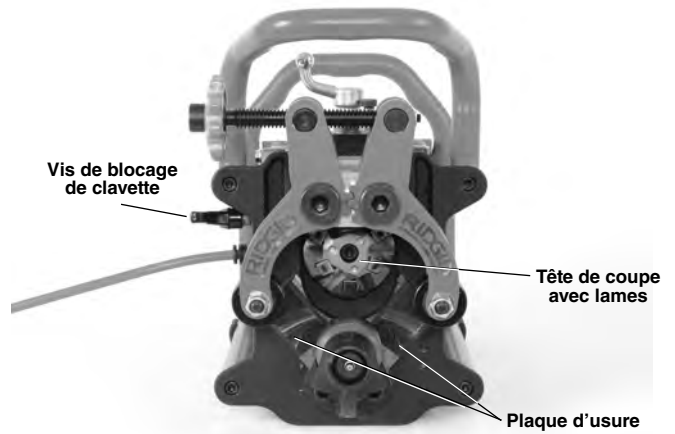
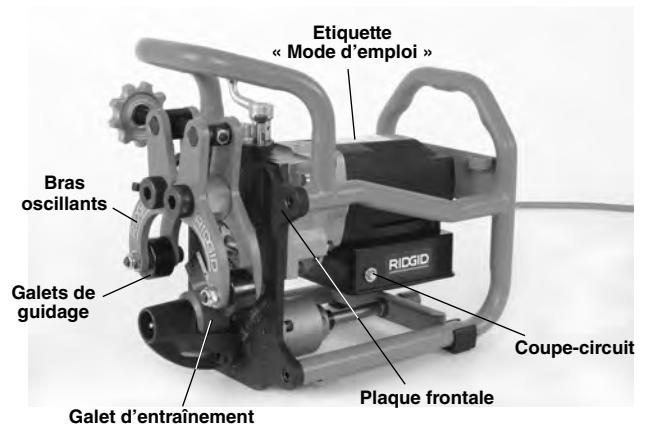
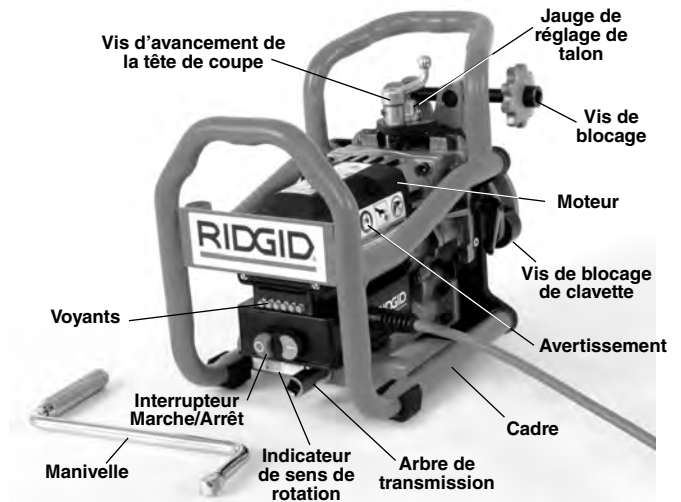


Figure 1 – Machine à biseauter B-500

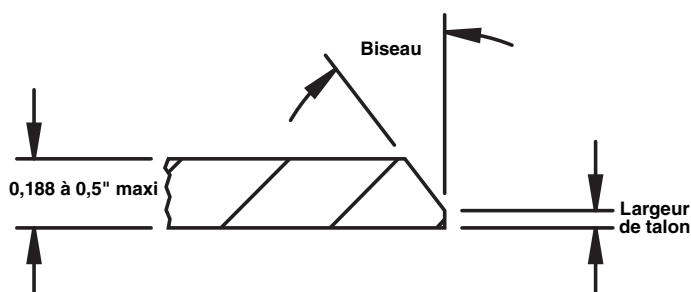


Figure 2 – Profil de biseautage

Caractéristiques techniques

Capacité	Minimum – tuyau IPS Ø 4" Maximum – tôle plate
Épaisseur paroi tuyau/tôle	Minimum – 0,188" (4,8 mm) Maximum – 0,50" (12,7 mm) Variation d'épaisseur maximale de 0,031" (0,8 mm)
Orientation de tuyau/tôle	Horizontale (Figure 6)
Angles de biseautage	37,5°, 30° et 45° (selon tête de coupe)
Largeur de talon	0 à 0,188" (4,8 mm) en incré- ments d'environ 1/32" (0,8 mm).
Matériaux*	La majorité des aciers, acier inoxydable

*La tête de coupe et les lames de cette machine à biseauter ont été optimisées pour les tuyaux en acier doux standards type A53. Le biseautage d'autres types de matériaux risque de réduire la longévité escomptée des couteaux.

*La qualité de biseautage dépend de plusieurs facteurs, notamment le type, la composition chimique et dureté du métal, l'importance du biseau, etc. Dans certains cas, le biseau désiré sera impossible à obtenir ou ne pourra pas être obtenu sans risque d'endommager les couteaux. Consultez les services techniques de Ridge Tool en cas de doute sur les possibilités de biseautage d'une matière particulière.

Fonctionnement à vide

Vitesse de rotation.....950/min

Moteur :

Type	Universel
Puissance	1,2 CV
Alimentation	120 V, 12,5 A, 50/60 Hz 230 V, 6,5 A, 50/60 Hz

Dimensions :

Hauteur	13,3" (338 mm)
Longueur	15,8" (401 mm)
Largeur	11,5" (292 mm)
Poids	52,5 livres (23,8 kg) compris tête de coupe et manivelle

Pression sonore (L_{PA})* 92 dB(A), K=3

Puissance sonore (L_{WA})* 105 dB(A), K=3

* La pression sonore est établie selon un test standardisé sous la norme EN 62841-1.

- Les émissions sonores peuvent varier selon la localisation et l'utilisation spécifique du matériel.

- Les niveaux d'exposition sonore doivent être évalués au quotidien en fonction de chaque application, suivis des prises de mesures de sécurité appropriées applicables. L'évaluation des niveaux d'exposition sonore doit prendre en compte les périodes d'arrêt du matériel. Cela peut significativement réduire le niveau d'exposition au cours de la période de travail globale.

Équipements de base

La machine à biseauter les tuyaux transportable RIDGID® modèle B-500 est livrée avec les éléments suivants :

- Tête de coupe avec jeu de six couteaux (installés)
- Clé Torx T15 pour vis de retenue des couteaux
- Graisse anti-grippage pour vis de retenue des couteaux
- Clé à ergots de 1 po
- Clé Allen de 5/16 po
- Mode d'emploi



Figure 3 – Equipements de base

Icônes

- Marche
- Arrêt



Figure 4 – Plaque signalétique de la machine

La plaque signalétique de la machine à biseauter modèle B-500 est située sur le flanc du moteur. Les 4 derniers chiffres représentent le mois et l'année de sa fabrication.

AVIS IMPORTANT Le choix des matériaux et des méthodes de raccordement et de façonnage appropriés restent la responsabilité du concepteur et/ou de l'installateur du réseau. La sélection de matériaux ou de méthodes inadaptes pourrait entraîner la défaillance du réseau.

L'acier inoxydable, de même que les autres matériaux anticorrosion, risque d'être contaminé durant les processus d'installation, de raccordement et de façonnage. Une telle contamination pourrait entraîner la corrosion et la défaillance prématurée du réseau. Il convient donc d'effectuer une étude soignée des conditions d'exploitation envisagées (composition chimique et température du milieu, etc.) avant toute tentative d'installation (*Se reporter à l'AVIS IMPORTANT sous le chapitre Préparation et utilisation de la machine*).

Inspection préalable

⚠ AVERTISSEMENT



Examinez la machine à biseauter avant chaque utilisation afin de corriger toute anomalie éventuelle et limiter les risques de choc électrique, enchevêtrement, écrasement et autres blessures graves, ainsi que pour éviter d'endommager la machine elle-même.

1. Assurez-vous que la machine à biseauter est débranchée, puis appuyez sur la touche « Arrêt ».
2. Éliminez toutes traces d'huile, de cambouis et de copeaux qui pourraient se trouver sur la machine, et notamment sur ses poignées et commandes. Cela facilitera l'inspection et assurera une meilleure prise en main de la machine à biseauter. Nettoyez et entretenez la machine selon les consignes du chapitre « Entretien ».
3. Examinez la machine selon les points suivants :
 - Le cordon d'alimentation et sa fiche pour signes de détérioration ou de modification.
 - L'assemblage approprié, le niveau d'entretien et l'intégralité de la machine.
 - La présence d'éléments endommagés, usés, manquants, désalignés ou grippés, voire autres signes de détérioration de la machine.
 - La propreté et le bon état de la molette d'entraînement. Au besoin, nettoyez-la à l'aide d'une brosse métallique. Les molettes d'entraînement usées ou

encrassées peuvent provoquer le dérapage et le déportement de la machine en cours d'utilisation. Les galets et molettes encrassés peuvent provoquer la contamination ferreuse de l'acier inoxydable.

- La présence et lisibilité de l'ensemble des étiquettes apposées sur la machine (*Figure 1*).
 - Le serrage approprié de l'ensemble de toute quincaillerie et de la tête de coupe.
 - La rotation en sens horaire (exclusivement) de l'arbre d'entraînement comme indiqué sur l'étiquette.
 - Signes d'usure, de déformation, d'effritement ou autre détérioration des couteaux de la tête de coupe, ainsi que l'affixation des couteaux. Des couteaux émoussés, endommagés ou desserrés peuvent endommager l'outil, produire des biseaux de mauvaise qualité, et augmenter les risques d'accident.
 - Toute autre condition susceptible de nuire au fonctionnement normal et à la sécurité de la machine.
- Toute anomalie éventuelle devra être corrigée avant l'utilisation future de l'outil.

4. Examinez et entretenez tout autre matériel utilisé selon les consignes correspondantes afin d'assurer son bon fonctionnement.

Préparation et utilisation de la machine

⚠ AVERTISSEMENT



Porter systématiquement une protection oculaire et auriculaire appropriée. Les outils de coupe peuvent se briser ou éclater. Le biseautage produit des copeaux susceptibles d'être projetés vers les yeux, et un niveau sonore capable d'endommager l'ouïe à terme.

Ne pas porter de vêtements trop amples lors de l'utilisation de cette machine. Garder les manches et blousons boutonnés. Ne pas se pencher sur la machine en cours d'opération. Les vêtements risquent de s'entortiller dans le mécanisme, et d'entraîner l'opérateur.

Éloigner les curieux de la zone de travail. Établissez un périmètre de barrières ou de barricades d'au moins 6 pieds (2 m) autour de votre chantier. La projection de copeaux ou d'outils de coupe brisés risque d'occasionner des blessures au-delà de la zone de travail immédiate. La présence de barrières ou de barricades limitera les risques d'accident.

Un seul individu doit contrôler à la fois le processus de biseautage et l'interrupteur Marche/Arrêt de la

machine. Seul cet individu doit se trouver dans la zone de travail lorsque la machine tourne. Cela limitera les risques d'accident.

Assurer le soutien approprié à la fois de la pièce à biseauter et de la machine. Vérifiez le montage approprié de la machine sur la pièce. Cela limitera les risques de contusion et d'écrasement en cas de renversement de la machine et/ou du tuyau.

Ne jamais démarrer la machine à biseauter lorsque ses lames sont en contact avec la pièce à biseauter. Attendez que la tête de coupe ait atteint son plein régime avant de l'engager progressivement contre la pièce. Si la machine démarre avec ses lames en contact avec la pièce, elle risque de se gripper, de sauter ou d'être éjectée.

Eloigner vos mains de la tête de coupe en rotation. Attendez l'arrêt complet du mécanisme avant de manipuler l'appareil ou le tuyau. Cela limitera les risques d'enchevêtrement.

Ne jamais utiliser de système d'entraînement (perceuse, clé choc, etc.) pour mouvoir la machine à biseauter. Celle-ci doit être utilisée exclusivement manuellement. L'utilisation d'un système d'entraînement mécanique augmenterait les risques d'accident.

Préparez et utilisez la machine à biseauter selon les consignes suivantes afin de limiter les risques de choc électrique, d'enchevêtrement, de contusion, d'écrasement et autres lésions, et d'éviter d'endommager la machine.

- Examinez les lieux pour :
 - Un éclairage suffisant.
 - La présence de liquides, émanations ou poussières combustibles. Le cas échéant, il sera nécessaire d'identifier et d'éliminer leur source avant toute intervention. Dans la mesure où cette machine n'est pas blindée, elle risque de produire des étincelles.
 - Une plateforme dégagée, de niveau, stable et sèche pour l'installation du matériel et de l'opérateur.
 - Une prise électrique avec terre de tension appropriée. Les prises à trois orifices et celles à disjoncteur différentiel ne sont pas toujours effectivement reliées à la terre. En cas de doute, consultez un électricien.
 - Un passage dégagé jusqu'à la prise électrique qui permettra d'acheminer le cordon d'alimentation de la machine sans risquer de l'endommager.
- L'utilisation de cette machine à biseauter implique généralement l'emploi d'une rallonge électrique. Assurez-vous que celle-ci
 - Est en bonne condition.
 - Est équipée d'une prise avec terre adaptée au cordon d'alimentation de la machine.
 - Est prévue pour une utilisation à l'extérieur.
 - Est de section suffisante. Les rallonges d'un maximum de 50 pieds (15 m) de long doivent avoir des

conducteurs d'un minimum de 14 AWG (1,5 mm²). Celles de 50 à 100 pieds (15 à 30 m) doivent utiliser des conducteurs d'un minimum de 12 AWG (2,5 mm²).

Avec les mains sèches, branchez la rallonge électrique dans la prise. Acheminez la rallonge le long du passage dégagé prévu jusqu'à la machine à biseauter. Gardez toutes connexions au sec et surélevées. Laissez la rallonge excédentaire au pied de la machine afin qu'elle puisse suivre la rotation de la machine en configuration Pièce fixe/machine mobile (*Figures 20A et B*). N'y branchez pas encore la machine à biseauter.

- Assurez-vous que l'ensemble du matériel ait été préalablement inspecté.
- Eloignez les curieux en prévoyant des barrières ou barricades assurant un minimum de 6 pieds (2 m) de dégagement autour du tuyau et le machine à biseauter. Cela aidera à limiter les risques d'accident en cas de projection de copeaux.

Préparation des tuyaux

Examinez le tuyau à biseauter afin de vous assurer de la compatibilité de la machine à biseauter modèle B-500 en vue des travaux envisagés. Se reporter au chapitre *Caractéristiques techniques*.

Lors du biseautage des tuyaux, le faux équerre maximal admissible est de 0,062" (1,6 mm) (*Figure 5*). La machine suit le profil de l'extrémité du tuyau, sans assurer son équerrage. Lors du biseautage des tôles, le bord de la tôle doit être parfaitement rectiligne et sans courbes. Le bord biseauté résultant ne sera pas plus rectiligne que sa coupe initiale. Le biseautage d'un bord de tôle non rectiligne pourrait occasionner des problèmes de suivi et nuire à la qualité du biseautage.

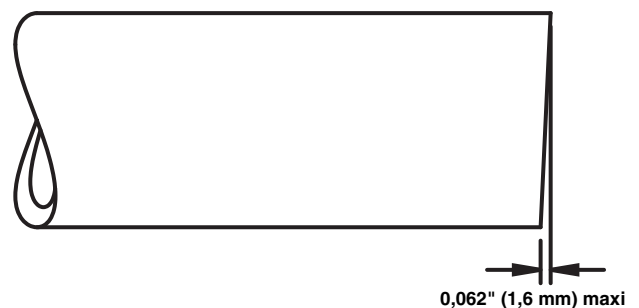


Figure 5 – Faux équerre maximal du tuyau

La machine à biseauter peut fonctionner sur des coupes effectuées à la tronçonneuse, à la scie ou au chalumeau. Avant d'entamer le biseautage, éliminez les résidus (scories, billes de soudure de plus de 1/32" (0,8 mm), bourrelets, etc.) des deux côtés du bord à biseauter et ce, sur une distance de 3" (75 mm) à partir du bord. Cela assurera la traction nécessaire à l'avancement de la machine à biseauter. Le cas échéant, éliminez les matières

grasses ou autres revêtements éventuels des deux surfaces afin d'assurer une meilleure traction de la machine à biseauter.

Il est nécessaire de disposer d'une longueur de tuyau rectiligne ou d'une surface plate sans obstruction d'un minimum de 3" (75 mm) à partir du bord à biseauter afin de permettre l'engagement de la machine à biseauter. Ne pas utiliser cette machine sur des objets courbés tels que coudes ou raccords.

AVIS IMPORTANT Afin d'éviter la contamination ferreuse des éléments en acier inoxydable, assurez-vous de la parfaite propreté des galets d'entraînement et de guidage. Nettoyez-les à l'aide d'une brosse en inox. Changez d'inserts ; prévoyez un jeu d'inserts réservés à l'acier inoxydable. Mieux encore, prévoyez une machine à biseauter réservée exclusivement au biseautage de l'inox.

AVIS IMPORTANT Ne jamais monter la machine à biseauter sur un élément raccordé à une soudeuse. Le cas échéant, le processus de soudage pourrait endommager les circuits électriques de la machine.

Configuration pièce fixe/machine mobile

Cette machine est prévue pour le biseautage des tuyaux et tôles en position horizontale. Elle peut aussi servir au biseautage des tuyaux positionnés au-delà de l'horizontale (Figure 6). Son utilisation en-delà de l'horizontale est à proscrire, car cela permettrait à la machine et aux copeaux de tomber sur l'utilisateur.

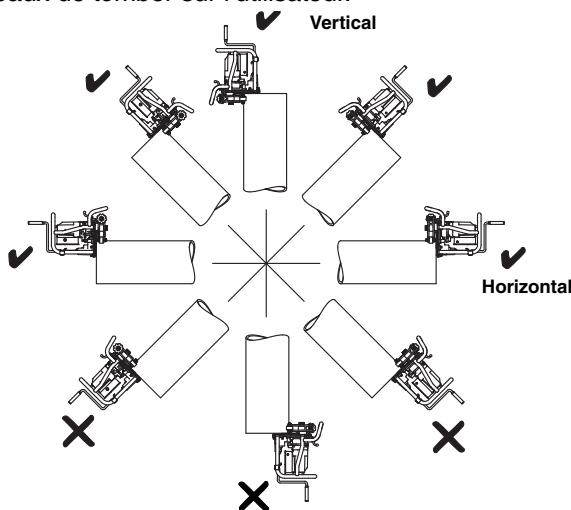


Figure 6 – Orientations de tuyau acceptables (✓) et inacceptables (✗)

Assurez-vous du soutien et de la parfaite stabilité de la pièce à biseauter. La pièce et son support doivent pouvoir soutenir le poids de la machine et supporter le couple développé par l'opération de biseautage sans bouger ou tourner. Lors de l'utilisation d'un étau à chaîne, assurez-vous qu'il est de taille suffisante et suffisamment stable

pour empêcher son renversement en cours d'opération. Prévoyez des porte-tubes adaptés lors du biseautage des tuyaux de grande longueur.

Lors du biseautage des tôles, il sera impossible de biseauter les derniers 6 pouces de sa longueur, car les deux galets de guidage doivent toujours être en contact avec la tôle afin de garder la machine en place (Figure 16).

Lors du biseautage sur chantier, assurez-vous de disposer de suffisamment de refuite pour permettre à la machine d'être positionnée et de se déplacer.

Configuration machine fixe/tuyau rotatif

L'adaptateur TBM-36 optionnel (Figure 7) permet de monter la machine à biseauter B-500 sur un étau à chaîne sur trépied RIDGID TRISTAND type 450 ou 460. Cette configuration a l'avantage de maintenir la machine en position fixe tandis que le tuyau tourne, permettant ainsi de biseauter des sections de tuyau plus courtes. Ceci peut servir au biseautage de tuyaux d'un diamètre maximal de 36" (90 cm).



Figure 7 – Adaptateur de machine à biseauter TBM-36

1. Inspectez et installez l'étau à chaîne portatif RIDGID® TRISTAND type 450 ou 460 selon les instructions fournies. Vous pouvez éventuellement ancrer la jambe arrière de l'étau à chaîne portatif TRISTAND afin d'augmenter sa stabilité. Ne pas ancrer les jambes avant, car cela pourrait empêcher le léger déplacement du trépied nécessaire au bon fonctionnement de la machine.
2. Positionnez le corps cylindrique de l'adaptateur entre les mâchoires en V de l'étau comme indiqué à la Figure 8. Introduisez la clé dans l'orifice de la mâchoire afin d'assurer son positionnement et sa stabilité.

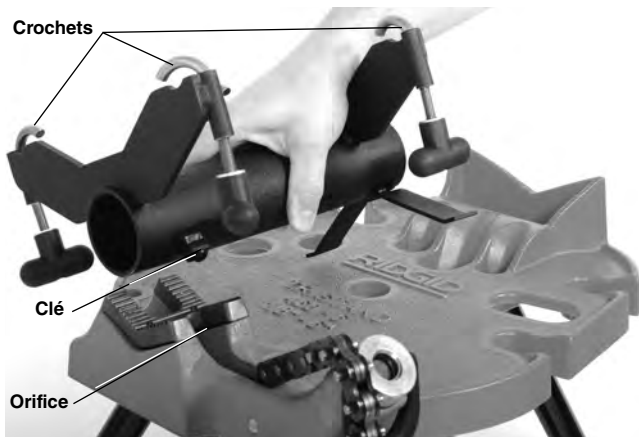


Figure 8 – Montage de l'adaptateur sur l'étau

- 3 Positionnez la chaîne de l'étau sur le corps de l'adaptateur, puis serrez-la à fond afin d'immobiliser l'adaptateur.
4. Desserrez les molettes des crochets de l'adaptateur complètement, puis tournez les crochets vers l'extérieur.
5. Positionnez la machine à biseauter sur l'adaptateur comme indiqué à la Figure 9.



Figure 9 – Securing Beveler to Adapter

6. Ramenez les crochets à l'aplomb du bâti de la machine, puis serrez les molettes (Figure 9).
7. Vérifiez la parfaite stabilité de trépied et du matériel.
8. Engagez la rallonge 1/2" de 10" fournie dans le carré de la machine à biseauter (Figure 10).
9. Lors du biseautage des tuyaux de moins de 12" (30 cm) de long et d'un poids inférieur à 50 livres (22 kg), il n'est pas nécessaire de prévoir de porte-tubes pour soutenir le tuyau tant que la machine à biseauter et l'étau portatif TRISTAND sont stables et bien arrimés. Le tuyau est positionné directement sur le galet d'entraînement et retenu par les galets de guidage (Figure 10).

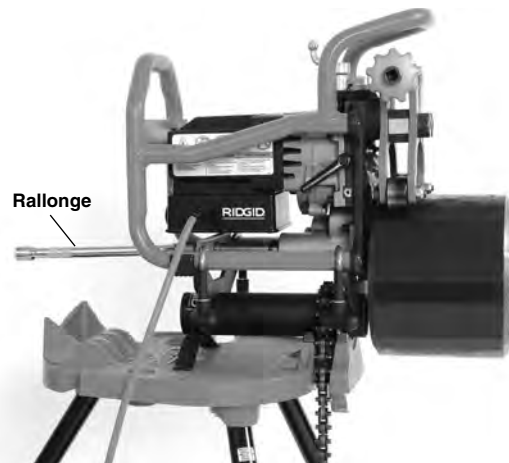


Figure 10 – Tuyau de moins de 12" de long et d'un poids inférieur à 50 livres sur machine fixe

Lors du biseautage des tuyaux de plus de 12" (30 cm) de long et de plus de 50 livres (22 kg), le tuyau doit être soutenu par des porte-tubes appropriés afin de limiter les risques de renversement et de chute du tuyau et du matériel. Les porte-tubes doivent être équipés de rouleaux afin de permettre la rotation du tuyau en cours de biseautage. Un manque de soutien suffisant, voire le soutien manuel du tuyau risque d'entraîner le renversement et la chute du tuyau et du matériel.

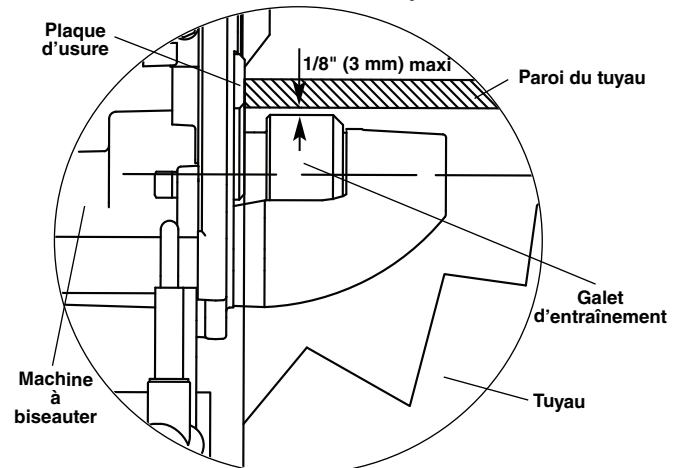


Figure 11 – Machine fixe, position du tuyau par rapport au galet d'entraînement (coupe sur tuyau avant engagement)

Alignez les porte-tube sur le galet d'entraînement de la machine à biseauter. Si possible, prévoyez toujours au moins deux porte-tubes. La surface intérieure du sommet du tuyau doit être au même niveau ou légèrement plus haut (jusqu'à 1/8" ou 3 mm) que le bord supérieur du galet d'entraînement de la machine, et ce, avant de l'engager (Figure 11). Le tuyau et le galet d'entraînement de la machine doivent être parallèles. Ne pas positionner la surface intérieure du

sommet du tuyau en-delà du niveau supérieur du galet d'entraînement, car cela pourrait nuire à la stabilité de l'ensemble et au tracé du biseautage.



Figure 12 – Machine fixe, tuyau court, un porte-tubes

Les tuyaux de faible longueur seront soutenus à la fois par le galet d'entraînement de la machine et un seul porte-tubes (Figure 12). Les tuyaux de grande longueur seront soutenus par de multiples porte-tubes comme indiqué à la Figure 13.

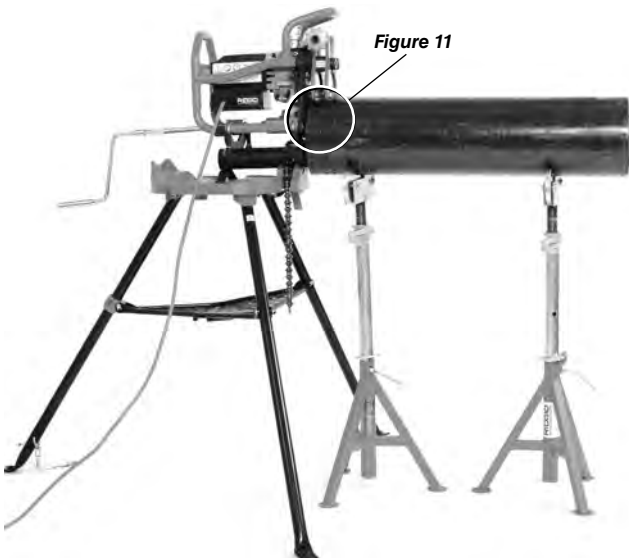


Figure 13 – Machine fixe, tuyau de grande longueur, porte-tubes multiples

L'installation et le cheminement éventuel du tuyau peuvent être vérifiés avant le biseautage. Suivant les instructions de biseautage, mais sans mettre la machine en marche, serrez la vis de blocage à la main, puis ajoutez $\frac{3}{4}$ de tour pour assurer la rétention du tuyau. Introduisez et tournez la manivelle pour faire tourner le tuyau. L'extrémité du tuyau devrait rester à fleur des plaques d'usure de la machine (Figure 15B) lorsque le tuyau tourne. Sinon, l'installation devra être reprise.

Processus de biseautage

La machine à biseauter portable B-500 peut servir selon deux configurations, soit avec la pièce en position fixe et la machine mobile (*Pièce fixe/machine mobile*), soit avec la machine montée sur l'adaptateur modèle TBM-36 et le tuyau en rotation (*Machine fixe/tuyau en rotation*). Reportez-vous aux consignes de préparation visant ces deux configurations.

En raison des variations dans les caractéristiques des matériaux, il convient d'effectuer systématiquement un biseau échantillon en début d'intervention et lors du changement d'angle de biseautage ou de section, qualité ou type de matériau

Le moteur de la machine à biseauter affiche un autocollant qui sert de guide sur le fonctionnement de base de l'appareil. Les étapes indiquées correspondent à celles décrites dans le présent chapitre. Cet autocollant n'est pas destiné à remplacer le mode d'emploi qui, lui, renferme toutes les informations nécessaires au bon fonctionnement de la machine.

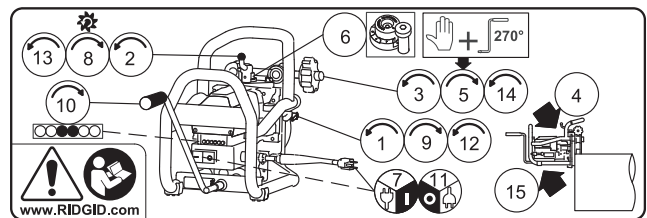


Figure 14 – Autocollant d'étapes de fonctionnement

1. Vérifiez que la vis de blocage de la clavette est bien desserrée.
2. Tournez la vis d'avancement de la tête de coupe en sens anti horaire afin de ramener la tête entièrement en arrière (éloignée du galet d'entraînement).
3. Tournez la vis de verrouillage des bras articulés afin de pouvoir les ouvrir suffisamment pour monter la machine sur la pièce à biseauter.
4. Pour amener la machine et la pièce à biseauter ensemble.

Pièce fixe/machine mobile

Vérifiez la bonne préparation de la machine et de la pièce à biseauter.

Prenez la machine à biseauter fermement en main, puis positionnez-la sur le tuyau avec ses galets de guidage à l'extérieur du tuyau (ou sur la face à biseauter de la tôle) et le galet d'entraînement à l'intérieur du tuyau (ou sur la face opposée de la tôle). Assurez-vous que les plaques d'usure de la machine arrivent à fleur de l'extrémité du tuyau ou du rebord de la tôle (Figure 15B). Ne pas heurter le tuyau ou la tôle avec la tête de coupe afin d'éviter d'endommager ses inserts. Tenez la machine à biseauter jusqu'à ce qu'elle soit entièrement engagée sur la pièce à biseauter.

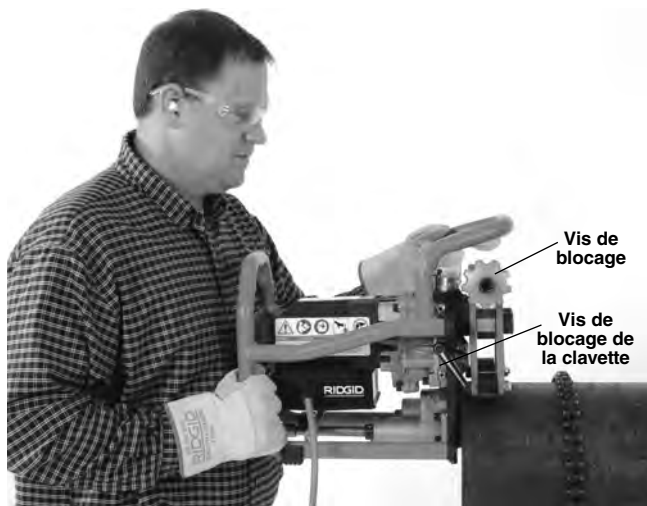


Figure 15A – Positionnement de la machine à biseauter sur le tuyau

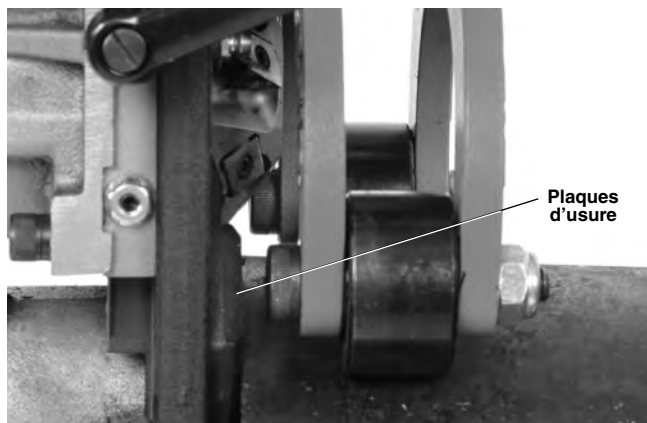


Figure 15B – Patin d'usure à fleur de l'extrémité du tuyau

Lors du biseautage des tôles, il sera impossible de biseauter les derniers 6 pouces de sa longueur, car les deux galets de guidage doivent toujours être en contact avec la tôle afin de garder la machine en place (Figure 16).

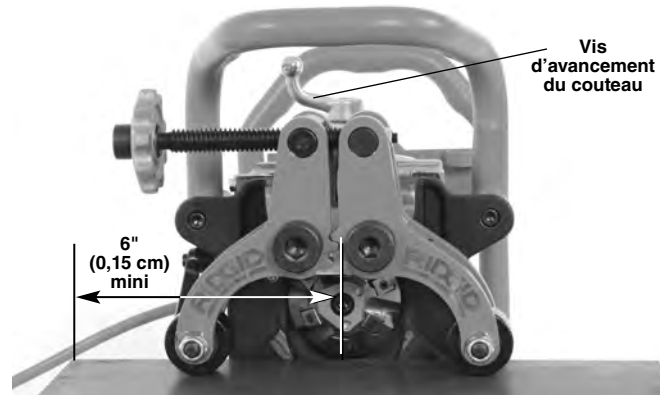


Figure 16A – Machine à biseauter montée sur tôle



Figure 16B – Montage de la machine à biseauter sur tôle

Machine fixe/tuyau en rotation

Vérifiez la préparation et l'installation de la machine à biseauter, des porte-tubes et du tuyau (se reporter aux Figures 10, 12 et 13).

Engagez le tuyau sur le galet d'entraînement de la machine. Assurez-vous que les plaques d'usure de la machine à biseauter arrivent bien à fleur de l'extrémité du tuyau ou du bord de la tôle. Ne pas heurter la tête de coupe avec la pièce afin d'éviter d'endommager les inserts. Soutenez bien le tuyau jusqu'à ce qu'il soit entièrement engagé sur la machine.

5. Serrez la vis de blocage manuellement, puis ajoutez-y $\frac{3}{4}$ de tour (270°) à l'aide de la manivelle fournie (Figure 17) afin de saisir la pièce entre les galets de guidage et le galet d'entraînement. Vérifiez que la machine est bien accrochée et qu'elle et la pièce sont stables. Retirez la manivelle. Ne pas laisser la manivelle sur la vis de blocage. Ne pas tenter de biseautage sans que la machine soit bien arrimée à la pièce.

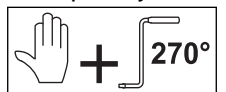




Figure 17A – Serrer la vis de blocage manuellement

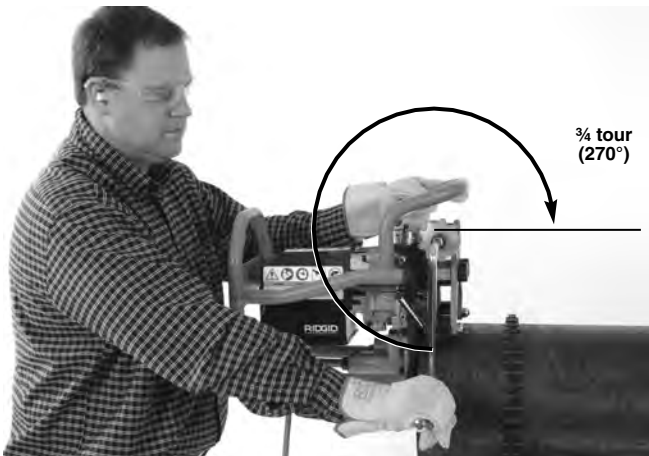


Figure 17B – Serrer la vis de blocage 3/4 tour (270°) de plus

6. Réglez la largeur du talon de biseautage voulue (Figure 18) à l'aide de la jauge de réglage de largeur de talon. Un réglage à « 0 » ne laissera aucun talon sur l'extrémité du tuyau. Chaque graduation de la jauge modifie la largeur du talon par approximativement 1/32" (0,8 mm). Graduation n° 1 ~ 0,03" (0,8 mm), graduation n° 2 ~ 0,06" (1,6 mm) etc. Alignez la graduation voulue avec la base de l'arrêt.

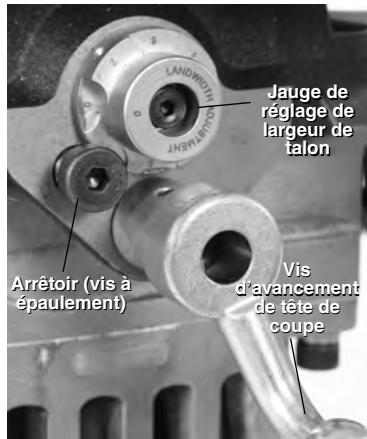


Figure 18 – Réglage de largeur de talon

7. Vérifiez que la tête de coupe est ramenée à fond et qu'elle ne touche pas la pièce. Avec les mains sèches, branchez la machine à biseauter sur une prise de

courant ou rallonge avec terre appropriée. Tous les témoins lumineux devraient alors s'allumer.

Tenez-vous en position de travail comme indiqué à la Figure 19.

- Tenez-vous derrière la machine, face à la manivelle, et à portée de son interrupteur Marche/Arrêt.
- Maintenez un bon équilibre de manière à ne pas avoir à vous pencher sur la machine.

Appuyez sur la touche « I » (Marche). Le témoin jaune devrait s'allumer dès que la machine atteint son plein régime.



Figure 19 – Position de travail appropriée

8. Tournez la vis d'avancement de la tête de coupe progressivement en sens horaire (Figure 18) pour entamer le biseautage jusqu'à ce que l'arrêt vienne à buter contre la jauge de réglage de largeur de talon. Ceci se fait sans huile de coupe ni liquide de refroidissement.
9. Serrez la vis de blocage de la clavette afin de maintenir la position de la tête de coupe (Figure 15). A noter que les couteaux risquent d'être endommagés si la vis de blocage de la clavette est desserrée.
10. Engagez la manivelle dans l'arbre de transmission, puis tournez-la en sens horaire de manière continue et sans interruption pour biseauter la pièce (Figure 20).

Le régime de rotation de la manivelle est un facteur déterminant dans la longévité des couteaux. Celui-ci est indiqué par les témoins LED au dos de l'appareil. Le témoin vert indique le régime approprié. Le témoin jaune indique un besoin de tourner la manivelle plus rapidement, tandis que le témoin rouge vous indique de ralentir (Figure 21).

La manivelle doit toujours tourner en sens horaire (vue du dos de la machine). Ne jamais tenter d'utiliser une perceuse électrique ou une clé choc pour mouvoir cette machine à biseauter – son avancement doit se faire exclusivement à la main. Ne pas

utiliser d'huile de coupe ou de liquide de refroidissement durant l'opération.

Dans certains cas, il y aura accumulation de copeaux entre la pièce et les galets de guidage. Dans la majorité des cas, les galets de guidage les franchiront sans encombre, outre une légère augmentation de résistance ressentie au niveau de la manivelle. Par contre, en cas de grippage de la machine ou besoin de retirer un excès de copeaux en cours de biseautage, éteignez l'outil et débranchez-le avant de retirer les copeaux ou déplacer la machine.



Figure 20A – Biseautage en cours (pièce fixe/machine mobile)



Figure 20B – Biseautage en cours (pièce fixe/machine mobile)



Figure 20C – Biseautage en cours (machine fixe/tuyau mobile)



Témoins lumineux

Témoins lumineux	Témoins éclairés	Condition
	Tous	Branché, désactivé
	Deux jaunes	Rotation de manivelle trop lente
	Un jaune / un vert	
	Deux verts	Vitesse de rotation de manivelle optimale
	Un vert / un rouge	
	Deux rouges	Vitesse de rotation de manivelle trop élevée

Figure 21 – Témoins lumineux

Contrôlez continuellement la position du cordon d'alimentation et le parcours de la machine. Assurez-vous que le cordon d'alimentation reste à l'écart de la tête de coupe. Assurez-vous que les plaques d'usure restent appuyées contre l'extrémité du tuyau ou de la tôle tout au long de l'opération. Arrêtez de tourner la manivelle et éteignez la machine (O) si :

- Les plaques d'usure s'éloignent de la pièce
- Les couteaux refusent d'entamer la pièce
- Le processus doit être interrompu pour une raison quelconque

Cela aidera à empêcher le déportement de la machine à biseauter. Reprenez le processus dès le départ pour continuer le biseautage.

Continuez de tourner la manivelle jusqu'à ce que le biseautage soit terminé.

11. En fin de biseautage, appuyez sur la touche « Arrêt » (O) et attendez l'arrêt complet de la tête de coupe avant de débrancher la machine de la rallonge électrique (machine mobile uniquement).
12. Desserrez la vis de blocage de la clavette pour libérer la tête de coupe.
13. Ramenez la tête de coupe complètement en arrière à l'aide de sa vis d'avancement.
14. Assurez-vous que la machine et la pièce sont sécurisés, puis desserrez la vis de blocage pour rabattre ses bras oscillants.
15. Séparez la machine à biseauter de la pièce. Faites attention aux bords tranchants de la pièce. Faites attention à ne pas laisser la tête de coupe heurter la pièce, car cela pourrait endommager ses couteaux.

Entretien

⚠ AVERTISSEMENT

Avant toute intervention ou réglage, appuyez sur la touche « Arrêt » de la machine à biseauter et vérifiez qu'elle est bien débranchée.

Portez systématiquement une protection oculaire.

Respectez les consignes d'entretien ci-après afin de limiter les risques de choc électrique, d'enchevêtrement et autres accidents.

Nettoyage

Après chaque intervention, servez-vous d'un chiffon doux et propre ou d'une brosse pour éliminer les copeaux éventuels, surtout dans les endroits de mouvement relatif tels que les bras oscillants, les rails en queue d'aronde et

la vis d'avancement. Éliminez toute trace de poussière ou de débris des orifices de ventilation du moteur.

Nettoyez le moletage du galet d'entraînement à l'aide d'une brosse métallique (Figure 22).



Figure 22 – Nettoyage du moletage du galet d'entraînement

Lubrification

Mensuellement, ou plus souvent si nécessaire, lubrifiez l'ensemble des mécanismes (vis d'avancement, vis de blocage, pivots, etc.) à l'aide d'une huile minérale légère. Essuyez toute huile résiduelle des surfaces exposées. Utilisez une graisse au lithium type EP (pression extrême) sur les deux graisseurs de la plaque frontale et le graisseur situé à l'extrémité du galet d'entraînement (Figure 23). Ajoutez de la graisse jusqu'à ce qu'il en ressort un peu des extrémités de la clavette et du galet d'entraînement.

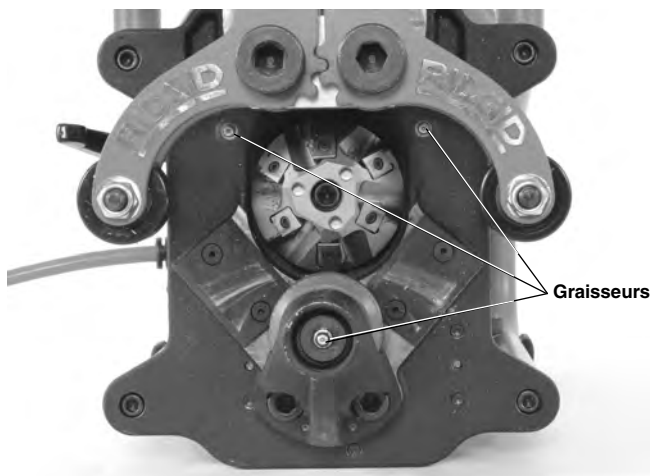


Figure 23 – Graisseurs

Rotation et remplacement des couteaux

Il sera nécessaire d'effectuer la rotation ou le remplacement des couteaux dès que ceux-ci deviennent émoussés, usés ou effrités. Une augmentation du temps de biseautage nécessaire est indicative de l'usure des couteaux. Faites attention lors de la manipulation des couteaux. Ne per-

mettez pas aux couteaux d'entrer en contact ou de heurter une surface dure, car cela pourrait les endommager.

1. Débranchez la machine, puis ouvrez ses bras oscillants à l'aide de la vis de blocage. Les couteaux peuvent être retirés avec la tête de coupe en place.
2. Retirez les vis et les couteaux de la tête de coupe à l'aide de la clé T15 fournie. Au besoin, servez-vous de la clé à ergots pour tourner la tête de coupe (Figures 24 et 25A).
3. Vérifiez l'état des logements de couteau et des vis correspondantes. Ne pas réutiliser d'éléments endommagés. Assurez-vous que les logements de couteau sont propres et dépourvus de débris.
4. Installez un nouveau jeu de couteaux ou retournez les couteaux existants afin d'exposer un tranchant nouveau (chaque couteau en a 4). Ne pas mélanger les tranchants usés et les tranchants neufs. Tous les tranchants doivent être changés en même temps. **Utilisez exclusivement des couteaux et de vis de retenue RIDGID. Les couteaux et vis d'autre provenance pourraient provoquer des accidents ou endommager la machine.** Mettez un peu de graisse anti-grippage sur les vis avant de les réinstaller. Serrez les vis à l'aide de la clé fournie. Ne pas serrer excessivement. Une fois les couteaux changés, il n'est pas inhabituel de voir s'évacuer un peu de vapeur ou de fumée lors des quelques biseautages suivants. Ceci n'a rien d'inquiétant.



Figure 24 – Remplacement des couteaux

Changement des têtes de coupe

Les têtes de coupe doivent être changées pour obtenir des biseaux d'angle différent. Utilisez exclusivement les têtes de coupe RIDGID prévues pour cette machine à biseauter. D'autres types de tête de coupe pourraient provoquer des accidents ou endommager la machine.

1. Avec la machine débranchée, ouvrez les bras oscillants à l'aide de la vis de blocage. Engagez la clé à ergots fournie dans les orifices de la tête de coupe afin de l'immobiliser.
2. Servez-vous de la clé Allen de 5/16" fournie pour retirer la vis 6-pans creuse qui retient la tête de coupe (Figure 25A).
3. Retirez la tête délicatement en faisant attention aux bords tranchants.
4. Examinez le logement et la tête de coupe pour signes de détérioration ou de débris. Ne pas réutiliser d'éléments endommagés.
5. Lors du remplacement d'une tête de coupe, assurez-vous qu'elle est carrément assise sur l'arbre et que ses orifices s'engagent bien sur les broches d'entraînement (Figure 25B). Réinstallez et serrez la vis 6-pans creuse de la tête à l'aide de la clé Allen et de la clé à ergots fournies.

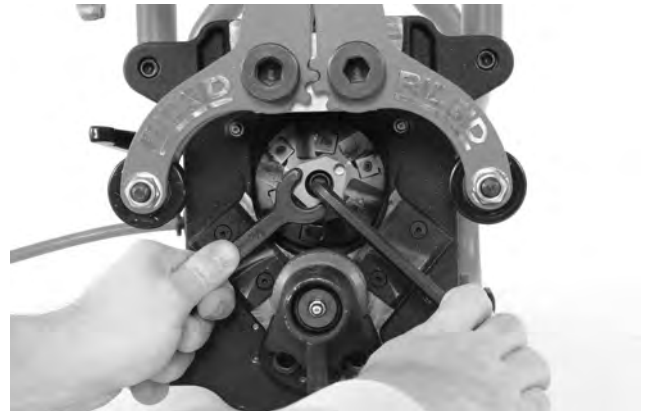


Figure 25A – Changement des têtes de coupe

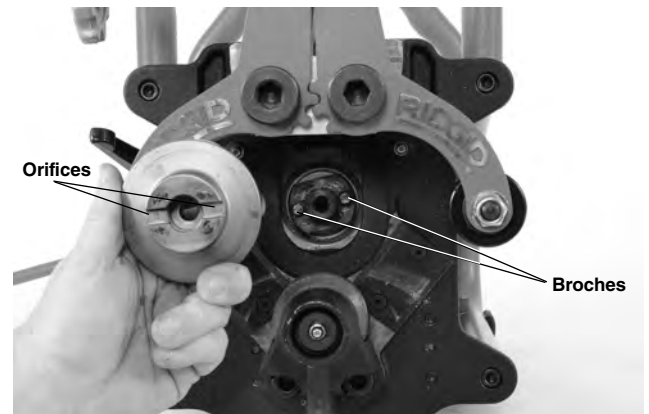


Figure 25B – Remplacement des têtes de coupe

Remplacement des balais

Examinez les balais du moteur tous les six mois et remplacez-les lorsqu'ils sont usés à moins de 1/2" (13 mm).

1. Pour accéder au moteur, retirez les 4 écrous de fixation du cadre à la plaque frontale, puis retirez le cadre du moteur (*Figure 1*).
2. Retirez les 4 vis de fixation du couvercle du carter moteur et retirez le couvercle.
3. Retirez les logements de balai à l'aide d'une pince. Débranchez la connexion électrique (*Figure 26*).

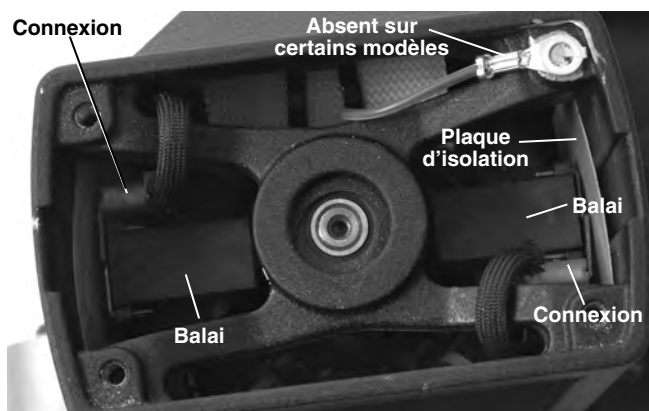


Figure 26 – Emplacement des balais (couvercle de carter retiré)

- 4a. Les balais usés à moins de 1/2" (13 mm) de longueur doivent être remplacés ensembles.
- b. Examinez le commutateur. En cas d'usure excessive, la machine devra être révisée.
5. Enfoncez le balai dans son logement, puis positionnez ce dernier dans le carter. Enfoncez le logement de balai fermement dans le carter, jusqu'à ce qu'il se clips. Vérifiez le bon positionnement de la plaque d'isolation entre le balai et le carter. Rebranchez la connexion et réinstallez le couvercle du carter.
6. Remontez le cadre sur la machine à biseauter.

Coupe-circuit

La machine à biseauter est équipée d'un coupe-circuit (*Figure 1*) qui disjonctera en cas d'appel de courant excessif. Le cas échéant, débranchez la machine. En vous reportant aux instructions correspondantes, retirez la machine à biseauter de la pièce en cours, puis examinez machine pour signes d'anomalie. Si la machine n'est pas endommagée, appuyez sur la touche de réarmement du coupe-circuit. Si le coupe-circuit refuse de se réarmer, laissez refroidir la machine pendant 15 minutes. Reprenez le processus de biseautage en commençant par l'inspection préalable de la machine.

Plaques d'usure

Remplacez les plaques d'usure dès que celles-ci sont usées à moins de 0,03" (0,8 mm).

Réglage de la clavette

La présence de vibrations excessives ou le déportement latéral de la machine peuvent indiquer un besoin de réglage de la clavette. Pour ce faire :

1. Desserrez la vis de retenue de la clavette.
2. Amenez la vis d'avancement de la tête de coupe environ à mi-chemin de sa course.
3. Desserrez les écrous de blocage de la clavette à l'aide d'une clé de 3/8".
4. A l'aide d'une clé Allen de 5/32", serrez les vis de calage de la clavette uniformément (même nombre de tours) jusqu'à buter, puis ramenez chacune des vis d'un demi tour en arrière.
5. Tout en immobilisant les vis de calage à l'aide de la clé Allen, serrez les écrous de blocage (*Figure 21*).
6. Lubrifiez la clavette, puis tournez la vis d'avancement de la tête de coupe sur tout son parcours à plusieurs reprises. L'ensemble devrait fonctionner de manière fluide, sans gigotement ni grippage. Au besoin, répétez le processus.

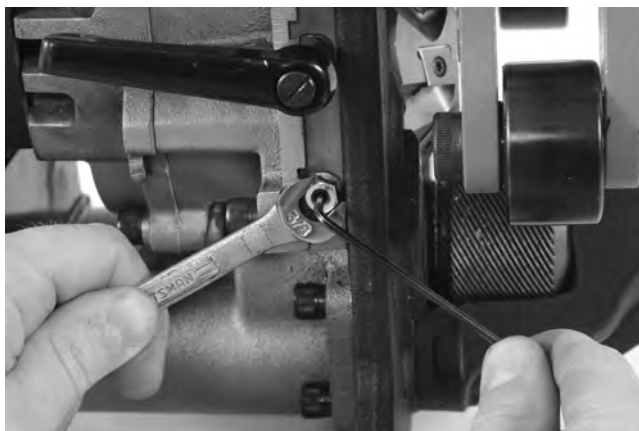


Figure 27 – Réglage de la clavette

Accessoires

⚠ AVERTISSEMENT

Afin de limiter les risques d'accident grave, utilisez exclusivement les accessoires spécifiquement conçus et destinés à la machine à biseauter les tuyaux transportable RIDGID modèle B-500 tels que ceux indiqués ci-après.

Réf. Catalogue	Désignation
48863	Tête de coupe à 37,5°
48858	Tête de coupe à 30°
48868	Tête de coupe à 45°
48873	Jeu de 6 lames
48883	1 tube de graisse anti-grippage
48888	Clé Torx T15/S7
48893	Clé à ergots
48898	Clé Allen de 5/16"
55023	Adaptateur type TMB-36

De plus amples renseignements concernant les accessoires prévus pour cet appareil se trouve dans le catalogue RIDGID et en ligne à RIDGID.com ou RIDGID.eu.

Stockage de la machine

⚠ AVERTISSEMENT La machine à biseauter transportable B-500 doit être rangée à l'intérieur ou protégée des intempéries. Rangez la machine dans un local sous clé, hors de la portée des enfants et de tout individu non initié. Ces machines peuvent devenir dangereuses entre les mains de novices.

Révisions et réparations

⚠ AVERTISSEMENT

La moindre intervention inappropriée peut rendre cette machine dangereuse.

Le chapitre « *Entretien* » couvrira la majorité des besoins d'entretien de cette machine. Toute anomalie éventuelle qui ne serait pas traitée dans celui-ci doit être référée à un réparateur RIDGID indépendant agréé.

L'appareil devra alors être confié à un réparateur indépendant agréé ou renvoyé à l'usine. Utilisez exclusivement des pièces de rechange RIDGID.

Pour localiser le réparateur RIDGID le plus proche ou pour toutes questions visant la révision ou la réparation de l'appareil, veuillez :

- Consulter le distributeur RIDGID le plus proche ;

- Visiter le site RIDGID.com pour localiser le représentant RIDGID le plus proche ;
- Consulter les services techniques Ridge Tool par mail adressé à rtctechservices@emerson.com, ou bien en appelant le (800) 519-3456 (à partir des Etats-Unis ou du Canada exclusivement).

Recyclage

Certains éléments de la machine à biseauter B-500 renferment des matières rares susceptibles d'être recyclées. Des sociétés de recyclage spécialisées peuvent parfois se trouver localement. Recyclez ce type de matériel selon la réglementation en vigueur. Consultez les services de recyclage de votre localité pour de plus amples renseignements.



A l'attention des pays de la CE : Ne jamais disposer de matériel électrique dans les ordures ménagères.

Selon la directive européenne N° 2012/19/EU visant le recyclage de matériel électrique et électronique et son application au niveau des Etats membres, tout matériel électrique réformé doit être collecté séparément et recyclé de manière écologiquement responsable.

Modelo B-500

Biseladora de tubos portátil



ADVERTENCIA

Antes de utilizar este aparato, lea detenidamente su Manual del Operario. Pueden ocurrir descargas eléctricas, incendios y/o graves lesiones si no se entienden y siguen las instrucciones de este manual.

Biseladora de tubos portátil Modelo B-500

Apunte aquí y guarde el número de serie del producto; se encuentra en su placa de características.

No. de serie

Índice de materias

Formulario de registro para el número de serie de la máquina.....	39
Simbología de seguridad.....	41
Advertencias de seguridad general para máquinas eléctricas	
Seguridad en la zona de trabajo	41
Seguridad eléctrica	41
Seguridad personal	42
Uso y cuidado de las máquinas eléctricas.....	42
Servicio	43
Información de seguridad específica	
Seguridad de la biseladora	43
Descripción, especificaciones y equipo estándar	
Descripción	44
Especificaciones	45
Equipo estándar.....	45
Íconos	45
Inspección previa a la operación	46
Instrucciones de puesta en marcha y operación	46
Preparación de la pieza trabajada	47
Instalación para pieza fija/biseladora móvil	48
Instalación para biseladora fija/tubo en rotación	48
Biselado	50
Instrucciones de mantenimiento	
Limpieza.....	54
Lubricación.....	54
Rotación y cambio de las placas de corte	55
Cambio del cabezal cortador	55
Cambio de las escobillas de carbón	56
Disyuntor	56
Placas antidesgaste.....	56
Ajuste de la placa de deslizamiento.....	56
Equipo opcional	57
Almacenamiento de la máquina	57
Servicio y reparaciones	57
Eliminación de la máquina	58
Declaración de la Comunidad Europea	Interior de la carátula posterior
Garantía de por vida	Carátula posterior

*Traducción del manual original

Simbología de seguridad

En este manual del operario y en el producto mismo encontrará símbolos de seguridad y palabras de advertencia que comunican importante información de seguridad. Para su mejor comprensión, en esta sección se describe el significado de estas palabras y símbolos de advertencia.



Este es el símbolo de una alerta de seguridad. Sirve para prevenir al operario de las lesiones corporales que podría sufrir. Obedezca todas las instrucciones de seguridad que acompañan a este símbolo para evitar posibles lesiones o muerte.



PELIGRO Este símbolo de PELIGRO advierte de una situación de peligro que, si no se evita, podría producir la muerte o lesiones graves.



ADVERTENCIA Este símbolo de ADVERTENCIA avisa de una situación de peligro que, si no se evita, podría producir la muerte o lesiones graves.



CUIDADO Este símbolo de CUIDADO advierte de una situación de peligro que, si no se evita, podría producir lesiones leves o moderadas.



AVISO Un AVISO advierte de la existencia de información relacionada con la protección de un bien o propiedad.



Este símbolo significa que es necesario leer detenidamente su manual del operario antes de usar el equipo. El manual del operario contiene información importante acerca del funcionamiento apropiado y seguro del equipo.



Este símbolo indica que cuando utilice este equipo siempre debe usar gafas o anteojos de seguridad con viseras laterales y debe usar protección para los oídos, con el fin de reducir el riesgo de lesiones.



Este símbolo indica que hay riesgo de descargas eléctricas.



Este símbolo indica que existe el riesgo de que los dedos, manos y otras partes del cuerpo se corten debido a piezas en rotación o en movimiento.



Este símbolo indica que la máquina puede volcarse y causar lesiones por golpes o aplastamiento.



Este símbolo indica no debe usarse un taladro, herramienta de impacto ni herramienta eléctrica para impulsar este aparato.

Advertencias de seguridad general para máquinas eléctricas*



Lea y entienda todas las advertencias de seguridad, instrucciones, ilustraciones y especificaciones que se incluyen con esta máquina eléctrica. Si no se respetan todas las instrucciones que siguen, podrían producirse descargas eléctricas, incendios y/o lesiones graves.

¡GUARDE TODAS LAS ADVERTENCIAS E INSTRUCCIONES PARA POSTERIOR CONSULTA!

El término "máquina eléctrica" en las advertencias se refiere a máquinas enchufadas en un tomacorriente (máquinas con cordón) o a máquinas que funcionan con baterías (máquinas sin cordón).

Seguridad en la zona de trabajo

- **Mantenga su zona de trabajo limpia y bien iluminada.** Los lugares desordenados u oscuros pueden provocar accidentes.

- **No haga funcionar las máquinas eléctricas en ambientes explosivos, es decir, en presencia de líquidos, gases o polvo inflamables.** Las máquinas eléctricas pueden generar chispas que podrían encender los gases o el polvo.
- **Mientras haga funcionar una máquina eléctrica, mantenga alejados a los niños y espectadores.** Cualquier distracción podría hacerle perder el control del aparato.

Seguridad eléctrica

- **El enchufe del aparato eléctrico debe corresponder al tomacorriente. Jamás modifique el enchufe del aparato. No utilice un enchufe adaptador cuando haga funcionar una máquina eléctrica provista de conexión a tierra.** Los enchufes intactos y tomacorrientes que les corresponden reducen el riesgo de choques de electricidad.
- **Evite el contacto de su cuerpo con artefactos conectados a tierra tales como cañerías, radiadores, estufas o cocinas, y refrigeradores.** Aumenta el

* El texto utilizado en la sección de Advertencias de seguridad general para máquinas eléctricas es una reproducción exacta, como se exige, de la correspondiente norma UL/CSA/EN 62841. Esta sección contiene prácticas de seguridad generales para muchas herramientas eléctricas de distintos tipos. No todas las precauciones corresponden a cada herramienta y algunas no corresponden a este aparato.

riesgo de choques de electricidad si su cuerpo ofrece conducción a tierra.

- **No exponga las máquinas eléctricas a la lluvia ni permita que se mojen.** Cuando a un aparato eléctrico le entra agua, aumenta el riesgo de choques de electricidad.
- **No maltrate el cordón eléctrico del aparato. Nunca transporte el aparato tomándolo de su cordón eléctrico ni jale del cordón para desenchufarlo del tomacorriente. Mantenga el cordón alejado del calor, aceite, bordes cortantes o piezas móviles.** Un cordón enredado o en mal estado aumenta el riesgo de choques de electricidad.
- **Al hacer funcionar una máquina eléctrica a la intemperie, emplee un cordón de extensión fabricado para uso al aire libre.** Los alargadores diseñados para su empleo al aire libre reducen el riesgo de choques de electricidad.
- **Si resulta inevitable el empleo de una máquina eléctrica en un sitio húmedo, enchúfela en un tomacorriente protegido GFCI (dotado de un Interruptor del Circuito de Pérdida a Tierra).** El interruptor GFCI reduce el riesgo de choques de electricidad.

Seguridad personal

- **Manténgase alerta, preste atención a lo que está haciendo y use el sentido común cuando haga funcionar una máquina eléctrica. No use ninguna máquina eléctrica si usted está cansado o se encuentra bajo la influencia de drogas, alcohol o medicamentos.** Tan solo un breve descuido durante el funcionamiento de una máquina eléctrica puede resultar en lesiones graves.
- **Use equipo de protección personal. Siempre use protección para los ojos.** Según corresponda para cada situación, colóquese equipo de protección como mascarilla para el polvo, calzado de seguridad antideslizante, casco o protección para los oídos, con el fin de reducir las lesiones personales.
- **Evite echar a andar un aparato sin querer. Asegure que el interruptor esté en la posición de APAGADO antes de enchufar el aparato a la corriente eléctrica o de conectarlo a sus baterías, de tomarlo o acarrearlo.** Se producen accidentes cuando se transportan máquinas eléctricas con el dedo puesto sobre su interruptor, o se las enchufa o conecta a la fuente de corriente con el interruptor en la posición de ENCENDIDO.

- **Extraiga cualquier llave de ajuste que esté acoplada a la máquina eléctrica antes de encenderla.** Una llave acoplada a una parte giratoria de la máquina eléctrica puede producir lesiones personales.
- **No trate de extender el cuerpo para alcanzar algo. Tenga los pies bien plantados y mantenga el equilibrio en todo momento.** Esto permite un mejor control de la máquina eléctrica en situaciones inesperadas.
- **Vístase adecuadamente. No lleve ropa suelta ni joyas. Mantenga su cabello, ropa y guantes apartados de las piezas en movimiento.** La ropa suelta, las joyas o el pelo largo pueden engancharse en las piezas móviles.
- **Si se proporcionan dispositivos para conectar aparatos de extracción y recolección de polvo, asegure que estén bien conectados y utilizados.** La recolección de polvo puede reducir los peligros asociados al polvo.
- **No deje que su familiaridad con las herramientas le haga abandonar los principios de seguridad de las máquinas.** Un descuido puede causar una lesión grave en menos de un segundo.

Uso y cuidado de las máquinas eléctricas

- **No fuerce los aparatos eléctricos. Use el equipo correcto para la tarea que está por realizar.** Con la máquina eléctrica adecuada se hará mejor el trabajo y en forma más segura en la clasificación nominal para la cual fue diseñada.
- **Si el interruptor del aparato no lo enciende o no lo apaga, no utilice el aparato.** Cualquier máquina eléctrica que no se pueda controlar mediante su interruptor es un peligro y debe repararse.
- **Antes de hacer ajustes, cambiar accesorios o de almacenar el aparato, desenchúfelo y/o extráigale las baterías, si es posible.** Estas medidas de seguridad preventiva reducen el riesgo de poner la máquina eléctrica en marcha involuntariamente.
- **Almacene las máquinas eléctricas que no estén en uso fuera del alcance de los niños y no permita que las hagan funcionar personas que no estén familiarizadas con este aparato o no hayan leído estas instrucciones de operación.** Las máquinas eléctricas son peligrosas en manos de personas no capacitadas.
- **Haga la mantención necesaria de las máquinas eléctricas. Revise el equipo para verificar que las piezas móviles no estén mal alineadas o agarrotadas. Verifique que no tenga partes rotas ni presente alguna otra condición que podría afectar**

su funcionamiento. Si un aparato está dañado, hágalo reparar antes de utilizarlo. Muchos accidentes se deben a máquinas eléctricas que no han recibido un mantenimiento adecuado.

- **Mantenga las hojas y filos de corte afilados y limpios.** Las herramientas de corte provistas de filos afilados son menos propensas a agarrotarse y son más fáciles de controlar.
- **Utilice la máquina eléctrica, accesorios y barrenas, etc., únicamente conforme a estas instrucciones, tomando en cuenta las condiciones de trabajo y la tarea que debe realizar.** El uso de la máquina eléctrica para trabajos diferentes a los que le corresponden podría producir una situación peligrosa.
- **Mantenga los mangos y superficies de agarre secos, limpios y exentos de grasa y aceite.** Si están resbalosos los mangos y superficies de agarre, no podrá trabajar con seguridad ni controlar la máquina en situaciones inesperadas.

Servicio

- **Encomiende el servicio de la máquina eléctrica únicamente a técnicos calificados que usen repuestos idénticos a las piezas originales.** Así se garantiza la continua seguridad de la máquina eléctrica.

Información de seguridad específica

⚠ ADVERTENCIA

Esta sección contiene información de seguridad importante que es específica para esta herramienta.

Antes de utilizar la biseladora de tubos portátil Modelo B-500, lea estas instrucciones detenidamente para reducir el riesgo de choque de electricidad o de otras lesiones personales graves.

¡GUARDE ESTAS INSTRUCCIONES!

Mantenga este manual junto con la máquina, para que lo use el operario.

Seguridad de la biseladora

- **Siempre use protección adecuada para los ojos y los oídos.** Las herramientas cortantes pueden romperse o hacerse pedazos. Al cortar, se generan virutas que pueden caer a los ojos o lanzarse hacia los ojos. Al cortar se produce mucho ruido que con el tiempo puede dañar los oídos.
- **Siempre use equipo de protección personal apropiado.** Según corresponda para cada situación, colóquese equipo de protección como máscara, mangas largas, calzado de seguridad, casco y otros equipos, con el fin de reducir el riesgo de lesiones personales.
- **No use ropa suelta cuando haga funcionar la máquina. Mantenga abotonadas las chaquetas y las mangas.** No estire las manos por encima de la máquina, que puede enganchar la ropa y enmarañarla.
- **Mantenga a los espectadores alejados de la zona de trabajo. Coloque una barrera o una barricada en un radio de por lo menos 6 pies (2 metros) alrededor de la zona de trabajo.** Podrían lanzarse virutas o partes averiadas de la herramienta de corte y causar lesiones más allá de la zona inmediata. Una barrera o barricada que deja espacio alrededor de la zona de trabajo reduce el riesgo de lesiones.
- **Una sola persona debe controlar la tarea y el interruptor que enciende y apaga la biseladora.** Cuando la máquina está en marcha, la única persona que debe estar en la zona de trabajo es el operario. Esto ayuda a evitar lesiones.
- **La pieza trabajada y la biseladora deben estar bien apoyadas. Asegure que la biseladora esté bien agarrada a la pieza trabajada.** Esto reduce el riesgo de lesiones por golpes o aplastamiento al impedir que la máquina y el tubo se vuelquen y se caigan.
- **No ponga en marcha la biseladora si tiene las placas de corte en contacto con la pieza trabajada. Permita que el cabezal cortador alcance su velocidad máxima antes de colocarlo cuidadosamente sobre la pieza trabajada.** El cortador se podría atascar, desplazar o dar un culatazo si la máquina se echa a andar estando en contacto con la pieza trabajada.
- **Mantenga apartadas las manos del cabezal cortador cuando esté girando. Permita que las piezas se detengan por completo antes de tocar la herramienta o el tubo.** Esto reduce el riesgo de enmarañarse con las piezas en rotación.
- **No use máquinas eléctricas como taladros o aparatos de impacto para impulsar la biseladora. Impulse la biseladora a mano solamente.** El uso de un aparato motorizado para impulsar la biseladora aumenta el riesgo de lesiones.
- **Evite respirar el polvo generado al biselar un tubo.** Algunos polvos contienen sustancias químicas que pueden provocar cáncer, defectos congénitos o alguna otra lesión grave. Tome en cuenta el material del tubo y de sus revestimientos cuando determine cuál protección debe usar contra materiales inhalados, in-

cluyendo los materiales tales como las pinturas con base de plomo.

El riesgo debido a la exposición al polvo depende de la frecuencia con que usted hace este tipo de trabajo y la concentración de polvo. Para reducir su exposición a estas sustancias químicas, trabaje en un lugar bien ventilado y use protección respiratoria seleccionada conforme a los reglamentos y normas correspondientes, como se indica en ANSI Z88.2 y OSHA.

- **No modifique la biseladora ni la use para ningún otro fin.** Si usa la biseladora para otras aplicaciones o si la modifica, podría dañar la herramienta, dañar los acoplamientos y/o causar lesiones personales.
- **Antes de operar esta herramienta, lea y entienda las instrucciones y advertencias para todos los equipos y materiales que usará, con el fin de reducir el riesgo de lesiones graves.**

El folleto de la Declaración de Conformidad de la Comunidad Europea (890-011-320.10) se adjuntará a este manual en forma de folleto independiente, cuando se requiera.

Si tiene alguna pregunta acerca de este producto RIDGID®:

- Comuníquese con el distribuidor RIDGID® en su localidad.
- Visite RIDGID.com para averiguar dónde se encuentran los centros autorizados de Ridge Tool más cercanos.
- Comuníquese con el Departamento de Servicio Técnico de Ridge Tool en rttechservices@emerson.com, o llame por teléfono desde EE. UU. o Canadá al (800) 519-3456.

Descripción, especificaciones y equipo estándar

Descripción

La biseladora de tubos portátil Modelo B-500 de RIDGID® se usa para biselar la mayoría de los extremos de tubos de acero y de acero inoxidable y bordes de chapa en materiales de un espesor de hasta 0,5 pulgadas (13 mm), para prepararlos para la soldadura. Los cabezales cortadores cónicos, que tienen placas de corte reemplazables (vea la Figura 24), se impulsan mediante un motor y caja de engranajes; mediante el uso del cabezal cortador correspondiente, se producen biseles de 30°, 37,5° o 45°.

El bisel se genera con una sola pasada, sin necesidad de preparación adicional. No se usa aceite refrigerante ni aceite de corte. El ancho del talón del bisel se puede ajustar en incrementos de aproximadamente 1/32" (0,8 mm), desde 0 hasta 0,188" (0 a 4,8 mm). La biseladora agarra la pieza trabajada con firmeza entre rodillos guía y un rodillo de mando. Incluye una manivela manual, desprendible, para impulsar el cabezal cortador sobre el material. Hay

luces indicadoras para señalar cuál es la correcta velocidad de la manivela. El bastidor ayuda a proteger el motor y caja de engranajes, y facilita la manipulación de la biseladora.

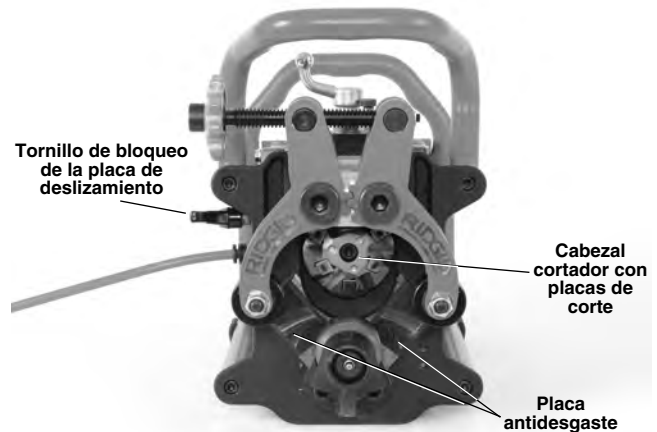
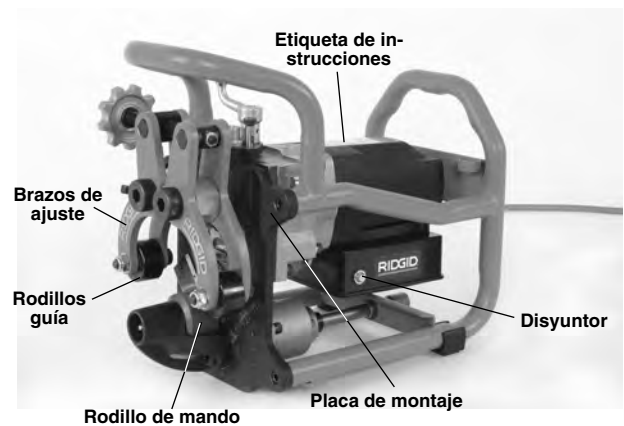


Figura 1 – Biseladora Modelo B-500

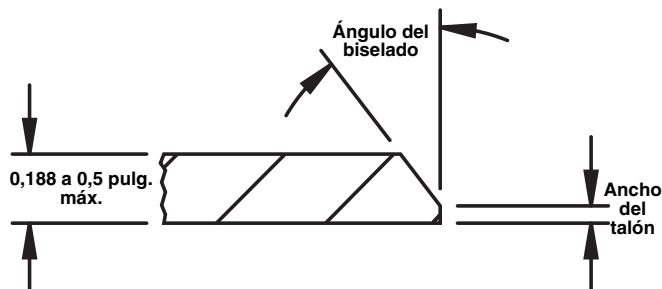


Figura 2 – Configuración del biselado

Especificaciones

Diámetro de la pieza...Mínimo: Tubo IPS de 4"
Máximo: Chapa plana

Espesor de la pared del tubo o de la chapaMínimo: 0,188 pulg. (4,8 mm)
Máximo: 0,50 pulg. (12,7 mm)
El espesor del material no puede variar en más de 0,031 pulg. (0,8 mm).

Orientación del tubo o de la chapa.....Horizontal (vea la Figura 6.)

Ángulos de los biseles.....37,5°, 30° y 45° (con los cabezales cortadores correspondientes)

Ancho del talón0 a 0,188 pulg. (4,8 mm) en incrementos de aproximadamente 1/32 pulg. (0,8 mm).

Materiales*Acero y acero inoxidable, de casi todo tipo

*El cabezal cortador y las placas de corte están optimizados para tubos de acero dulce estándar A53. Con otros materiales, puede anticiparse una menor vida útil de las placas de corte.

*La capacidad de biselar depende de diversos factores, que incluyen el tipo, composición química y dureza del material, la cantidad de material que se eliminará, y otros factores. En algunos casos no es posible biselar un material o podrían dañarse las placas de corte del cabezal. Si tiene alguna pregunta acerca del material que se desea biselar, comuníquese con el Departamento de Servicio Técnico de Ridge Tool.

Funcionamiento en ralentí
Velocidad N°950/min

Motor:
Tipo.....Universal
Potencia.....1,2 HP
Clasificación nominal120 V, 12,5 A, 50/60 Hz
230 V, 6,5 A, 50/60 Hz

Dimensiones:
Altura13,3 pulg. (33,8 cm)
Largo15,8 pulg. (40,1 cm)
Anchura11,5 pulg. (29,2 cm)

Peso52,5 libras (23,8 kg) con el cabezal cortador y la manivela

Presión de sonido (L_{PA})* 92 dB(A), K=3

Potencia de sonido (L_{WA})* 105 dB(A), K=3

* Las determinaciones de sonido se miden según una prueba estándar conforme a la Norma EN 62841-1 .

- Las emisiones de sonido pueden variar según dónde se ubique el usuario y el uso específico de estos aparatos.

- La exposición diaria a niveles de sonido se debe evaluar para cada aplicación y se deben tomar las correspondientes medidas de seguridad cuando sea necesario. La evaluación de los niveles de exposición debe tomar en cuenta el tiempo durante el cual está apagada la herramienta y el tiempo en que no se usa. Esto puede reducir el nivel de exposición significativamente durante todo el transcurso del período de trabajo.

Equipo estándar

La biseladora de tubos portátil Modelo B-500 de RIDGID® incluye:

- Cabezal cortador, con un juego de seis placas de corte (instaladas)
- Llave T15 para los tornillos de inserción de las placas de corte
- Grasa antiadherente para los tornillos de inserción de las placas de corte
- Llave inglesa de 1"
- Llave hexagonal de 5/16"
- Manual del operario



Figura 3 – Equipo estándar

Íconos

⏻ Encendido

⏻ Apagado



Figura 4 – Número de serie de la máquina

La placa con el número de serie de la biseladora Modelo B-500 está ubicada a un costado del motor. Los últimos 4 dígitos indican el mes y el año de su fabricación.

AVISO La selección apropiada de los materiales y de los métodos de instalación, unión y conformado es responsabilidad del diseñador y/o del instalador del sistema. El sistema podría fallar si se seleccionan mal los materiales y métodos.

El acero inoxidable y otros materiales resistentes a la corrosión se pueden contaminar durante la instalación, unión y conformado. Esta contaminación podría causar corrosión y fallas prematuras. Es necesario completar una cuidadosa evaluación de los materiales y métodos para las condiciones de servicio específicas, inclusive las condiciones químicas y térmicas, antes de intentar una instalación. (Vea el AVISO en la sección Preparación de la pieza trabajada.)

Inspección previa a la operación

⚠ ADVERTENCIA



Antes de cada uso, inspeccione la biseladora y corrija cualquier problema para reducir el riesgo de lesiones graves por choque de electricidad, enmañamiento, lesiones por aplastamiento y otras causas, y para que no se dañe la biseladora.

1. Asegure que la biseladora esté desenchufada y oprima el botón de APAGADO.
2. Limpie el aceite, grasa, suciedad y virutas presentes en la biseladora, incluyendo las manijas y controles. Esto facilita su inspección y ayuda a evitar que la herramienta o los controles se resbalen de sus manos. Limpie y mantenga la máquina de acuerdo con las *Instrucciones de mantenimiento*.

3. Inspeccione la biseladora para verificar lo siguiente:
 - El cordón y su enchufe no están dañados ni modificados.
 - La máquina está bien ensamblada, bien mantenida y completa.
 - No hay piezas rotas, desgastadas, faltantes, mal alineadas ni agarrotadas, y no hay daños de ningún tipo.
 - La superficie moleteada del rodillo de mando está limpia y en buenas condiciones. Si es necesario, limpie el rodillo con una escobilla de alambre. Si la superficie moleteada está desgastada o sucia, el rodillo de mando se puede resbalar o desviarse durante su uso. La suciedad en la superficie moleteada o en el rodillo puede causar una contaminación ferrosa del acero inoxidable.
 - Las etiquetas de advertencia y de instrucciones están presentes y son legibles (vea la Figura 1).
 - Los sujetadores y el cabezal cortador están bien asegurados.
 - El eje de mando gira solamente en sentido hacia la derecha (según se indica en la etiqueta).
 - Los bordes filosos de las placas de corte en el cabezal cortador no están desgastadas, deformadas, aporilladas ni tienen ningún otro problema. Las piezas de corte están bien aseguradas. Las placas de corte embotadas, dañadas o flojas pueden dañar la herramienta, hacer biselados de mala calidad y aumentar el riesgo de lesiones.
 - No existe ninguna otra condición que impide su funcionamiento seguro y normal.
- Si se encuentra algún problema, no utilice la herramienta hasta que se haya reparado.

4. Inspeccione cualquier otro aparato que use y hágale la mantención conforme a sus instrucciones para asegurar su buen funcionamiento.

Instrucciones de puesta en marcha y operación

⚠ ADVERTENCIA



Siempre use protección apropiada para los ojos y los oídos. Las herramientas cortantes se pueden romper o destrozarse. El corte produce virutas que se pueden lanzar o caer hacia los ojos. El corte produce mucho ruido que con el tiempo puede dañarle los oídos.

No use ropa suelta cuando haga funcionar la máquina. Mantenga abotonadas las chaquetas y las mangas. No estire las manos por encima de la máquina, que puede enganchar la ropa y enmarañarla.

Mantenga a los espectadores alejados de la zona de trabajo. Coloque una barrera o una barricada en un radio de por lo menos 6 pies (2 metros) alrededor de la zona de trabajo. Podrían lanzarse virutas o partes averiadas de la herramienta de corte y causar lesiones más allá de la zona inmediata. Una barrera o barricada que deja espacio alrededor de la zona de trabajo reduce el riesgo de lesiones.

Una sola persona debe controlar la tarea y el interruptor que enciende y apaga la biseladora. Cuando la máquina está en marcha, la única persona que debe estar en la zona de trabajo es el operario. Esto ayuda a evitar lesiones.

Mantenga la pieza trabajada y la biseladora bien apoyadas. Asegure que la biseladora agarre bien la pieza trabajada. Esto reduce el riesgo de lesiones por golpes o aplastamiento al impedir que la máquina y el tubo se vuelquen y se caigan.

No ponga en marcha la biseladora si tiene las placas de corte en contacto con la pieza trabajada. Permita que el cabezal cortador alcance su velocidad máxima antes de acercarlo cuidadosamente para que agarre el tubo. El cabezal cortador se podría atascar, desplazar o dar un culatazo si la máquina se echa a andar estando en contacto con la pieza trabajada.

Mantenga apartadas las manos del cabezal cortador cuando esté girando. Permita que las piezas se detengan por completo antes de tocar la herramienta o tubo. Esto reduce el riesgo de enmarañarse con las piezas en rotación.

No use máquinas eléctricas como taladros o aparatos de impacto para impulsar la biseladora. Impulse la biseladora a mano solamente. El uso de un aparato motorizado para impulsar la biseladora aumenta el riesgo de lesiones.

Haga la puesta en marcha de la biseladora y hágala funcionar de acuerdo con estos procedimientos, para reducir el riesgo de lesiones por choque de electricidad, enmarañamiento, golpes, aplastamiento o por otras causas, y para que no se dañe la máquina.

1. Revise la zona de trabajo para verificar lo siguiente:
 - Hay suficiente luz.
 - No hay líquidos, vapores o polvo inflamables que se podrían encender. Si éstos están presentes, no trabaje en ese lugar hasta que haya identificado el origen de las sustancias inflamables y corregido el problema. La máquina no es a prueba de explosiones y podría generar chispas.
 - El suelo está despejado, nivelado, estable y seco para todos los aparatos y el operario.
 - Hay un tomacorriente con conexión a tierra apropiada y del voltaje correcto. Es posible que un tomacorriente para enchufe de tres patas o GFCI no tenga una conexión a tierra apropiada. Si tiene al-

guna duda, pida que un electricista acreditado revise el tomacorriente.

- Hay una senda despejada entre la máquina y el tomacorriente, donde no hay nada que podría dañar el cable.
2. Cuando use la biseladora, por lo general tendrá que utilizar un cable de extensión. Elija un cable de extensión que:
 - Esté en buenas condiciones.
 - Tenga un enchufe con conexión a tierra igual al enchufe de la biseladora.
 - Esté clasificado para uso al aire libre.
 - Tenga alambres de calibre suficiente. Para cables de extensión de hasta 50 pies (15,2 m), el alambre debe ser de 14 AWG (1,5 mm²) o más grueso. Para cables de extensión de 50 a 100 pies (15,2 m a 30,5 m), el alambre debe ser de 12 AWG (2,5 mm²) o más grueso.

Con las manos secas, enchufe el cable de extensión en el tomacorriente. Extienda el cable de extensión a lo largo de una senda despejada hasta la biseladora. Mantenga las conexiones secas y alejadas del suelo. Deje el cable sobrante al pie de la máquina para permitir que la biseladora se mueva en la configuración Pieza fija/biseladora móvil (vea la *Figura 20A* y *20B*). Todavía no enchufe la biseladora.

3. Asegure que todos los equipos se hayan inspeccionado apropiadamente.
4. Mantenga a los observadores alejados de la zona de trabajo, coloque barricadas o barreras para crear un espacio que tenga un radio de por lo menos 6 pies (2 metros) alrededor de la pieza trabajada y la biseladora. Esto ayuda a prevenir que las virutas expulsadas golpeen a los observadores.

Preparación de la pieza trabajada

Inspeccione la pieza que debe biselar y confirme que la biseladora Modelo B-500 es la herramienta correcta para la tarea. Vea la sección *Especificaciones*.

Si la pieza es un tubo, el extremo debe ser recto, sin alejarse en más de 0,062 pulgadas (1,6 mm) de la línea perpendicular a la superficie del tubo. Vea la *Figura 5*. La biseladora recorre el corte en el extremo del tubo y no es capaz de cortar el extremo del tubo a escuadra. Si se trata de una chapa, el borde que desea biselar debe ser recto y sin curvas. El borde biselado mantiene la forma del corte original, sin rectificarlo. Si se bisela un borde que no es ortogonal, la biseladora puede desviarse y dañar la calidad del bisel.

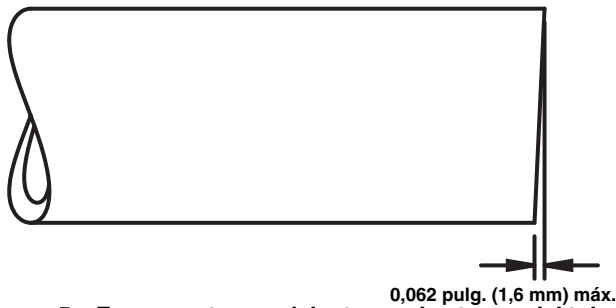


Figura 5 – Forma recta que debe tener el extremo del tubo

La biseladora funciona con bordes cortados por desplazamiento (rueda de corte), cortados con sierra o cortados con soplete. Antes de biselar, debe eliminar la acumulación de escoria producida por el soplete, los cordones de soldadura que sobresalgan en más de $\frac{1}{32}$ pulg. (0,8 mm), grandes rebabas y otros residuos en ambas caras del borde que desea biselar y a hasta 3 pulgadas (75 mm) de la orilla de la chapa. Esto permite a la biseladora agarrar el material correctamente y desplazarse sobre el borde. Podría ser necesario eliminar el aceite y otros revestimientos en la pieza trabajada para asegurar que la biseladora pueda avanzar correctamente a lo largo del borde.

Debe haber una distancia de por lo menos 3 pulgadas (75 mm) de tubo recto sin obstrucciones o de chapa plana, medidos desde el borde a biselar, para que la biseladora se pueda montar y empezar su recorrido. No use la biseladora con materiales curvos tales como codos u otros acoplamientos.

AVISO Para evitar la contaminación por hierro del acero inoxidable, asegure que el rodillo de mando y los rodillos guía estén limpios y exentos de residuos. Limpie los rodillos bien con una escobilla de alambre de acero inoxidable. Cambie las placas de corte y use un juego de placas de corte especial y exclusivo para acero inoxidable. Lo más conveniente es dedicar una sola biseladora al material de acero inoxidable.

AVISO No use la biseladora con material que esté conectado a una soldadora. Si la biseladora está conectada con una pieza durante el proceso de soldadura, se pueden dañar los circuitos de la biseladora.

Instalación para pieza fija/biseladora móvil

La biseladora está diseñada para usarse con tubos y chapas horizontales. También se puede usar para extremos de tubos que están por encima de la línea horizontal. La Figura 6 muestra ejemplos. Si la biseladora se usa con otras orientaciones, podría caerse encima del operario o dejar que le caigan virutas, y estas orientaciones no se permiten.

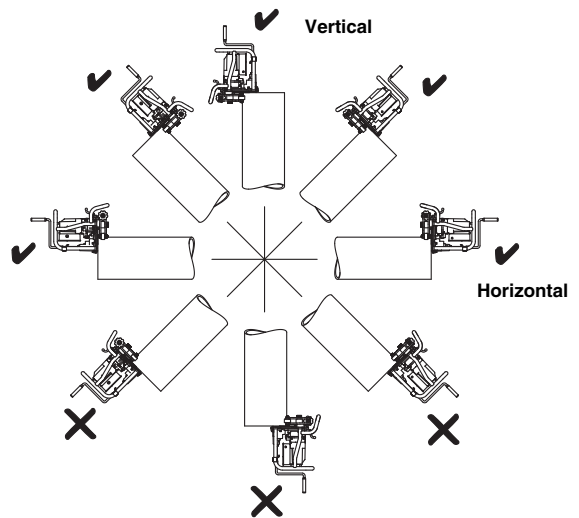


Figura 6 – Orientaciones del tubo aceptables (✓) e inaceptables (✗)

Asegure que la pieza que desea biselar esté bien montada en forma estable. La pieza trabajada y su soporte deben ser capaces de tolerar el peso de la biseladora y la fuerza y par de torsión que se exigen para biselar, sin que la pieza y el soporte se muevan o giren. Cuando use una prensa de tornillo para asegurar el tubo, verifique que tenga las dimensiones apropiadas y que esté bien asegurada para que no se vuelque durante el trabajo. Para tubos más largos, use soportatubos para apoyar el largo adicional de los tubos.

Cuando la biseladora se usa sobre chapa plana, las últimas 6 pulgadas (15 cm) hasta la orilla lateral de la chapa no se pueden biselar. Ambos rodillos guía deben estar en contacto con la chapa para que la biseladora se mantenga en su lugar (vea la Figura 16).

Si debe biselar un tubo ya colocado en la obra, asegure que haya suficiente espacio para ajustarle la biseladora y para que la biseladora pueda desplazarse a lo largo de la pieza trabajada.

Instalación para biseladora fija/tubo en rotación



Figura 7 – Adaptador de biseladora TBM-36

Cuando se usa el adaptador de biseladora Modelo TBM-

36 como equipo opcional (vea la Figura 7), se monta la biseladora B-500 en una prensa de tornillo con cadena TRISTAND serie 450 o serie 460 de RIDGID. La biseladora se mantiene en posición fija y el tubo gira. Esto es más conveniente y permite biselar tubos más cortos. Se puede usar para tubos de hasta 36 pulg. (900 mm) de diámetro.

1. Inspeccione y monte la prensa de tornillo con cadena TRISTAND portátil de la serie 450 o 460 de RIDGID® de acuerdo con sus instrucciones. Si desea lograr mayor estabilidad, puede anclar la pata trasera de la prensa de tornillo de cadena TRISTAND portátil. No ancle las patas delanteras del TRISTAND, ya que el soporte debe ser capaz de moverse levemente para que la biseladora mantenga su recorrido.
2. Coloque el cuerpo cilíndrico del adaptador en la quijada en V de la prensa, como se muestra en la Figura 8. Coloque la llave en la ranura de la quijada de la prensa para fijar la correcta posición y estabilidad.

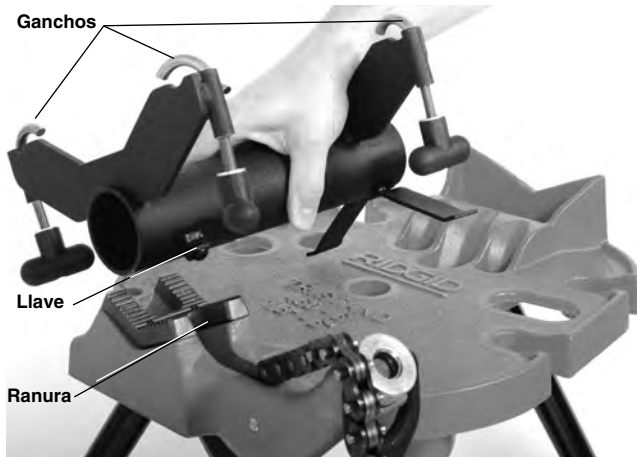


Figura 8 – Cómo montar el adaptador en la prensa de tornillo

3. Coloque la cadena de la prensa de tornillo sobre el cuerpo del adaptador y apriete bien la cadena para que sostenga el adaptador.
4. Afloje completamente las perillas de los ganchos del adaptador y desplace los ganchos hacia afuera.
5. Agarre la biseladora con firmeza y colóquela sobre el adaptador como se indica en la Figura 9.
6. Pase los ganchos por encima del bastidor de la biseladora y apriete bien las perillas (Figura 9).
7. Asegure la estabilidad del soporte y los aparatos.
8. Monte la extensión de 10 pulg. de largo y ½ pulg. de diámetro en el eje de funcionamiento de la biseladora (vea la Figura 10).
9. Cuando debe biselar un tubo que tiene una longitud in-

ferior a 12 pulg. (300 mm) y un peso inferior a 50 libras (22 kg) y siempre que la biseladora y la prensa de tornillo TRISTAND portátil estén montadas en forma estable y segura, no hace falta un soportatubos para apoyar el tubo. El tubo se coloca directamente sobre el rodillo de mando y se fija con los rodillos guía (Figura 10).



Figura 9 – Conexión de la biseladora con el adaptador

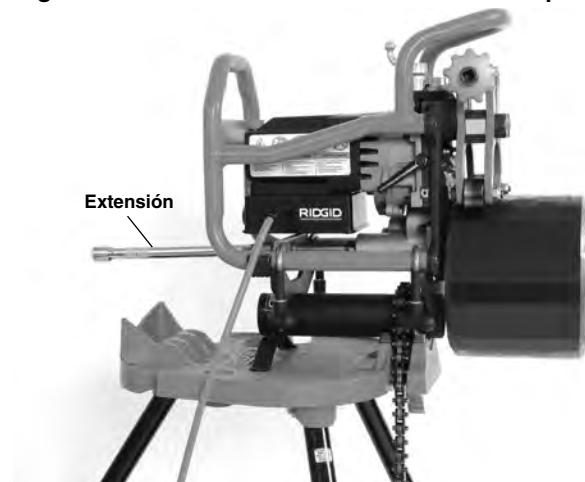


Figura 10 – Biseladora fija, con un tubo que mide menos de 12 pulg. de largo y pesa menos de 50 libras

Si debe biselar un tubo que mide más de 12 pulg. (300 mm) o pesa más de 50 libras (22 kg), el tubo tiene que apoyarse con un soportatubos apropiado, para reducir el riesgo de que el tubo y los aparatos se vuelquen y se caigan. Los soportes deben contar con rodillos que permitan que el tubo gire durante el biselado. Si usa soportatubos inapropiados o apoya el tubo a mano, el tubo y los aparatos se pueden volcar y caer.

Coloque los soportes en línea con el rodillo de mando de la biseladora. Siempre use al menos dos soportatubos, si es posible. El diámetro interior superior del tubo debe estar a la misma altura o hasta ⅛ pulg. (3 mm) más arriba que el borde superior del rodillo de

mando de la biseladora, antes de que la biseladora agarre el material (vea la Figura 11). El tubo debe estar paralelo al rodillo de mando de la biseladora. No coloque el diámetro interno del tubo más abajo que el borde superior del rodillo de mando, ya que podría reducirse la estabilidad e impedir que la biseladora mantenga su recorrido.

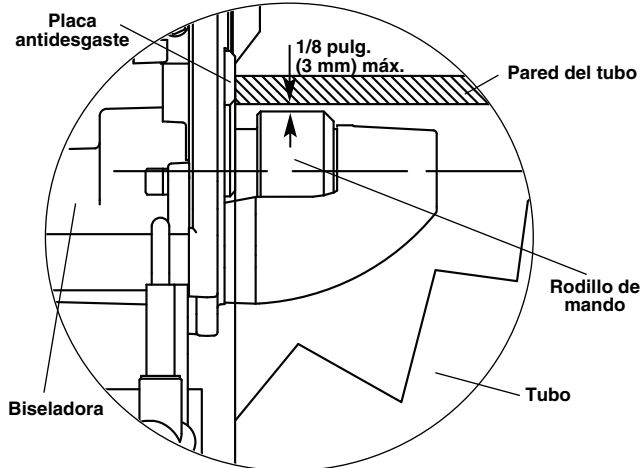


Figura 11 – Biseladora fija y posición del tubo con respecto al rodillo de mando de la biseladora (sección transversal del tubo antes de que lo agarre la biseladora)

Cuando la biseladora se usa con tubos cortos y un solo soportatubos, el tubo se apoya sobre el rodillo de mando de la biseladora y sobre el soportatubos (vea la Figura 12). Cuando la biseladora se usa con tubos más largos y varios soportatubos, el tubo se apoya sobre los soportatubos, como se muestra en la Figura 13.

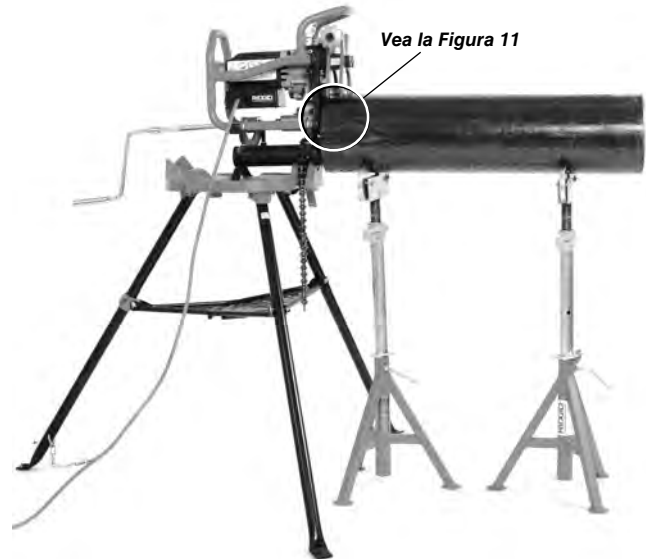


Figura 13 – Biseladora fija, tubo largo y varios soportatubos



Figura 12 – Biseladora fija, tubo corto y un solo soportatubos

La instalación y recorrido del tubo en la biseladora se pueden confirmar antes del biselado. Siga las instrucciones de biselado pero sin encender la máquina; apriete el tornillo de sujeción a mano; una vez apretado, dele otra vuelta de tres cuartos, para agarrar el tubo. Introduzca la manivela manual y hágala rotar para hacer girar el tubo. El extremo del tubo debe mantenerse al ras contra las placas antidesgaste a medida que gira el tubo (Figura 15B). Si no se cumplen estas condiciones, debe volver a ajustar la instalación.

Biselado

La biseladora B-500 transportable se puede usar en dos configuraciones. Puede usarse con la pieza trabajada en posición fija, desplazándose la biseladora a lo largo del tubo (pieza fija/biseladora móvil) o puede usarse con la biseladora en posición fija sobre el adaptador de biselado Modelo TBM-36, rotando el tubo con respecto a la biseladora (biseladora fija/tubo en rotación). Vea *Instrucciones de puesta en marcha y operación* para estas configuraciones.

El motor de la biseladora tiene una etiqueta con información básica sobre su operación. Los pasos en la etiqueta son los mismos que se indican en esta sección. La etiqueta no está

diseñada para reemplazar el manual del operario, que contiene toda la información necesaria para usar el motor apropiadamente.

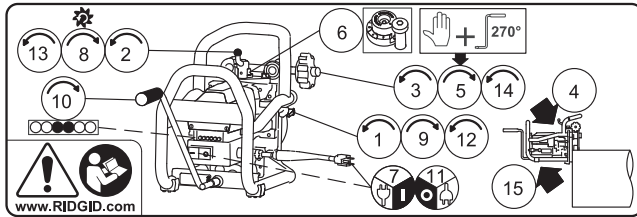


Figura 14 – Etiqueta de instrucciones

1. Confirme que se ha aflojado el tornillo de bloqueo de la placa de deslizamiento.
2. Gire hacia la izquierda el tornillo de alimentación del cortador, para retraer completamente el cabezal cortador (alejándolo del rodillo de mando).
3. Gire el tornillo de sujeción para abrir los brazos de ajuste lo suficientemente para montar la pieza de trabajo.
4. Para montar la pieza trabajada y la biseladora:

Pieza fija/biseladora en movimiento

Confirme que la biseladora y la pieza trabajada se hayan instalado correctamente.

Agarre firmemente la biseladora y colóquela sobre el tubo, con los rodillos guía en la superficie externa del tubo. Si se trata de una chapa plana, los rodillos guía deben estar sobre la superficie que recibe el bisel. El rodillo de mando debe estar dentro del tubo (la superficie opuesta a la que recibe el biselado). Asegure que las placas antidesgaste estén al ras con el extremo del tubo o el borde de la chapa (Figura 15B). Procure no golpear el cabezal cortador contra el tubo o la chapa, para que no se dañen las placas de corte. Sostenga la biseladora hasta que esté bien agarrada a la pieza trabajada.

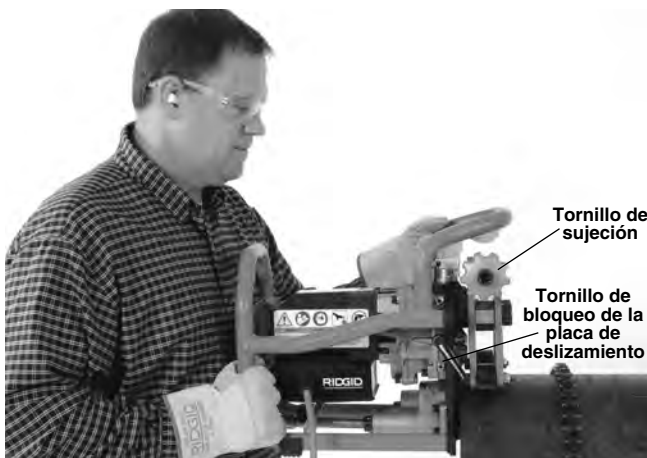


Figura 15A – Colocación de la biseladora sobre el tubo

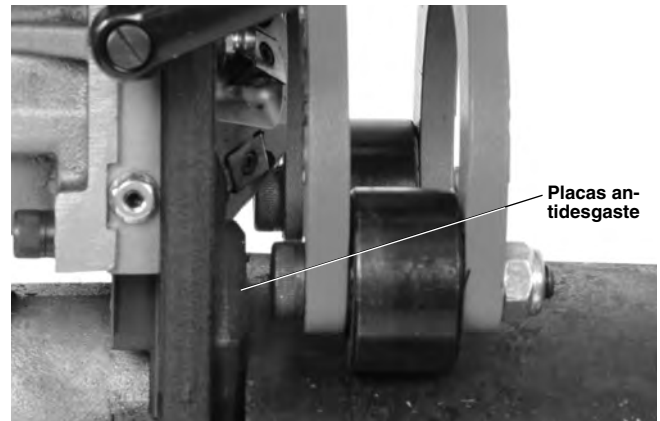


Figura 15B – La placa antidesgaste está al ras con el extremo del tubo

Cuando la biseladora se usa sobre chapa plana, las últimas 6 pulgadas (15 cm) hasta la orilla lateral de la chapa no se pueden biselar. Ambos rodillos guía deben estar en contacto con la chapa para que la biseladora mantenga su recorrido (vea la Figura 16).

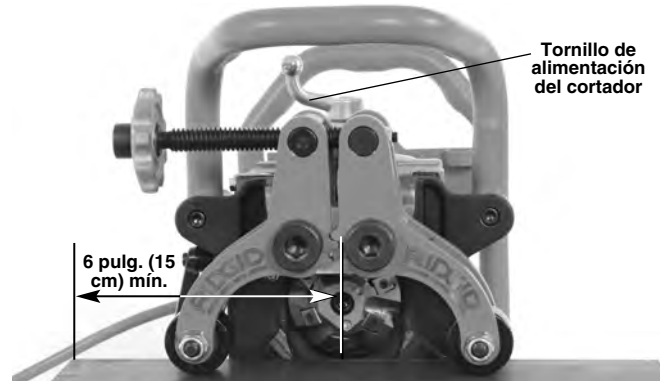


Figura 16A – Biseladora sobre una chapa



Figura 16B – Colocación de la biseladora sobre una chapa

Biseladora fija/tubo en rotación

Confirme que la biseladora, los soportatubos y el tubo se hayan instalado correctamente (vea las Figuras 10, 12 y 13).

Coloque el tubo sobre el rodillo de mando de la biseladora. Asegure que las placas antidesgaste estén al ras con el extremo del tubo o el borde de la chapa. Procure no golpear el cabezal cortador contra el tubo o la chapa, para que no dañen las placas de corte. Sostenga la biseladora hasta que esté bien agarrada a la pieza trabajada.

5. Apriete el tornillo de sujeción con la mano y luego con la manivela incluida dele otra vuelta de tres cuartos (270°) (Figura 17) para que el material quede agarrado entre los rodillos guía y el rodillo de mando. Asegure que el material esté bien agarrado por la biseladora y que tanto el material como la biseladora estén en posición estable. Quite la manivela. No deje la manivela conectada al tornillo de sujeción. No intente empezar a biselar si la biseladora no está firmemente asegurada a la pieza trabajada.

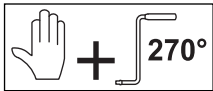


Figura 17A – Con la mano, apriete el tornillo de sujeción

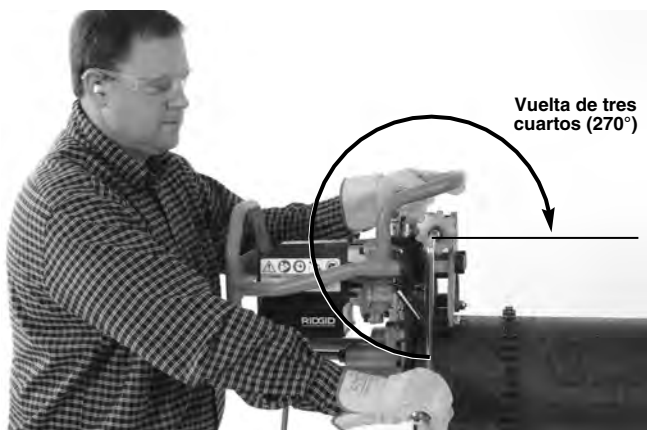


Figura 17B – Apriete el tornillo de sujeción con una vuelta adicional de tres cuartos (270°)

6. Fije el ancho del talón del bisel (Figura 18) con el calibre de ajuste. Si el calibre está en 0, no habrá talón en el extremo del tubo. Cada paso adicional en el calibre de ajuste del talón agrega aproximadamente $\frac{1}{32}$ " (0,8 mm) al talón. Por ejemplo, el 1 corresponde a un

talón de 0,03 pulg. (0,8 mm), el 2 corresponde a un talón de 0,06 pulg. (1,6 mm), etc. Gire el calibre de ajuste para que el número deseado esté alineado debajo del reborde del tope.



Figura 18 – Fijación del calibre de ajuste del ancho del talón

7. Confirme que el cabezal cortador esté completamente retraído y que no esté en contacto con la pieza trabajada. Con las manos secas, enchufe el cordón de la biseladora en un tomacorriente o un cable de extensión que estén correctamente conectados a tierra. Deben encenderse todas las luces indicadoras.

Adopte la posición correcta para hacer andar la máquina (Figura 19).

- Póngase de pie detrás de la máquina, mirando hacia la manivela y con buen acceso al interruptor de ENCENDIDO/APAGADO. En caso de emergencia, debe ser capaz de APAGAR la máquina.
- Mantenga los pies bien plantados, con buen equilibrio, y asegure que no tenga que estirarse por encima de la máquina.

Oprima el botón de ENCENDIDO (I). Cuando el motor alcanza la velocidad necesaria, se encienden las luces indicadoras amarillas.



Figura 19 – Posición correcta para la operación de la biseladora

8. Con un movimiento continuo y parejo hacia la derecha, haga girar el tornillo de alimentación del cortador (Figura 18). Conecte el cabezal cortador con la pieza

trabajada hasta que el tope toque el calibre de ajuste del talón. No use aceite de corte ni refrigerante.

9. Apriete el tornillo de bloqueo de la placa de deslizamiento hasta trabar el cabezal cortador en su posición correcta (Figura 15). Si el tornillo de bloqueo de la placa de deslizamiento no se aprieta bien, las placas de corte se podrían dañar.
10. Introduzca la manivela en el eje de mando. Con un movimiento controlado y continuo, empiece a girar la manivela hacia la derecha para biselar la pieza trabajada (Figura 20).

Es importante hacer girar la manivela a la velocidad apropiada, para prolongar la vida útil de las placas de corte. Vigile las luces indicadoras LED en la parte de atrás de la máquina. La luz verde indica que la velocidad es la correcta. La luz amarilla indica que tiene que girar la manivela más rápidamente. La luz roja indica que tiene que girarla más lentamente. (Vea la Figura 21.)

Al mirar la manivela desde la parte de atrás de la biseladora, debe girar solamente hacia la derecha (en el sentido de las manecillas del reloj). No impulse la biseladora con un taladro, herramienta de impacto ni con alguna otra herramienta eléctrica. Impulse la biseladora solamente a mano. No use aceite de corte ni refrigerante.

En algunos casos, se acumulan virutas entre la pieza trabajada y los rodillos guía. Casi siempre los rodillos guía se montan encima de las virutas sin ningún problema, excepto por un leve aumento en la fuerza que hay que ejercer sobre la manivela. Si la máquina se traba o es necesario quitar las virutas durante el biselado, apague la biseladora y desenchúfela antes de sacar las virutas o mover la máquina.



Figura 20A – Operación de biselado (pieza fija/biseladora móvil)



Figura 20B – Operación de biselado (pieza fija/biseladora móvil)



Figura 20C – Operación de biselado (biseladora fija/tubo en rotación)

Controle constantemente la posición del cordón (solamente para biseladora móvil) y el recorrido de la biseladora sobre la pieza trabajada. Asegure que el cordón esté alejado del cabezal cortador. A medida que se forma el bisel, asegure que las placas antidesgaste se mantengan al ras con el extremo del tubo o el borde de la chapa. Deje de mover la manivela y presione el botón de APAGADO (●) en las siguientes situaciones:

- Las placas antidesgaste se separan de la pieza trabajada.
- Las placas de corte no agarran la pieza trabajada.
- Es necesario parar el procedimiento por alguna razón.

Esto evita que se salga la biseladora de la pieza trabajada. Repita el procedimiento, empezando con el primer paso, para seguir biselando.



Luces indicadoras

Luces indicadoras	Luces encendidas	Condición
	Todas	Máquina enchufada, interruptor APAGADO
	Dos amarillas	Velocidad de la manivela demasiado lenta
	Una amarilla, una verde	
	Dos verdes	Velocidad óptima de la manivela
	Una verde, una roja	
	Dos rojas	Velocidad de la manivela demasiado rápida

Figura 21 – Luces indicadoras

Siga girando la manivela hasta completar el biselado.

11. Cuando complete el bisel, presione el botón de APAGADO (●) y asegure que el cabezal cortador se detenga completamente. Desenchufe la biseladora del cordón de extensión (solamente para biseladora móvil).
12. Afloje el tornillo de bloqueo de la placa de deslizamiento para destrabar el cabezal cortador.
13. Retraiga el cabezal cortador completamente, mediante el tornillo de alimentación del cortador.
14. Asegure que la biseladora y el tubo trabajado estén en posición segura. Afloje el tornillo de sujeción para abrir los brazos de ajuste y soltar el tubo trabajado.
15. Retire la biseladora de la pieza trabajada. Cuidado con los bordes filosos de la pieza trabajada. Procure no golpear la pieza trabajada contra el cabezal cortador para que no se dañen las placas de corte.

Instrucciones de mantenimiento

⚠ ADVERTENCIA

Antes de cualquier tarea de mantenimiento o de hacer ajustes, asegure que la biseladora esté desenchufada y presione el botón de APAGADO.

Siempre use protección para los ojos.

Haga la mantención de la máquina de acuerdo con estos procedimientos para reducir el riesgo de lesiones por choque de electricidad, enmarañamiento y otras causas.

Limpieza

Después de cada uso, elimine las virutas con un paño

suave y limpio o con un cepillo, especialmente en las partes móviles como los brazos de ajuste, rieles del motor o el tornillo de alimentación. Limpie los agujeros de ventilación del motor para eliminar polvo y residuos.

Limpie la superficie moleteada del rodillo de mando con una escobilla de alambre (Figura 22).



Figura 22 – Superficie moleteada del rodillo de mando, limpia

Lubricación

Mensualmente o con mayor frecuencia si fuera necesario, lubrique todas las partes móviles expuestas (tales como el tornillo de alimentación, tornillo de sujeción y puntos de pivote), con un aceite lubricante liviano. Con un paño, elimine el exceso de aceite de las superficies expuestas. Use grasa de litio para presión extrema (“EP”) para los dos casquillos de engrase en la placa de montaje y el casquillo de engrase en el extremo del rodillo de mando. (Vea la Figura 23.) Agregue grasa suficiente hasta que se salga un poquito de grasa de los bordes de la placa de deslizamiento y de la parte moleteada del rodillo de mando.

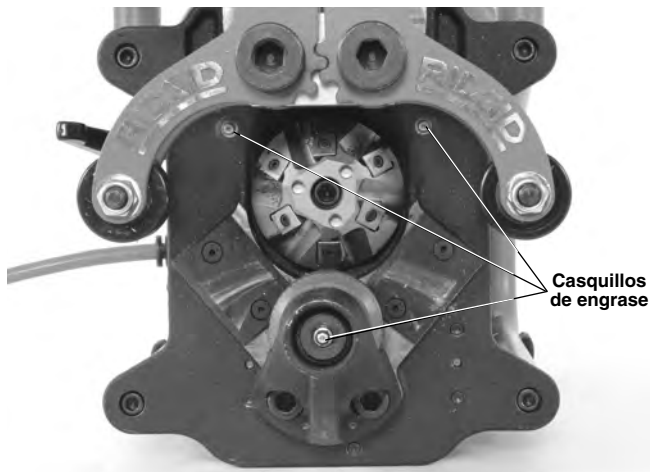


Figura 23 – Casquillos de engrase

Rotación y cambio de las placas de corte

Si los bordes cortantes están embotados, desgastados o aportillados, es necesario rotar o cambiar las placas de corte. Cuando demora más el biselado, es señal de desgaste de las placas de corte. Manipule las placas de corte con cuidado. No deje que se toquen entre sí ni que toquen ninguna superficie dura, ya que se pueden aportillar o dañar.

1. Estando la máquina desenchufada, afloje el tornillo de sujeción para abrir los brazos de ajuste. Las placas de corte se pueden rotar o cambiar estando el cabezal cortador colocado en la biseladora.
2. Con la llave T15 que se incluye, quite los tornillos y las placas de corte del cabezal cortador. Si fuera necesario, use la llave inglesa para girar el cabezal cortador (Figura 24, Figura 25A).
3. Inspeccione las hendiduras de montaje y los tornillos de inserción para verificar que no estén dañados. No use piezas dañadas. Asegure que las hendiduras de montaje estén limpias y sin residuos.
4. Puede instalar un nuevo conjunto de placas de corte, o puede rotar las placas presentes, ya que las placas de corte tienen cuatro bordes cortantes, y así dejar expuesto un nuevo borde cortante en la posición de corte. No mezcle bordes cortantes usados con bordes cortantes nuevos. Todos los bordes cortantes se deben de cambiar al mismo tiempo. **Use solamente placas de corte y tornillos de inserción de marca RIDGID. Si usa otras placas de corte u otros tornillos de inserción puede lesionarse o puede dañar la herramienta.** Coloque una pequeña cantidad de grasa antiadherente sobre el tornillo y vuelva a colocarlo. Apriete el tornillo con firmeza, usando la llave que se incluye. No apriete excesivamente. Cuando

cambie las placas de corte, es posible que observe algo de vapor o humo durante los biselados iniciales. Esto no debe causarle preocupación.



Figura 24 – Cambio de las placas de corte en el cabezal

Cambio del cabezal cortador

Es necesario cambiar el cabezal cortador si desea cambiar el ángulo de biselado. Use solamente cabezales cortadores RIDGID en la biseladora. Si usa otros cabezales cortadores, podría lesionarse o dañar la herramienta.

1. Estando la máquina desenchufada, afloje el tornillo de sujeción para abrir los brazos de ajuste. Introduzca la llave inglesa incluida dentro de los agujeros en el extremo del cabezal cortador, para impedir su rotación.
2. Con una llave hexagonal de $\frac{5}{16}$ " , quite el tornillo de casquete hexagonal que une el cabezal cortador a la biseladora (Figura 25A).
3. Cuidadosamente retire el cabezal cortador. Cuidado con los bordes filosos.
4. Inspeccione la zona de montaje y el cabezal cortador para verificar que no estén dañados ni tengan residuos. No use piezas dañadas.

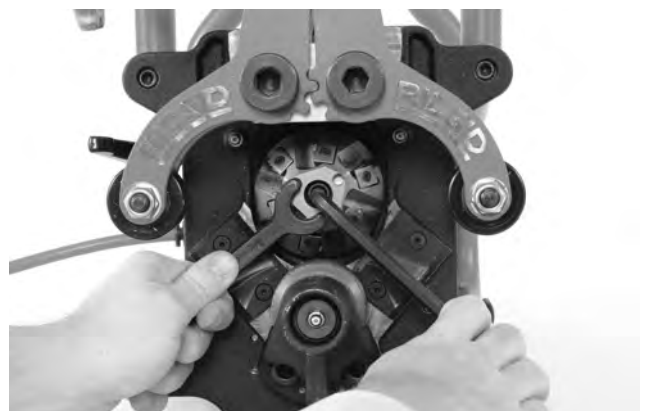


Figura 25A – Cambio del cabezal cortador

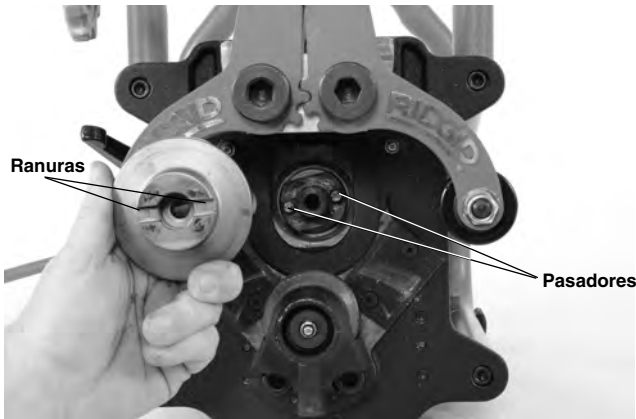


Figura 25B – Cambio del cabezal cortador

5. Cuando cambie el cabezal cortador, asegure que quede asentado ortogonalmente sobre el husillo. Las ranuras en el cabezal cortador tienen que enganchar con los pasadores (Figura 25B). Apriete bien el tornillo de casquete hexagonal, usando la llave hexagonal y la llave inglesa que se incluyen.

Cambio de las escobillas de carbón

Revise las escobillas del motor cada seis meses y reemplace las escobillas cuando se han desgastado hasta tener una altura inferior a media pulgada (13 mm).

1. Para llegar al motor, quite los 4 pernos que unen el bastidor a la placa de montaje. Quite el bastidor del motor (Figura 1).
2. Quite los cuatro tornillos que sujetan la tapa del motor y extraiga la tapa.
3. Con alicates, agarre el alojamiento de cada escobilla y extráigalo en forma recta hacia afuera. Desconecte el conector eléctrico. (Vea la Figura 26.)



Figura 26 – Colocación de las escobillas, una vez retirada la tapa del motor

- 4a. Inspeccione las escobillas. Si tienen una altura inferior a media pulgada (13 mm), reemplace el conjunto entero de escobillas.

- b. Revise el conmutador para ver si está desgastado. Si tiene un desgaste excesivo, hágale servicio a la máquina.
5. Empuje la escobilla hacia abajo para que encaje en el soporte. Introduzca la escobilla y soporte en la caja del motor. Empuje el soporte de la escobilla hacia abajo hasta que esté encajado a presión. Revise el motor para asegurar que las hojas aislantes estén bien colocadas entre la escobilla en su soporte y la caja del motor. Conecte el conector y vuelva a colocar la tapa del motor.
6. Instale el bastidor para que quede bien conectado con la biseladora.

Disyuntor

La biseladora tiene un disyuntor (Figura 1) que se desconecta si el consumo de electricidad es excesivo. En este caso, desenchufe la biseladora. Siga las instrucciones para retirar la biseladora de la pieza trabajada. Inspeccione la biseladora para verificar que no está dañada. Si no tiene ningún daño, presione el botón del disyuntor para reiniciar. Si no es posible reiniciar la biseladora, permita que se enfríe durante 15 minutos. Vuelva a hacer una inspección y empiece nuevamente con el proceso descrito anteriormente.

Placas antidesgaste

Cambie las placas antidesgaste si han perdido más de 0,03" (0,8 mm) de espesor.

Ajuste de la placa de deslizamiento

Si hay demasiada vibración o si es difícil que la biseladora mantenga su posición en la pieza trabajada, es posible que sea necesario ajustar la placa de deslizamiento. Haga el ajuste como sigue:

1. Afloje el tornillo de la placa de deslizamiento.
2. Coloque el tornillo de alimentación del cabezal cortador aproximadamente en la mitad de su carrera.
3. Con una llave de $\frac{3}{8}$ ", afloje las contratueras de la placa de deslizamiento.
4. Con una llave hexagonal de $\frac{5}{32}$ ", apriete en forma pareja (con el mismo número de vueltas) todos los tornillos de montaje de la placa de deslizamiento, hasta que estén apretados. Luego afloje cada tornillo con una media vuelta de la llave.
5. Mantenga bloqueados los tornillos de montaje con la llave hexagonal y luego apriete las contratueras (Figura 27).
6. Lubrique las placas de deslizamiento y dé varias

vueltas al tornillo de alimentación del cabezal cortador. Las piezas deben tener un movimiento parejo, sin agarrotarse y sin que estén flojas. Si fuera necesario, repita el proceso de ajuste.

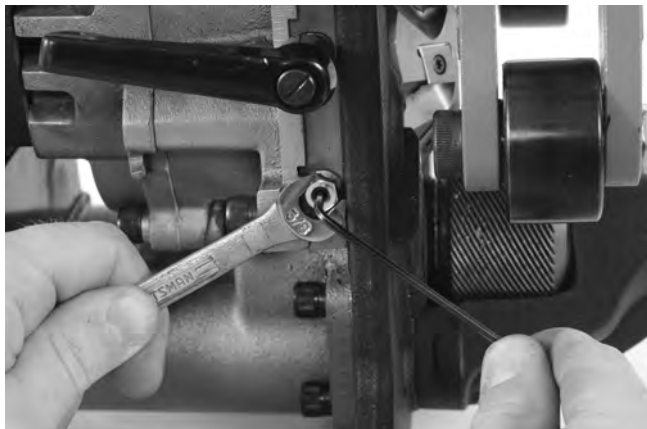


Figura 27 – Ajuste de la placa de deslizamiento

Equipo opcional

⚠ ADVERTENCIA

Para reducir el riesgo de lesiones graves, use solamente accesorios específicamente diseñados y recomendados para la biseladora de tubos portátil Modelo B-500 de RIDGID, tales como los que se nombran en la lista siguiente.

No. en el catálogo	Descripción
48863	Cabezal cortador de 37,5°
48858	Cabezal cortador de 30°
48868	Cabezal cortador de 45°
48873	Juego de 6 placas de corte
48883	Grasa antiadherente, 1 tubo
48888	Llave Torx T15/S7
48893	Llave inglesa
48898	Llave hexagonal de 5/16"
55023	Model TBM-36 Adapter

Puede encontrar información adicional sobre los accesorios específicos para esta herramienta en el catálogo RIDGID y en línea en RIDGID.com y RIDGID.eu

Almacenamiento de la máquina

⚠ **ADVERTENCIA** Mantenga la biseladora portátil Modelo B-500 bajo techo o bien tapada para protegerla de la lluvia. Guarde la máquina en un lugar bajo llave que esté fuera del alcance de niños o personas que no estén familiarizadas con las biseladoras. Esta máquina puede causar graves lesiones en manos de usuarios no capacitados.

Servicio y reparaciones

⚠ ADVERTENCIA

La máquina se torna insegura cuando el servicio o la reparación se hacen en forma indebida.

Las "Instrucciones de mantenimiento" abarcan la mayoría de los servicios que necesita esta máquina. Cualquier problema que no haya sido tratado en esta sección debe ser resuelto únicamente por un técnico autorizado de RIDGID.

La máquina debe llevarse a un servicentro independiente autorizado de RIDGID o devuelta a la fábrica. Use solamente repuestos de la marca RIDGID.

Si necesita información sobre su servicentro independiente autorizado de RIDGID más cercano o si tiene preguntas sobre el servicio o reparación:

- Comuníquese con el distribuidor RIDGID en su localidad.
- Visite RIDGID.com para averiguar dónde se encuentran los centros autorizados de RIDGID más cercanos.
- Comuníquese con el Departamento de Servicio Técnico de Ridge Tool en rttechservices@emerson.com, o llame por teléfono desde EE. UU. o Canadá al (800) 519-3456.

Eliminación de la máquina

Partes de la biseladora Modelo B-500 contienen materiales valiosos y se pueden reciclar. Hay compañías locales que se especializan en el reciclaje. Deseche los componentes de acuerdo con todos los reglamentos correspondientes. Para más información sobre la eliminación de desechos, comuníquese con la agencia local de eliminación de residuos.



Para los países de la Comunidad Europea:
¡No deseche equipos eléctricos en la basura común!

De acuerdo con el Lineamiento Europeo 2002/96/EC para Desechos de Equipos Eléctricos y Electrónicos y su implementación en la legislación nacional, los equipos eléctricos inservibles deben desecharse por separado en una forma que cumpla con las normas del medio ambiente.

Model B-500

Tařınabilir Boru Pahlama Makinesi



! UYARI!

Bu aleti kullanmadan önce Kullanıcı Kılavuzunu dikkatlice okuyun. Bu kılavuzun içeriğinin anlaşılması ve ona uyulmaması elektrik çarpması, yangın ve/veya ağır yaralanmalara yol açabilir.

Model B-500 Tařınabilir Boru Pahlama Makinesi

Ařağıdaki Seri Numarasını kaydedin ve isim levhasındaki ürün seri numarasını muhafaza edin.

Seri
No.

İçindekiler

Makine Seri Numarası İçin Kayıt Formu	59
Güvenlik Sembolleri	61
Genel Elektrikli Alet Güvenlik Uyarıları	61
Çalışma Alanı Güvenliği	61
Elektrik Güvenliği	61
Kişisel Güvenlik	62
Elektrikli Alet Kullanımı Ve Bakımı	62
Servis.....	62
Özel Güvenlik Bilgileri	63
Pahlayıcı Güvenliği	63
Açıklama, Teknik Özellikler ve Standart Ekipman	63
Açıklama.....	63
Teknik Özellikler.....	64
Standart Ekipman.....	65
Simgeler	65
Çalışma Öncesi Kontrol	65
Ayarlama ve Çalıştırma Talimatları	66
İş Parçası Hazırlığı	66
Sabit İş Parçası/Hareketli Pah Makinesi Kurulumu.....	67
Sabit Pahlama Makinesi/Dönen Boru Kurulumu	67
Pahlama.....	69
Bakım Talimatları	73
Temizleme	73
Yağlama.....	74
Kesici Bağaların Döndürülmesi/Değiştirilmesi.....	74
Kesici Başlığın Değiştirilmesi.....	74
Karbon Fırçaların Değiştirilmesi	75
Kırcı	75
Aşınma Plakaları	75
Cıvata Plakasının Ayarlanması.....	75
İsteğe Bağlı Ekipman	76
Makinenin Depolanması	76
Bakım ve Onarım	76
Elden Çıkarma	76
AT Beyanı	Arka Kapağın İçinde
Ömür Boyu Garanti	Arka Kapak

* Orijinal kılavuzun çevirisidir

Güvenlik Sembolleri

Bu kullanıcı kılavuzunda ve ürün üzerinde güvenlik sembolleri ve uyarı kelimeleri önemli güvenlik bilgilerini bildirmek için kullanılmıştır. Bu kısım, bu uyarı kelimelerinin ve sembollerin daha iyi anlaşılması için sunulmuştur.



Bu güvenlik uyarı sembolüdür. Sizi potansiyel yaralanma tehlikesine karşı uyararak için kullanılır. Muhtemel yaralanma veya ölümden sakınmak için bu sembolü izleyen tüm güvenlik mesajlarına uyun.

TEHLİKE

TEHLİKE sakınılmadığı takdirde ölüm veya ciddi yaralanmayla sonuçlanacak tehlikeli bir durumu gösterir.

UYARI

UYARI sakınılmadığı takdirde ölüm veya ciddi yaralanmayla sonuçlanabilecek tehlikeli bir durumu gösterir.

DİKKAT

DİKKAT sakınılmadığı takdirde küçük veya orta derece yaralanmaya yol açabilecek tehlikeli bir durumu gösterir.

BİLDİRİM

BİLDİRİM eşyanın korunmasıyla ilgili bilgileri gösterir.



Bu sembol ekipmanı kullanmadan önce kullanıcı kılavuzunun dikkatlice okunması gerektiği anlamına gelir. Kullanıcı kılavuzu ekipmanın güvenli ve düzgün kullanımına dair önemli bilgiler içerir.



Bu sembol göz yaralanması riskini azaltmak için bu ekipmanı kullanırken daima yan korumaları olan güvenlik gözlükleri veya koruyucu gözlükler ve kulak koruyucunun takılması gerektiğini gösterir.



Bu sembol elektrik çarpması riskini gösterir.



Bu sembol ellerinizin, parmaklarınızın ve vücudunuzun diğer organlarının bıçak tarafından kesilme tehlikesini göstermektedir.



Bu sembol makinenin devrilerek çarpma veya ezilmeden kaynaklanan yaralanmalara yol açma tehlikesi olduğunu belirtir.



Bu sembol bir matkap, darbeli alet veya başka bir elektrikli aletin yerinde kullanım sırasında bu aleti çalıştırmak için kullanılmaması gerektiğini belirtir.

Genel Elektrikli Alet Güvenlik Uyarıları*

UYARI

Bu elektrikli aletle birlikte gelen tüm güvenlik uyarıları, talimatları, çizimleri ve teknik bilgileri okuyun. Aşağıda listelenen talimatların tümüne uyulmaması elektrik çarpması, yangın ve/veya ciddi yaralanmalara yol açabilir.

TÜM UYARI VE TALİMATLARI GELECEKTE BAŞVURMAK ÜZERE SAKLAYIN!

Uyarılardaki "elektrikli alet" terimi elektrik hattından (kablolu) ya da pil ile (kablolu) çalışan elektrikli aletleri kapsar.

Çalışma Alanı Güvenliği

- **Çalışma alanını temiz tutun ve iyi aydınlatın.** Dağınık veya karanlık alanlar kazalara yol açabilir.
- **Elektrikli aletleri alev alabilen sıvıları, gazların ya da tozların olduğu patlayıcı ortamlarda kullanmayın.** Elektrikli makineler toz ya da gazları tutuşturabilecek kıvılcımlar üretebilirler.

- **Elektrikli aletleri kullanırken çocuklar ve izleyenleri uzakta tutun.** Dikkatinizi dağıtan şeyler kontrolü kaybetmenize sebep olabilir.

Elektrik Güvenliği

- **Elektrikli aletlerin fişleri prizlere uygun olmalıdır. Fişleri hiçbir şekilde değiştirmeyin.** Topraklanmış elektrikli aletler ile adaptör fişi kullanmayın. Değiştirilmemiş fişler ve uygun prizler elektrik çarpması tehlikesini azaltacaktır.
- **Aletin gövdesini borular, radyatörler, ocaklar ve buzdolapları gibi topraklanmış yüzeylerle temas ettirmekten kaçının.** Eğer vücudunuz topraklanmışsa elektrik çarpması ihtimali artar.
- **Elektrikli aletleri yağmura ya da ıslak koşullara maruz bırakmayın.** Elektrikli alete giren su, elektrik çarpması ihtimalini artırır.
- **Kabloyu başka amaçla kullanmayın. Kabloyu elektrikli aleti taşımak, çekmek ya da çıkarmak için asla kullanmayın. Kabloyu ısıdan, yağdan, keskin kenarlardan ve hareketli parçalardan uzak tutun.** Hasarlı ve dolaşmış kablolar elektrik çarpması ihtimalini artırır.

* Bu kılavuzun Genel Elektrikli Alet Güvenlik Uyarıları bölümünde kullanılan metin, kanunlar gereği geçerli UL/CSA/EN 62841 standardından harfi harfine alınmıştır. Bu bölümde, pek çok farklı tipte elektrikli alet için genel güvenlik uygulamaları bulunmaktadır. Tüm önlemler her alet için geçerli değildir ve bazı önlemler de bu alet için geçerli olmayabilir.

- **Elektrikli bir aleti açık havada kullanmak için açık havaya uygun uzatma kabloları kullanın.** Açık havada kullanıma uygun kabloların kullanılması elektrik çarpması ihtimalini azaltır.
- **Elektrikli aletin nemli ortamda kullanılması kaçınılmaz ise bir topraklama hatası devre kesici (GFCI) korumalı güç kaynağı kullanın.** GFCI kullanımı elektrik çarpması ihtimalini azaltır.

Kişisel Güvenlik

- **Dikkatli olun, ne yaptığınıza dikkat edin ve elektrikli alet kullanırken sağduyunuzu kullanın. Yorgunken ya da uyuşturucu, alkol veya ilaçların etkisindeyken elektrikli aletler kullanmayın.** Elektrikli makine kullanımı sırasında bir anlık dikkatsizlik ağır yaralanmalara yol açabilir.
- **Kişisel koruyucu ekipmanlar kullanın. Daima göz koruması kullanın.** Toz maskeleri, kaymaz güvenlik ayakkabıları, sert şapkalar ve kulak korumaları gibi koruyucu ekipmanların kullanımı yaralanmaların azalmasını sağlar.
- **Aletin siz farkında olmadan çalışmaya başlamasını engelleyin. Aleti güç kaynağına ve/veya pil takımına BAĞLAMADAN, kaldırmadan veya taşımadan önce anahtarın kapalı konumda olduğundan emin olun.** Parmağınız anahtarın üzerindeyken taşımanız ya da anahtar açık pozisyonda iken güç kaynağına bağlamanız KAZALARA davetiye çıkarır.
- **Elektrikli aleti ON (açık) konuma çevirmeden önce üzerindeki TÜM AYAR ANAHTARLARINI ÇIKARIN.** Elektrikli aletin dönen parçasına takılı olarak bırakılmış bir anahtar yaralanmalara yol açabilir.
- **Aşırı zorlamadan kullanın. Her seferinde uygun düzeyde ve dengede kullanın.** Bu, beklenmedik durumlarda elektrikli aleti daha iyi kontrol etmenizi sağlar.
- **Uygun giyinin. Bol giysiler giymeyin ve takı takmayın. Saçınızı ve giysilerinizi hareket eden parçalardan uzak tutun.** Bol giysiler, takılar ya da uzun saçlar hareket eden parçalar tarafından kapılabilir.
- **Aletler toz aspiratörü ve toplama tertibatı ile birlikte kullanılacaklarsa tüm bunların bağlı ve uygun şekilde çalıştığından emin olun.** Toz toplayıcıların kullanılması, tozlardan kaynaklı kazaları azaltabilir.
- **Aletlerin sık kullanımı dolayısıyla edinilen aşınalığın laubali davranışa ve aletle ilgili güvenlik ilkelerinin ihmaline yol açmasına izin vermeyin.** Dikkatsiz bir eylem bir saniyeden daha kısa sürede ciddi yaralanmaya neden olabilir.

Elektrikli Alet Kullanımı Ve Bakımı

- **Elektrikli aleti zorlamayın. Uygulamanıza uygun elektrikli aleti kullanın.** Doğru elektrikli alet, tasarlandığı oranda daha iyi ve daha güvenli bir iş yapar.
- **Anahtarının açık kapatamaması durumunda o elektrikli ALETİ kesinlikle KULLANMAYIN.** Anahtarı çalışmayan elektrikli alet tehlikelidir ve tamir edilmesi gerekir.
- **Herhangi bir ayarlama yapmadan, aksesuarları değiştirmeden veya elektrikli aletleri durdurmadan önce fişini güç kaynağından çekin ve/veya eğer çıkartılabiliyorsa pil paketini çıkartın.** Bu tür güvenlik önlemleri elektrikli makinenin kazayla çalıştırılması ihtimalini azaltır.
- **Kullanmadığınız elektrikli aletlerinizi çocukların uzanamayacağı yerlerde saklayın ve elektrikli aletleri kullanma deneyimi olmayan ya da bu talimatlardan habersiz kişilerin kullanmalarına izin vermeyin.** Elektrikli aletler eğitimsiz kullanıcıların ellerinde tehlikelidir.
- **Elektrikli aletlerin bakımlarını yapın. Elektrikli aletin çalışmasını etkileyecek yanlış ayarlama ya da hareketli parçaların yanlış bağlanması, parçaların kırılması ve diğer durumlara karşı kontrol edin. Eğer hasarlıysa, elektrikli aleti kullanmadan önce tamir ettirin.** Birçok kaza bakımsız elektrikli aletlerden kaynaklanır.
- **Kesme makinelerini keskin ve temiz tutun.** Uygun şekilde bakımı yapılmış keskin uçlu aletlerin takılıp kalma olasılığı düşüktür ve kontrolleri daha kolaydır.
- **Elektrikli aleti, aksesuarlarını, alet uçlarını vs. çalışma koşullarını ve yapılacak işi göz önünde bulundurarak bu talimatlara uygun olarak kullanın.** Elektrikli aletin tasarlandığı uygulama dışında kullanılması tehlikeli durumlara sebep olabilir.
- **Tutma sapları ve kavrama yerlerini kuru, temiz ve yağ ile gres bulunmayacak şekilde muhafaza edin.** Kaygan tutma sapları ve kavrama yerleri beklenmedik durumlarda aletin güvenli şekilde tutulması ve kontrol edilmesine izin vermez.

Servis

- **Elektrikli aletinizin onarımını vasıflı kişilere sadece aynı yedek parçaları kullanarak yaptırın.** Bu, elektrikli aletin güvenliğinin devamlılığını sağlayacaktır.

Özel Güvenlik Bilgileri

⚠ UYARI

Bu bölüm alete özel önemli güvenlik bilgileri içerir.

Elektrik çarpması veya diğer ciddi yaralanma risklerini azaltmak için Model B-500 Taşınabilir Boru Pahlama Makinesini kullanmadan önce bu uyarıları dikkatli şekilde okuyun.

BU TALİMATLARI SAKLAYIN!

Operatörün kullanması için bu kılavuzu makinenin yanında bulundurun.

Pahlayıcı Güvenliği

- **Daima görme ve işitme koruyucu ekipman kullanın.** Delik açma gereçleri kırılabilir veya parçalanabilir. Delik açma işlemi göze kaçabilecek talaşlar üretir. Delik açma sonucunda zamanla işitmeye zarar verebilecek yüksek gürültü ortaya çıkar.
- **Daima uygun kişisel koruma ekipmanı kullanın.** Yüz korumaları, uzun kollu giysiler, koruyucu ayakkabılar, sert kasklar ve uygun olan diğer ekipmanların kullanılması yaralanma riskini azaltır.
- **Makineyi çalıştırırken bol kıyafetler giymeyin. Kol düğmelerinizi ve ceketinizi ilikleyin.** Makineye doğru uzanmayın. Dolanmaya neden olabilecek kıyafetler makine tarafından yakalanabilir.
- **İzleyenleri çalışma alanından uzakta tutun. Çalışma alanının etrafında minimum 6 feet (2 metre) kadar bir koruma veya barikat oluşturun.** Talaşlar veya kırılan delici aletler fırlatabilir ve işlem sahasının ötesinde yaralanmalara neden olabilir. Çalışma alanının etrafında bir açıklık saylayacak türden bir koruma veya barikat yaralanma riskini azaltır.
- **Bir kişi çalışma sürecini ve ON/OFF (açma/kapatma) anahtarını kontrol etmelidir.** Makine çalışırken çalışma alanında yalnızca operatör bulunmalıdır. Bu, yaralanma riskini azaltmaya yardımcı olur.
- **İş parçası ve pahlama makinesini doğru şekilde destekleyin. Pahlama makinesinin iş parçasına sağlam desteklendiğinden emin olun.** Bu, makinenin ve borunun devrilerek çarpma veya ezilmeden kaynaklanan yaralanmalara neden olma riskini azaltacaktır.
- **Kesici bagalar iş parçasına dokunuyorken pahlama makinesini çalıştırmayın. Kesici başlığı iş parçasına dikkatli şekilde yaklaştırmadan önce tam hıza ulaşmasını sağlayın.** Alet iş parçasıyla temas halindeyken çalıştırılırsa kesici takılabilir, ilerleyebilir veya geri tepebilir.
- **Ellerinizi döner kesici başlıktan uzakta tutun. Aleti veya boruyu elinize almadan önce parçaların tam olarak durmasını sağlayın.** Böylece döner parçaların takılması ihtimalini azaltmış olursunuz.

• **Pahlama makinesini tahriklemek için matkap veya darbeli alet kullanmayın. Pahlama makinesini sadece elle tahrikleyin.** Pahlama makinesini tahriklemek için güç kullanılması yaralanma riskini artırabilir.

• **Boru pahlama sırasında oluşan tozu solumaktan kaçının.** Oluşan tozun bir kısmı kanser, doğum arızaları veya diğer türden yaralanmalara neden olduğu bilinen kimyasallar içerebilir. Uygun soluma korumasını belirlerken boru malzemesi ve kaplamaların kurşun bazlı boya gibi maddeler içerdiğini göz önünde bulundurun.

Bu tür maddelere maruz kalmayla ilgili risk bu tür işleri hangi sıklıkta yapıyor olmanıza ve tozun bileşenine bağlı olarak değişir. Bu tür kimyasallara maruz kalma riskini azaltmak için iyi havalandırılan yerlerde çalışın ve ANSI Z88.2 ve OSHA gibi ilgili düzenlemeler ve standartlara uygun seçilen soluma koruması kullanın.

• **Pahlama makinesini değiştirmeyin veya başka bir amaçla kullanmayın.** Pahlama makinesinin başka uygulamalar için kullanılması veya bu amaçla değişime tabi tutulması alete zarar verebilir, ataşmanlara zarar verebilir ve/veya yaralanmaya neden olabilir.

• **Bu aracı kullanmaya başlamadan önce, ciddi yaralanma riskini azaltmak amacıyla bu uyarılar ve talimatlar ile kullanılacak tüm ekipmanların talimatlarını okuyup anlayın.**

Gerektiğinde, AT uyumluluk beyanı (890-011-320.10) ayrı bir kitapçık olarak, bu kılavuzun yanında yer alır.

Bu RIDGID® ürünü ile ilgili sorularınız için:

- Yerel RIDGID® dağıtıcısı ile irtibat kurun.
- Yerel Ridge Tool irtibat noktasının iletişim bilgilerine erişmek için www.RIDGID.com veya www.RIDGID.eu adresini ziyaret edin.
- İletişim için Ridge Tool Technical Service Department birimine rttechservices@emerson.com adresinde ulaşın veya ABD ve Kanada'da (800) 519-3456 nolu telefonu arayın.

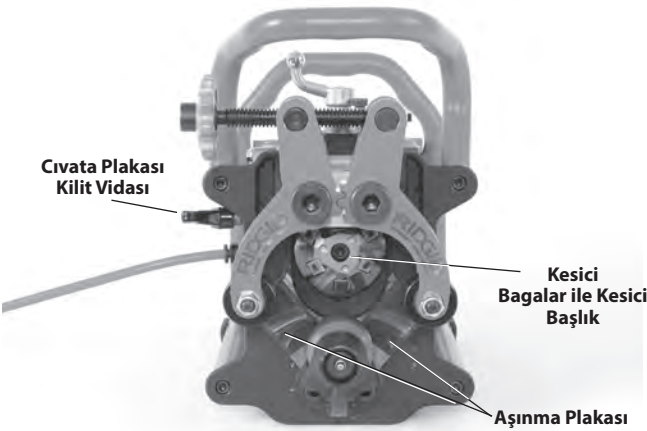
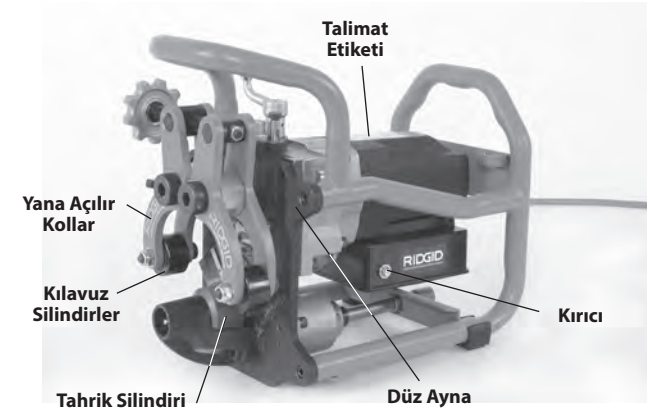
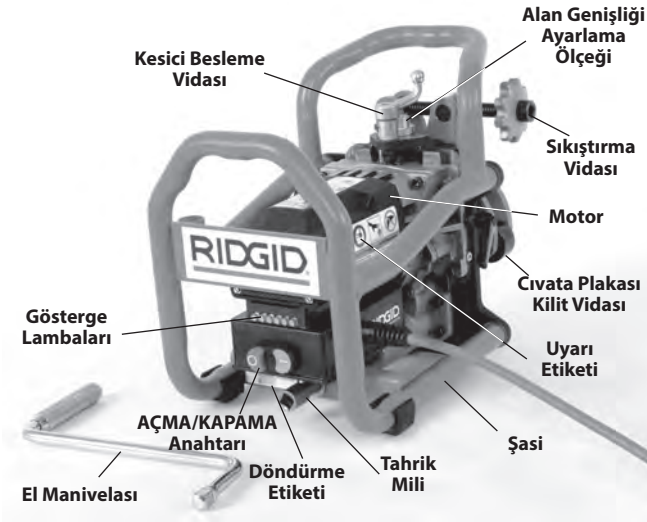
Açıklama, Teknik Özellikler ve Standart Ekipman

Açıklama

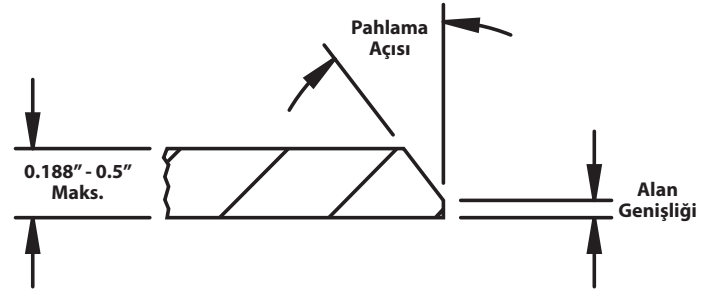
RIDGID® Model B-500 Taşınabilir Boru Pahlama Makinesi, çoğunlukla çelik ve paslanmaz çelik boru uçları ve 0.5" (13 mm) kalınlığa kadar malzemeler üzerindeki plaka kenarlarının kaynak için hazırlanması sırasında pahlamak için kullanılır. Değiştirilebilir kesici bagalara sahip konik kesici başlıklar (bkz. Şekil 24) 30°, 37,5° veya 45° eğimler üretmek için bir motor/şanzıman tarafından tahriklenir (doğru kesici başlıkla).

Eğim, başka bir giydirmeye gerek olmadan tek bir geçişle oluşturulur. Herhangi bir soğutma sıvısı veya kesici yağı kullanılmaz. Alan genişliği uygun şekilde 1/32" (0,8 mm) artımlarla 0 ila 0.188" (0 ila 4,8 mm) arası ayarlanabilir. Pahlama

makinesi, iş parçasını kılavuz silindirler ve bir tahrik silindiri arasında sağlam şekilde tutar. Kesici başlığı pahlama yapılacak makine boyunca manüel hareket ettirmek için çıkartılabilir bir el manivelası kullanılır. Belirli manivela hızlarıyla ilgili geri bildirimde bulunması için gösterge lambaları mevcuttur. Şasi, motoru/şanzımanı korumaya yardım eder ve pahlama makinesinin tutulmasına yardımcı olur.



Şekil 1 – Model B-500 Pahlama makinesi



Şekil 2 – Pahlama Konfigürasyonu

Teknik Özellikler

Kapasite Çapı	Minimum – 4" IPS Boru Maksimum – Düz Plaka
Boru Duvarı/Plaka Kalınlığı	Minimum – 0.188" (4,8 mm) Maksimum – 0.50" (12,7 mm) Malzeme kalınlığı 0.031" (0,8 mm) üzeri bir değişkenlik gösteremez

Boru/Plaka Yönü	Yatay (Bkz. Şekil 6.)
Eğim Açılı	37,5°, 30° ve 45° (doğru kesici başlıkla)

Alan Genişliği 0 ila 0.188" (4,8 mm) yaklaşık 1/32" (0,8 mm) artımlar

Malzemeler* Çoğu Çelik, Paslanmaz Çelik

* Pahlama makinesi kesici başlığı ve bagalar standart A53 hafif paslanmaz çelik için optimize edilmiştir. Diğer malzemelerde azalmış бага ömrü beklenebilir.

* Pahlama becerisi malzeme tipi, kimya, sertlik, çıkartılacak malzemenin miktarı ve diğer faktörleri içeren çeşitli faktörlere bağlı olarak değişir. Çoğu durumda pahlama işlemi yapılamayabilir veya kesici baganın hasar görmesiyle sonuçlanabilir. Pahlama yapılacak belirli malzemeyle ilgili sorularınızın olması durumunda Ridge Tool Technical Service Department ile temas kurunuz.

Yüksüz Çalıştırma

Hız N°.....950/dak

Motor:

Tip	Üniversal
Beygir gücü.....	1,2 HP
Güç.....	120V, 12,5 Amp, 50/60 Hz 230V, 6,5 Amp, 50/60 Hz

Boyutlar:

Yükseklik	13.3" (33,8 cm)
Uzunluk	15.8" (40,1 cm)
Genişlik.....	11.5" (29,2 cm)
Ağırlık.....	52.5 lbs (23,8 kg) Kesici Başlık ve Manivela Kolu ile birlikte

Ses Basıncı (L_{PA})* 92 dB(A), K=3

Ses Gücü (L_{WA})* 105 dB(A), K=3

* Ses ölçümleri Standart EN 62841-1 uyarınca standartlaştırılmış bir test ile yapılır.
- Ses emisyonları bulunduğunuz yere ve bu aletlerin özel kullanımına bağlı olarak değişebilir.

- Ses için günlük maruz kalma seviyeleri her uygulama için değerlendirilmeli ve gerektiğinde uygun güvenlik önlemleri alınmalıdır. Maruz kalma seviyelerinin değerlendirilmesinde, bir alet kapalı olduğu ve kullanılmadığı zamanlar da dikkate alınmalıdır. Bu, toplam çalışma süresince maruz kalma düzeyini önemli ölçüde azaltabilir.

Standart Ekipman

RIDGID® Model B-500 Taşınabilir Boru Pahlama Makinesi aşağıdakilerle birlikte gelir:

- Kesici Başlık, altı kesici bagadan oluşan bir set ile birlikte (Kurulu)
- T15 Anahtar, Kesici Baga Vidaları için
- Kaydırıcı Gres, Kesici Baga Vidaları için
- 1" Tırnaklı Anahtar
- 5/16" Allen Anahtarı
- Kullanıcı Kılavuzu



Şekil 3 – Standart Ekipman

Simgeler

⏻ Güç AÇIK

⏻ Güç KAPALI



Şekil 4 – Makine Seri Numarası

Model B-500 Pahlama makinesi seri numara plakası motor tarafından bulunmaktadır. Son 4 hane, üretim ayını ve yılını gösterir.

BİLDİRİM Uygun malzeme ve tesisat, birleştirme ve kalıp yöntemlerinin seçimi sistem tasarımcısı ve/veya tesisatçının sorumluluğundadır. Uygun olmayan malzeme veya yöntemlerin kullanılması sistemin arızalanmasına neden olabilir.

Paslanmaz çelik ve diğer paslanmaya karşı dirençli malzemeler montaj, birleştirme ve kalıplama sırasında kirlenmeye maruz kalabilir. Bu kirlenme, paslanmaya ve makinenin

ömürünün kısalmasına yol açabilir. Malzemelerin ve kimyasal ve sıcaklık dahil belirli servis koşullarına özgü yöntemlerin dikkatli bir şekilde değerlendirme işlemi herhangi bir montaj işine başlamadan önce tamamlanmalıdır. (İş Parçası Hazırlığı bökümündeki BİLDİRİME bakın.)

Çalışma Öncesi Kontrol

⚠ UYARI



Elektrik çarpması, takılma, üzerine düşme sonucu oluşan yaralanmaları ve diğer vakalar nedeniyle ciddi yaralanma riskini azaltmak ve pahlama makinesinin hasar görmesini önlemek için her kullanım öncesinde makinenizi kontrol edin ve her türlü sorunu giderin.

1. Pahlama makinesinin fişinin çekildiğinden emin olun ve OFF (Kapalı) düğmesine basıldığından emin olun.
2. Kollar ve kontrollere de dahil olmak üzere pahlama makinesindeki yağ, gres, kir veya talaşları temizleyin. Bu, incelemeyi kolaylaştırır ve makinenin veya kontrolün elinizden kaymasını önlemeye yardımcı olur. Makineyi Bakım Talimatlarına göre temizleyin ve bakım yapın.
3. Pahlama makinesini aşağıdakiler için kontrol edin:
 - Kabloyu ve fişi hasar veya değişime uğrayıp uğramadığını görmek için kontrol edin.
 - Doğru montaj, bakım ve eksiksizlik kontrolü yapın.
 - Kırık, yıpranmış, eksik, hızası kaymış veya bağlama parçaları veya diğer bir hasar.
 - Tahrik silindiri dişlisinin temiz ve iyi durumda olduğunu. Gerekirse bir tel fırça ile temizleyin. Aşınmış veya kirlili tahrik silindiri dişlileri kaymaya veya kullanım sırasında takip sorunlarına neden olabilir. Kirli silindirler ve dişliler paslanmaz çelikte demir kontaminasyonuna neden olabilir.
 - Uyarı ve talimat etiketlerinin varlığı ve okunabilirliği (Bkz. Şekil 1).
 - Tutturucular ve kesici başlığın güvenli olduğunu doğrulayın.
 - Tahrik milinin saat yönünde (etikette işaretlendiği gibi) döndüğünü doğrulayın.
 - Kesici başlıktaki kesici bagalarının kesici kenarlarını aşınma, deformasyon, talaş veya diğer sorunlar açısından kontrol edin. Kesici bagaların güvenli olduğunu doğrulayın. Keskinliğini yitirmiş, hasar görmüş veya gevşek bagalar alete hasar verebilir, düşük kalitede kesme işlemine neden olabilir ve yaralanma riskini artırabilir.

- Güvenli ve normal çalışmayı etkileyebilecek başka her türlü durum.

Herhangi bir sorun bulunursa sorunlar çözülmeye kadar aleti kullanmayın.

4. Diğer donanımın talimatlara uygun kullanıldıklarından, böylelikle düzgün çalıştıklarından emin olun.

Ayarlama ve Çalıştırma Talimatları

⚠ UYARI



Daima görme ve işitme koruyucu ekipman kullanın. Delik açma gereçleri kırılabilir veya parçalanabilir. Delik açma işlemi göze kaçabilecek talaşlar üretir. Delik açma sonucunda zamanla işitmeye zarar verebilecek yüksek gürültü ortaya çıkar.

Makineyi çalıştırırken bol kıyafetler giymeyin. Kol düğmelerinizi ve ceketinizi ilikleyin. Makineye doğru uzanmayın. Dolanmaya neden olabilecek kıyafetler makine tarafından yakalanabilir.

İzleyenleri çalışma alanından uzakta tutun. Çalışma alanının etrafında minimum 6 feet (2 metre) kadar bir koruma veya barikat oluşturun. Talaşlar veya kırılan delici aletler fırlayabilir ve işlem sahasının ötesinde yaralanmalara neden olabilir. Çalışma alanının etrafında bir açıklık saylayacak türden bir koruma veya barikat yaralanma riskini azaltır.

Bir kişi çalışma sürecini ve ON/OFF (açma/kapatma) anahtarını kontrol etmelidir. Makine çalışırken çalışma alanında yalnızca operatör bulunmalıdır. Bu, yaralanma riskini azaltmaya yardımcı olur.

İş parçası ve pahlama makinesini doğru şekilde destekleyin. Pahlama makinesinin iş parçasına sağlam desteklendiğinden emin olun. Bu, makinenin ve borunun devrilerek çarpma veya ezilmeden kaynaklanan yaralanmalara neden olma riskini azaltacaktır.

Kesici bagalar iş parçasına dokunuyorken pahlama makinesini çalıştırmayın. Kesici başlığı iş parçasına dikkatli şekilde yaklaştırmadan önce tam hıza ulaşmasını sağlayın. Alet iş parçasıyla temas halindeyken çalıştırılırsa kesici takılabilir, ilerleyebilir veya geri tepebilir.

Ellerinizi döner kesici başlıktan uzakta tutun. Aleti veya boruyu elinize almadan önce parçaların tam olarak durmasını sağlayın. Böylece döner parçaların takılması ihtimalini azaltmış olursunuz.

Pahlama makinesini tahriklemek için matkap veya darbeli alet kullanmayın. Pahlama makinesini sadece elle tahrikleyin. Pahlama makinesini tahriklemek için güç kullanılması yaralanma riskini artırabilir.

Elektrik çarpması, takılma, üzerine düşme sonucu oluşan yaralanmaları ve diğer vakalar nedeniyle ciddi yaralanma riskini azaltmak ve makine hasarının önlenmesine yardımcı olmak için pahlama makinesini bu prosedürlere göre ayarlayın ve çalıştırın.

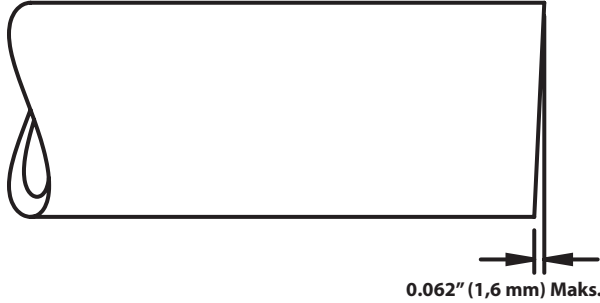
1. Çalışma alanını aşağıdakiler açısından kontrol edin:
 - Yeterli ışıklandırma.
 - Yanıcı sıvılar, alev alabilir buhar veya tozlar. Alanda böyle bir kaynak olması durumunda tanımlayıp düzeltene kadar çalışma yapmayın. Makine patlamaya karşı korumalı olmayıp kıvılcım oluşturabilir.
 - Tüm ekipman ve operatör için temiz, düz, sabit ve kuru bir yer olmalıdır.
 - Doğru voltaja sahip düzgün bir şekilde topraklanmış elektrik prizi. Üç dişli veya GFCI prizler düzgün şekilde topraklanmamış olabilir. Emin olmadığınız durumlarda prizi yetkili bir elektrik teknisyenine kontrol ettirin.
 - Elektrik prizine giden, elektrik kablosuna zarar verebilecek herhangi bir engelin olmadığı açık bir güzergâh.
2. Pahlama makinesi kullanırken genellikle uzatma kabloları kullanmanız gerekir. Aşağıdaki özelliklere sahip bir uzatma kablosu seçin:
 - İyi durumda olan.
 - Pahlama makinesi üzerindeki gibi topraklanmış bir fişe sahip.
 - Açık alanda kullanım için sınıflandırılmış.
 - Yeterli kablo boyutuna sahip. Maksimum 50' (15,2 m) uzunluğa sahip uzatma kabloları için 14 AWG (1,5 mm²) veya daha ağırını kullanın. Maksimum 50'-100' (15,2 m - 30,5 m) uzunluğa sahip uzatma kabloları için 12 AWG (2,5 mm²) veya daha ağırını kullanın.

Kuru elle, uzatma kablosunu prize takın. Uzatma kablosunu pahlama makinesine kadar temiz bir yol boyunca uzatın. Tüm elektrik bağlantılarını kuru ve zeminden uzak tutun. *Sabit İş Parçası/Hareketli Pahlama* konfigürasyonunda makine hareketine izin vermek için makinenin tabanında fazla kablo bırakın (*bkz. Şekil 20 A & B*). Pahlama makinesinin fişini bu sırada prize takmayın.
3. Tüm ekipmanı düzgün şekilde kontrol ettiğinizden emin olun.
4. İzleyenleri çalışma alanından uzakta tutun. Boru ve pahlama makinesinin etrafında minimum 6 feet (2 metre) kadar bir alan oluşturmak için koruma veya barikat ayarlayın. Böylece yoldan geçenlerin kullanım sırasında talaşa maruz kalmasını önlemeye yardımcı olur.

İş Parçası Hazırlığı

Pahlama yapılacak iş parçasını kontrol edin ve Model B-500 Pahlama makinesinin iş için doğru alet olduğundan emin olun. *Teknik Özelliklere bakın.*

Boru için, boru ucu 0.062" (1,6 mm) dahilinde kare olmalıdır, bkz. Şekil 5. Pahlama makinesi borunun ucundaki kesiği takip ediyor ve borunun ucunda kare oluşturmuyor. Plaka için pahlama yapılacak kenar eğimsiz, düz olmalıdır. Pahlama yapılan kenar önceki kesiğe göre daha düz olmayacaktır. Kare harici kenarların pahlaması iz sorunlarına neden olabilir ve pahlama kalitesini etkileyebilir.



Şekil 5 - Borunun Kare Şekli Gereklilikleri

Pahlama makinesi yer değiştirme kesiği (kesme diskisi), testere kesiği veya oksijen kaynağıyla kesme kenarlarında çalışacaktır. Pahlama öncesinde oksijen kaynağıyla kesme sonucu oluşan birikintiyi, 1/32" (0,8 mm) yüksekliğin üzerindeki boru kaynak dikişlerini, büyük çapakları ve kenarın 3" (75 mm) etrafında pahlama yapılacak kenarın her iki tarafında bulunan diğer birikintileri temizleyin. Bu, pahlama makinesinin malzemeyi daha iyi kavramasını ve nüfuz etmesini sağlar. Pahlama makinesinin izleme yaptığından emin olmak için pahlama yapılacak malzeme üzerindeki yağ veya diğer kaplamaları çıkartmak gerekebilir.

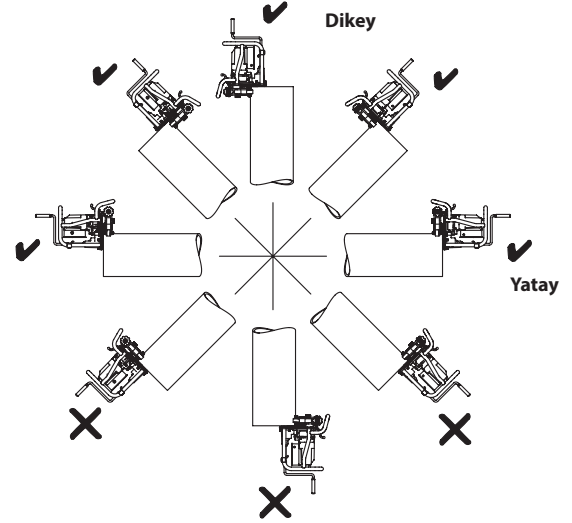
Pahlama makinesinin monte edilip çalışabilmesi için pahlama yapılacak kenardan en az 3" boyutunda engellenmemiş düz boru veya düz plaka bulunmalıdır. Dirsek veya diğer eklentiler gibi kavisli malzemeler kullanmayın.

BİLDİRİM Paslanmaz çelikteki demir kontaminasyonunu engellemek için tahrik ve kılavuz silindirlerinin temiz ve birikintiden uzak olduğundan emin olun. Bir paslanmaz çelik fırçasıyla tam olarak temizleyin. Bagaları değiştirin - paslanmaz çelik için tasarlanmış bagalar kullanın. En doğrusu paslanmaz çelik için tasarlanmış bir pahlama makinesi kullanmaktır.

BİLDİRİM Pahlama makinesini bir kaynak makinesi bağlı materyal üzerinde kullanmayın. Pahlama makinesi kaynak işlemi sırasında bir iş parçasına bağlanırsa, pahlama makinesinin devre parçalarına zarar verebilir.

Sabit İş Parçası/Hareketli Pah Makinesi Kurulumu

Pahlama makinesinin yatay boru ve plakada kullanım için tasarlanmıştır. Aynı zamanda yatay üzeri boru uçlarında da kullanılabilir. Örnekler için Bkz. Şekil 6. Diğer yönlerde kullanılması operatörün üzerine pahlama makinesi ve talaş düşmesine neden olabilir ve buna izin verilmez.



Şekil 6 - Kabu edilebilir (✓) ve Kabul edilemez (✗) boru yönlendirmeleri

Pahlama yapılacak iş parçasının sağlam şekilde monte edildiği ve dengeli olduğundan emin olun. İş parçası ve destek pahlama makinesinin ağırlığı ve oynama veya dönme olmadan pahlama yapmak için gerekli olan güç ile torka dayanacak şekilde olmalıdır. Bir boru mungesi kullandığınızda kullanım sırasında yana yatmasını önlemek için doğru büyüklüğe sahip olmalı ve iyice sabitlenmelidir. Daha uzun borular için, ek uzunluğu desteklemek üzere uygun boru tutma sehpaları kullanın.

Düz plaka üzerinde kullanıldığında pahlama makinesi kenarın ucundan 6 inç mesafede kullanılamaz. Pahlama makinesini yerinde tutmak için kılavuz silindirler plakaya temas etmelidir (Bkz. Şekil 16).

Pahlama yapılırken pahlama makinesinin yerleştirilmesi ve iş parçası boyunca hareket edebilmesi için yeterli boşluk olduğundan emin olun.

Sabit Pahlama Makinesi/Dönen Boru Kurulumu

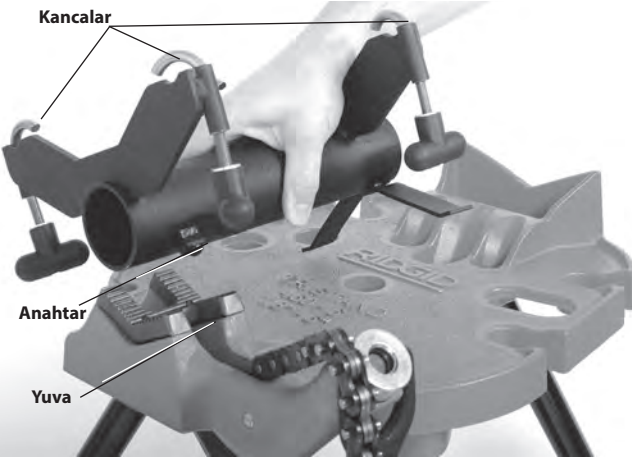
Model TBM-36 Pahlama Makinesi Adaptörü ile (isteğe bağlı ekipman) (Bkz. Şekil 7) B-500 Pahlama makinesi bir RIDGID 450 veya 460 serisi TRISTAND zincir boru menzeline takılır. Pahlama makinesi boru dönerken kullanım sırasında sabit tutulur, kolaylığı artırır ve daha kısa boru parçalarının pahlamasını sağlar. Bu 36" (900 mm) çapına kadar borular için kullanılabilir.

10" Uzunluğunda
½" Uzatma



Şekil 7 – TBM-36 Pahlama Makinesi Adaptörü

1. Kontrol edin ve RIDGID® 450 veya 460 Serisi Taşınabilir TRISTAND zincir boru mengenesini talimatları uyarınca kurun. Arzu edilirse, Taşınabilir TRISTAND zincir boru mengenesinin arka ayağını daha iyi bir stabilite için bağlayın. Ön ayakları bağlamayın. Standın ön ayaklarının bağlanması iyi izleme için gerekli hafif stand hareketine engel olabilir.
2. Adaptörün silindirik gövdesini Şekil 8 üzerinde gösterildiği gibi mengenenin V-çenesine yerleştirin. Anahtarı doğru yerleştirme ve stabilite için mengene çenesinin yuvasına konumlandırın.



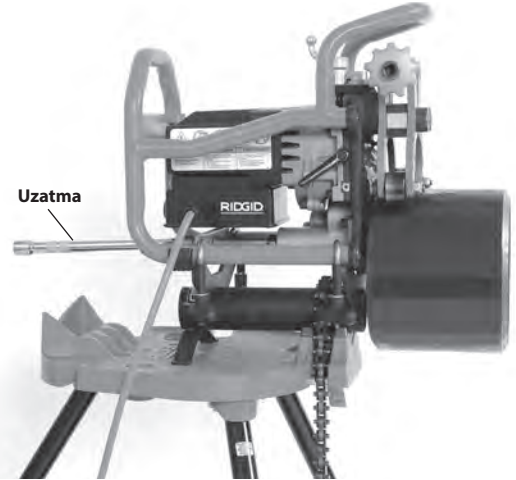
Şekil 8 – Adaptörün Mengeneye Takılması

3. Mengene zincirini adaptörün gövdesi üzerine yerleştirin ve adaptörü yerinde tutması için zinciri emniyetli bir şekilde sıkın.
4. Adaptör kancası topuzlarını tamamen gevşetin ve kancayı dışarı doğru taşıyın.
5. Pahlama makinesini emniyetli bir şekilde kavrayın ve Şekil 9 üzerine gösterildiği gibi adaptörün üzerine yerleştirin.



Şekil 9 – Pahlama Makinesinin Adaptöre Tespit Edilmesi

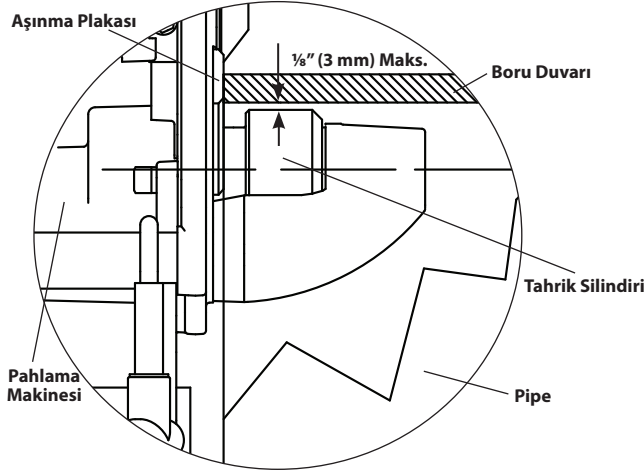
6. Kancaları pahlama makinesi çerçevesi üzerinden geçirin ve topuzları emniyetli bir şekilde sıkın (Şekil 9).
7. Stand ve ekipmanın sabit olduğundan emin olun.
8. Sağlanan 10" uzunluğundaki ½" tahrik uzatmasını Pahlama makinesi tahrik miline takın (bkz. Şekil 10).
9. 12" (300 mm) uzunluğundan kısa ve 50 pound (22 kg) değerinden hafif bir boruyu pahlarken, pahlama makinesi ve Taşınabilir TRISTAND Boru Mengenesi sabit ve emniyetli olduğu sürece, boruyu desteklemek için boru standına gerek yoktur. Boru doğrudan tahrik silindiri üzerine yerleştirilir ve yönlendirme silindirleri ile tespit edilir (Şekil 10).



Şekil 10 – Sabit Pahlama Makinesi, 12" Uzunluğundan kısa, 50 Pound altında boru

Pahlanacak boru 12" (300 mm) değerinden uzun veya 50 lbs (22 kg) değerinden ağırsa, boru boru veya ekipmanın devrilme ve düşme riskini azaltmak için uygun bir boru standı ile desteklenmelidir. Standlar borunun pahlama sırasında dönmesine izin vermek için silindirlerle donatılmalıdır. Uygun olmayan boru destekleri veya borunun elle desteklenmesi borunun ve ekipmanın devrilmesi veya düşmesi sonucu yaralanmalara neden olabilir.

Boru standlarını pahlama makinesi tahrik silindiri ile aynı hizaya yerleştirin. Mümkünse her zaman en az iki boru standı kullanın. Kavramadan önce boru üst iç çapı pahlama makinesi tahrik silindirinin üst kenarı ile aynı yükseklikte olmalı veya $\frac{1}{8}$ " (3 mm) kadar daha yüksek olmalıdır (bkz. Şekil 11). Boru pahlama makinesi tahrik silindiri ile paralel olmalıdır. Borunun iç çapını tahrik silindirinin üst kenarından daha aşağıya yerleştirmeyin - bu stabilite ve izlemeyi düşürebilir.

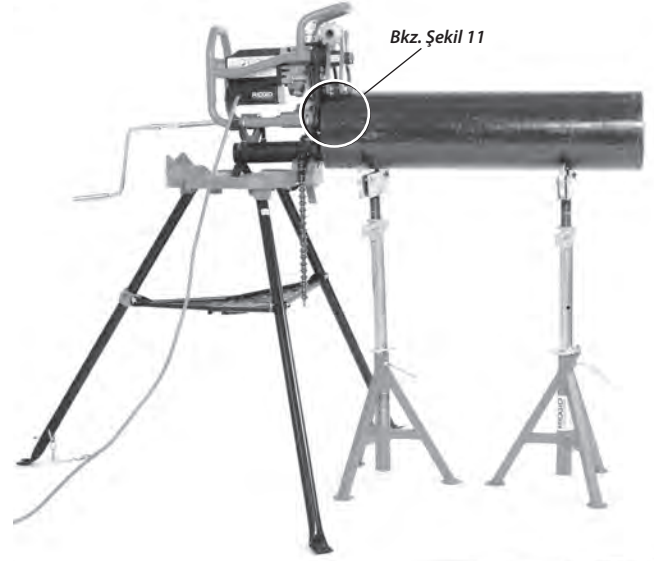


Şekil 11 – Sabit Pahlama Makinesi, Pahlama Makinesi Tahrik Silindiri ile ilişkili Boru Pozisyonu (Boruyu Kesin - Kavrama Öncesine)



Şekil 12 – Sabit Pahlama Makinesi, Kısa Boru, Bir Boru Standı

Borunun kısa bölümleri ve bir boru standı ile kullanıldığında, boru pahlama makinesi tahrik silindiri ve boru standı üzerinde desteklenecektir (bkz. Şekil 12). Daha uzun borular ve çoklu boru standları ile kullanıldığında, boru Şekil 13 üzerinde gösterildiği gibi standlar üzerinde desteklenecektir.



Şekil 13 – Sabit Pahlama Makinesi, Uzun Boru, Çoklu Boru Standları

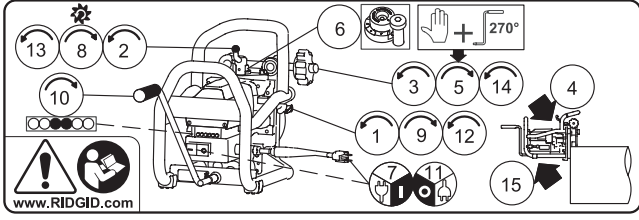
Boru ile Pahlama makinesi kurulumu ve izlenmesi pahlama öncesinde onaylanabilir. Pahlama talimatlarını izleyerek fakat makineyi AÇMADAN, boruyu kavraması için kelepçe vidasını el ile artı $\frac{3}{4}$ tur sıkın. Döndürme kolunu takın ve boruyu gezdirmek için döndürün. Boru dönerken boru ucu aşınma plakaları ile aynı düzeyde (Şekil 15B) kalmalıdır. Değilse, kurulumun ayarlanması gerekir.

Pahlama

B-500 Taşınabilir Boru Pahlama Makinesi iki konfigürasyonda kullanılabilir, iş parçası sabit ve pahlama makinesi etrafından hareket eder şekilde (Sabit İş Parçası/Hareketli Pahlama Makinesi) veya pahlama makinesi Model TBM-36 Pahlama Makinesi Adaptörüne sabit ve boru pahlama makinesine nispetle hareketli (Sabit Pahlama Makinesi/Dönen Boru) Bu konfigürasyonlar için Kurulum bilgilerine bakın.

Farklı malzeme karakteristikleri nedeniyle günün ilk pahlama işlemi öncesi veya malzeme tipi, malzeme kalınlığı, pahlama açısı veya alan genişliği değiştirilirken daima test amaçlı bir pahlama yapılmalıdır.

Temel işlem bilgilerini içeren bir etiket pahlama makinesi motorunun üzerindedir. Etiketeki adımlar bu bölümdeki adımları takip eder. Bu etiket, doğru kullanımla ilgili tüm bilgileri içeren kullanım kılavuzunun yerine geçmez.



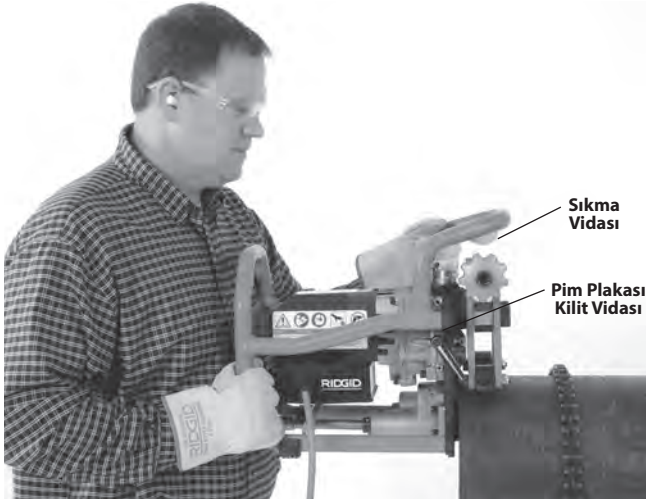
Şekil 14 – Talimat Etiketi

1. Cıvata plakası kilit vidasının gevşek olduğunu doğrulayın.
2. Kesici başlığını (tahrik silindirinden uzakta) tam olarak yatırmak için kesici besleme vidası sayacını saat yönünde çevirin.
3. Yana açılır kolu iş parçasının monte edilmesi için yeterli genişlikte bir konumda açmak üzere sıkıştırma vidasını çevirin.
4. Pahlama makinesi ve iş parçasının bir araya getirilmesi.

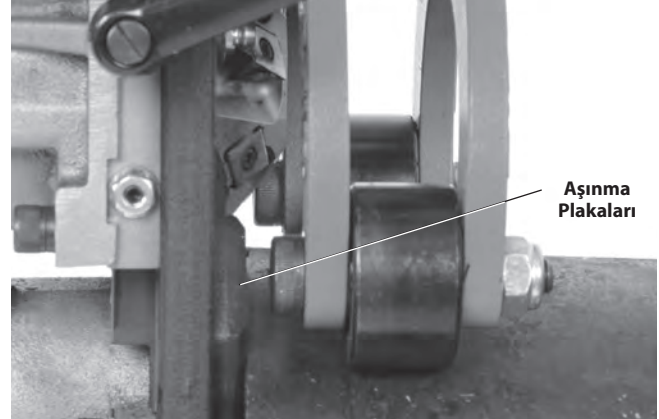
Sabit İş Parçası/Hareketli Pahlama Makinesi

Pahlama makinesi ve iş parçasının doğru şekilde kurulduğunu onaylayın.

Pahlama makinesini sağlam şekilde tutun ve boruyu kılavuz silindirler dış çap üzerinde (kılavuz, düz plaka için eğim elde edecek tarafta döner) ve tahrik silindiri boru içerisinde (eğimden uzak tarafta) olacak şekilde yerleştirin. Pahlama makinesi üzerindeki aşınma plakalarının boru ucu veya plaka kenarında düzleştiğinden emin olun (Şekil 15B). Bagalara zarar vermeyi önlemek için Kesici Başlığı boru veya plakaya vurmeyin. Pahlama makinesini iş parçasına sabitlenen kadar tutun.

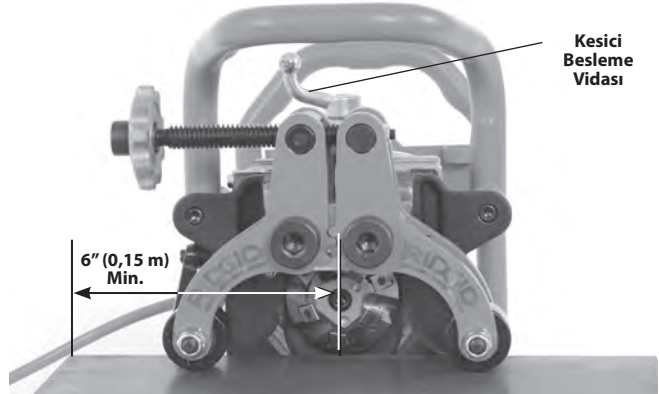


Şekil 15A – Pahlama Makinesinin Boru Üzerine Yerleştirilmesi

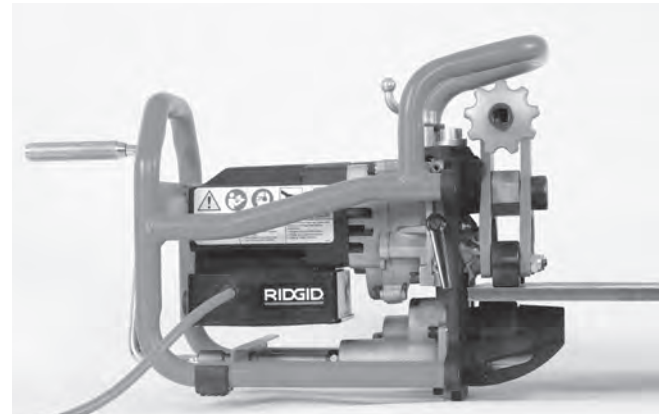


Şekil 15B – Aşınma Plakası Borunun Ucuna Yanaşır

Düz plaka üzerinde kullanıldığında pahlama makinesi kenarın ucundan 6 inç mesafede kullanılamaz. Pahlama makinesini yerinde tutmak için kılavuz silindirler plakaya temas etmelidir (Bkz. Şekil 16).



Şekil 16A – Pahlama Makinesi Plakanın Üzerinde

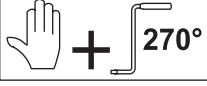


Şekil 16B – Pahlama Makinesinin Plakanın Üzerinde Kurulması

Sabit Pahlama Makinesi/Döner Boru

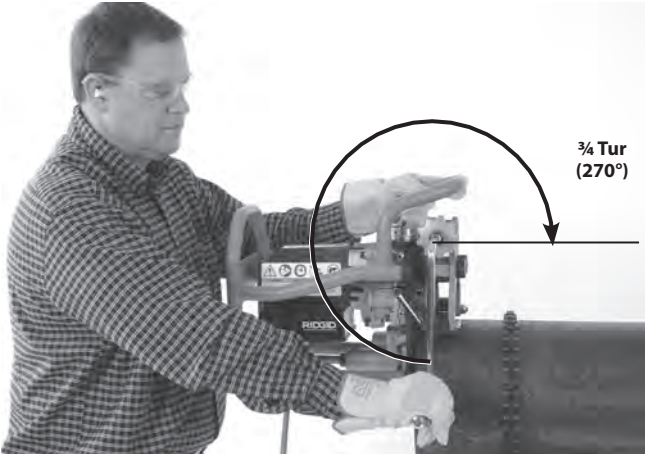
Pahlama makinesinin, boru standlarının ve borunun düzgün şekilde kurulduğunu doğrulayın (bkz. Şekil 10, 12 ve 13).

Boruyu pahlama makinesinin tahrik silindirine yerleştirin. Pahlama makinesi üzerindeki aşınma plakalarının boru ucu veya plaka kenarında düzleştiğinden emin olun. Bagalara zarar vermeyi önlemek için Kesici Başlığı iş parçasına vurmayın. Pahlama makinesi tarafından tespit edilene kadar boruyu tutun.

5. Sıkıştırma vidasını elle iyice sıkın ayrıca malzemeyi kılavuz silindirler ve tahrik silindiri arasında tutmak için sağlanan el manivelasıyla ilave bir $\frac{3}{4}$ tur (270°) (Şekil 17) çevirin.  Pahlama makinesinin malzemeye sabitlendiğinden ve makine ile malzemenin dengede olduğundan emin olun. El manivelasını çıkartın. El manivelasını sıkıştırma vidası üzerinde bırakmayın. Pahlama makinesi, iş parçası üzerinde sabitlenene kadar pahlama yapmaya çalışmayın.



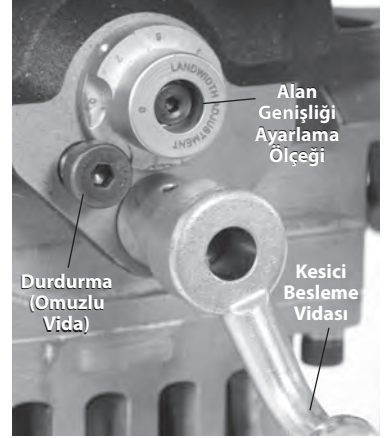
Şekil 17A – Sıkıştırma Vidasını Elle Sıkın



Şekil 17B – Sıkıştırma Vidasını İlave $\frac{3}{4}$ Tur (270°) Sıkın

6. İsteddiğiniz pahlama alanı genişliğini ayarlayın (Şekil 3)

ve bunun için alan genişliği ayarlama ölçeğini kullanın. "0" olarak ayarlandığında borunun ucunda hiç alan olmaz. Alan genişliği ayarlama ölçeğinde her bir adım, bitişik adıma göre yaklaşık $\frac{1}{32}$ " (0,8 mm) farklıdır. (1 ~ 0.03" (0,8 mm) alan genişliği, 2 ~ 0.06" (1,6 mm), vb.) Ölçeğin gerekli adımını ölçek durdurma başlığı altında hizalanana kadar hareket ettirin.

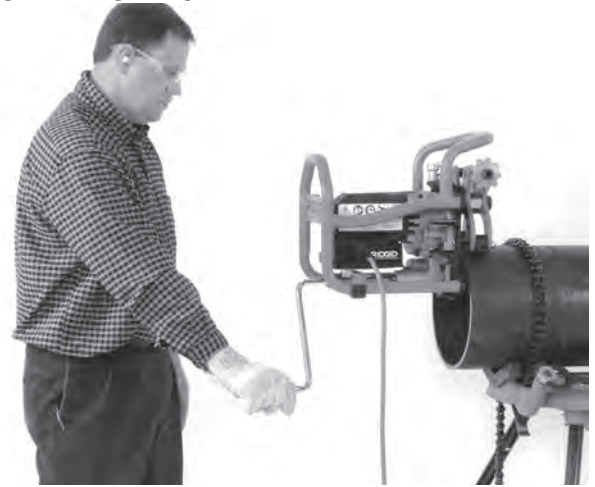


Şekil 18 – Alan Genişliği Ayarlama Ölçeği Ayarı

7. Kesici başlığın tam olarak katlandığını ve iş parçasıyla temas etmediğini onaylayın. Elleriniz kuru olarak, pahlama makinesi elektrik kablosunu düzgün topraklanmış bir priz/uzatmaya takın. Tüm gösterge ışıkları yanıyor olmalıdır. Uygun bir kullanma konumu belirleyin (Şekil 19).

- Makinenin arkasında, AÇMA/KAPAMA anahtarına kolay erişimi olan ve el manivelasına bakan konumda durun. Acil bir durumda, makineye KAPATABİLMENİZ gerekir.
- İyi bir dengeye sahip olduğunuzdan ve aşırı uzanmak zorunda olmadığınızdan emin olun.

ON (AÇMA) anahtarına basın (I). Motor hızlanmaya başladığında sarı gösterge lambaları YANIYOR olmalıdır.



Şekil 19 – Düzgün Çalıştırma Konumu

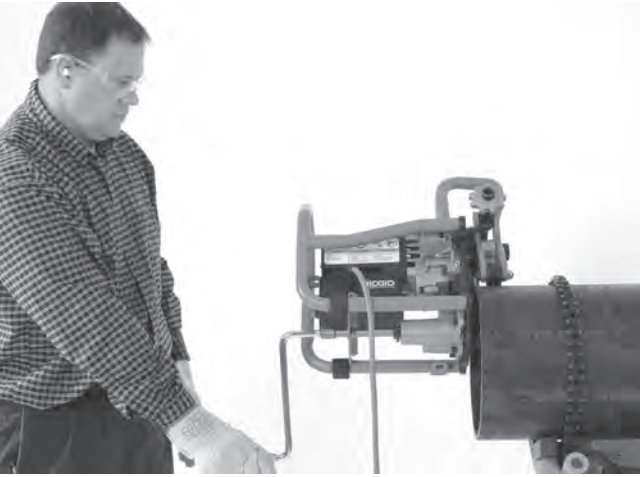
8. Kesici besleme vidasının saat yönünde sürekli bir düzgün hareketini kullanarak (Şekil 18); kesici başlığını, durdurucu alan genişliği ayarlama ölçeğine temas edene kadar iş parçasına tutturun. Soğutma sıvısı veya kesici yağı kullanmayın.

9. Cıvata plakası kilit vidasını kesici başlık yerine kilitlenecek şekilde sıkın (Şekil 15). Cıvata plakası kilit vidası sağlam şekilde sıkılmazsa kesici bagaları hasar görebilir.
10. El manivelasını tahrik miline takın. Kontrollü ve kesintisiz bir hareketle, pahlamak için el kolunu saat yönünde döndürmeye başlayın (Şekil 20).

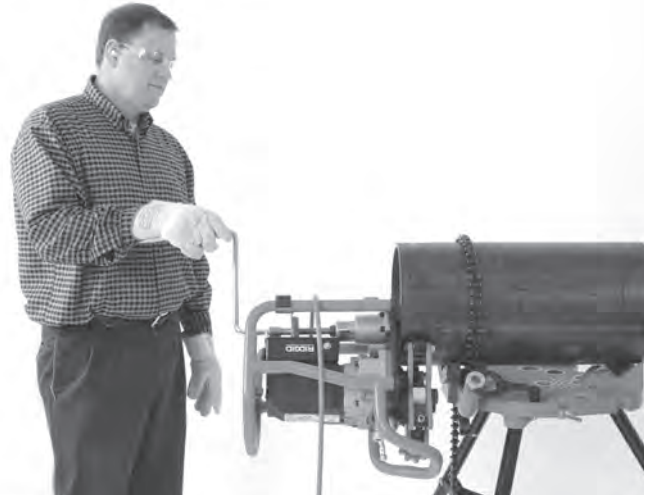
Kesici bagaların ömrünü uzatmak için doğru dönüş hızının sağlanması önemlidir. Ünitenin arka tarafındaki LED göstergeler lambalarını takip edin. Yeşil, doğru hızı gösterir. Sarı, el manivelasını daha hızlı çevirmeniz gerektiğini gösterir. Kırmızı, kolu daha yavaş çevirmeniz gerektiğini gösterir. (Bkz. Şekil 21.)

Manivela, pahlama makinesinin arkasından bakıldığında sadece saat yönünde çevrilmelidir. Pahlama makinesini tahriklemek için matkap, darbeli alet veya elektrikli alet kullanmayın - sadece elle tahrikleyin. Soğutma sıvısı veya kesici yağı kullanmayın.

Bazı durumlarda iş parçası ve kılavuz silindirler arasında talaş oluşur. Çoğu durumda, talaşlar üzerinde hareket gücünde hafif bir artış haricinde herhangi bir sorun olmadan hareket eder. Pahlama sırasında ünite takılırsa veya talaşların giderilmesi gerekirse, talaşları gidermeden veya aleti taşımadan önce aleti kapalı konuma getirin ve fişini çekin.



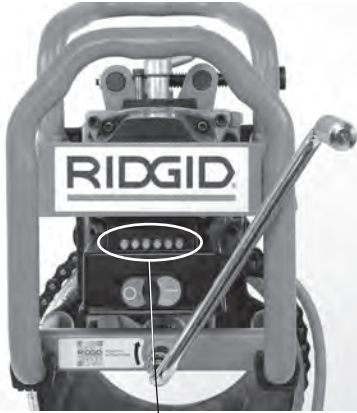
Şekil 20A – Pahlama İşlemi (Sabit İş Parçası/Hareketli Pahlama Makinesi) Pahlama İşlemi



Şekil 20B – Pahlama İşlemi (Sabit İş Parçası/Hareketli Pahlama Makinesi)



Şekil 20C – Pahlama İşlemi (Sabit Pahlama Makinesi/ Dönen Boru)



Gösterge Lambaları

Gösterge Lambaları	Lambalar Yanıyor	Koşul
	Tümü	Takıldı, KAPATIN
	İki Sarı	Manivela hızı çok düşük.
	Bir Sarı/Bir Yeşil	
	İki Yeşil	Optimum manivela hızı.
	Bir Yeşil/Bir Kırmızı	
	İki Kırmızı	Manivela hızı çok yüksek.

Şekil 21 – Gösterge Lambaları

Sürekli olarak kablonun pozisyonunu (sadece hareketli pahlama makinesi) ve pahlama makinesinin iş parçası üzerindeki izini izleyin. Kablonun, kesici başlığın uzağında olduğundan emin olun. Eğim oluşturulduğunda aşınma plakalarının borunun ucu veya plaka kenarıyla aynı hizada olduğundan emin olun. El manivelasını döndürmeyi bırakın ve KAPALI (O) düğmesine basın. Eğer şunlardan biri olursa:

- Aşınma plakası iş parçasından uzağa hareket ederse.
- Kesiciler iş parçasıyla birbirine tutunmazsa.
- İşlemin herhangi bir nedenle durdurulması gerekirse.

Bu, pahlama makinesinin iş parçasının yolundan çıkmasının önlenmesine yardımcı olur. Pahlamaya devam etmek için birinci adımdan başlayarak prosedürü tekrarlayın.

Pahlama tamamlanana kadar kolu döndürmeye devam edin.

11. Pahlama tamamlandığında OFF (Kapalı) düğmesine basın (O) ve kesici başlığın tamamen durma noktasına geldiğinden emin olun. Pahlama makinesini uzatmadan çıkarın (Sadece Hareketli Pahlama Makinesi).
12. Kesici başlık kilidini açmak için cıvata plakası kilit vidasını gevşetin.
13. Kesici besleme vidasını kullanarak kesici başlığı tam olarak geriye çekin.
14. Pahlama makinesi ve iş parçasının sabit olduğundan emin olarak, iş parçasını serbest bırakmak amacıyla yana açılır kolları açmak için sıkma vidasını gevşetin.
15. Pahlama makinesi ve iş parçasını ayırın. Borunun keskin kenarlarına dikkat edin. Bagalara zarar vermeyi önlemek için Kesici Başlığı boruya vurmamaya dikkat edin.

Bakım Talimatları

⚠ UYARI

Herhangi bir bakım veya ayarlama yapmadan önce pahlama makinesinin fişinin çekili olduğundan emin olun ve OFF (Kapalı) düğmesine basın.

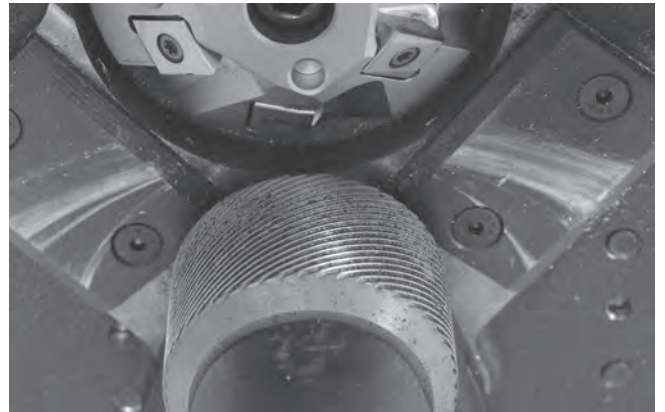
Daima göz koruması kullanın.

Elektrik çarpması, takılma ve diğer vakalar nedeniyle ciddi yaralanma riskini azaltmak için pahlama makinesindeki bakım işlemlerini bu talimatlara göre yürütün.

Temizleme

Her kullanım sonrasında, yana açılır kollar, kırlangıç kuyruğu şekilli raylar veya besleme vidası gibi özellikle nispi hareket alanlarındaki talaşları yumuşak ve temiz bir bez veya fırçayla temizleyin. Motor havalandırmasındaki toz ve tortuları temizleyin.

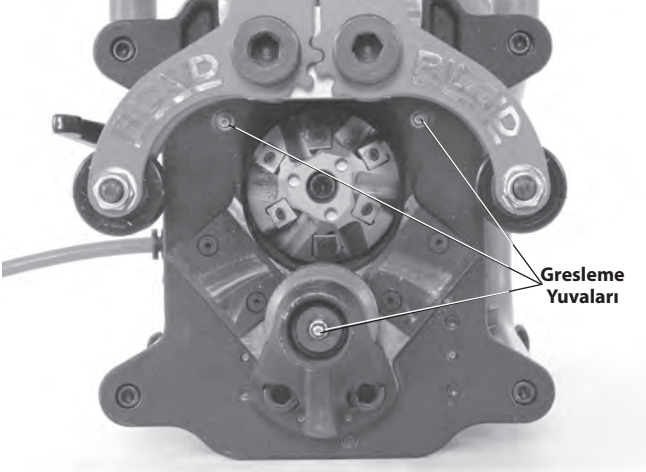
Tahrik silindiri dişlisini bir tel fırça ile temizleyin (Şekil 22).



Şekil 22– Tahrik Silindiri Dişlisini Temizleme

Yağlama

Tüm maruz kalan hareketli parçaları (örn. besleme vidası, sıkıştırma vidası ve pivot noktaları) ayda bir kez (veya gerekirse daha sık) hafif bir yağlama yağı kullanarak yağlayın. Maruz kalan yüzeylerdeki aşırı yağı silin. Düz ayna üzerindeki iki gresleme yuvası ve tahrik silindirin ucundaki bir gresleme yuvası için bir aşırı basınç ("EP") lityum gres kullanın. (Bkz. Şekil 23.) Küçük bir miktar dışarı taşana kadar (cıvata plakası uçlarına ve tahrik dişli ucuna) gres ekleyin.



Şekil 23 – Gresleme Yuvaları

Kesici Bagaların Döndürülmesi/Değiştirilmesi

Kesici kenarları keskinliğini kaybetmiş, aşınmış veya kırılmışsa kesici bagalarının döndürülmesi veya değiştirilmesi gerekir. Kesme süresinin artması kesici baganın aşınmasının bir göstergesidir. Bagalara yapılan müdahalelerde dikkatli olun. Bagaların birbirine veya diğer sert yüzeylere temas etmesine izin vermeyin, kırılabilir veya hasar görebilirler.

1. Yana açılır kolları sıkıştırma vidası kullanarak ve kablonun fişi çekilmiş şekilde açın. Bagalar, kesici başlık pahlama makinesi üzerindeyken döndürülebilir/değiştirilebilir.
2. Ürünle birlikte gelen T15 бага anahtarını kullanarak vidalar ve bagaları kesici başlıktan çıkartın. Gerekirse kesici başlığı çevirmek için somun anahtarı kullanın (Şekil 24, 25A).
3. Baga montaj ceplerini ve бага vidalarını hasar açısından kontrol edin. Hasarlı parçaları kullanmayın. Montaj ceplerinin temiz ve birikintiden uzak olduğundan emin olun.
4. Kullanılmamış bir kesici kenarı kesme konumuna getirmek için yeni bir бага setini takın veya mevcut bagaları çevirin (kesici bagaların 4 kesici kenarı vardır). Yeni ve kullanılmış kesici kenarları birlikte kullanmayın - tüm kesici kenarlar aynı zamanda değiştirilmelidir. **Sadece RIDGID marka bagalar ve бага vidaları kullanın. Diğer marka bagalar yaralanmaya neden olabilir veya alete hasar verebilir.** Vida üzerine az bir miktar kaydırıcı gres koyun ve

yeniden takın. Vidayı ürünle birlikte gelen anahtarla sağlam şekilde sıkın. Aşırı sıkımayın. Bagalar değiştirildiğinde ilk birkaç pahlama sırasında az bir miktar buhar veya duman görebilirsiniz. Bu, bir sorun olduğu anlamına gelmez.

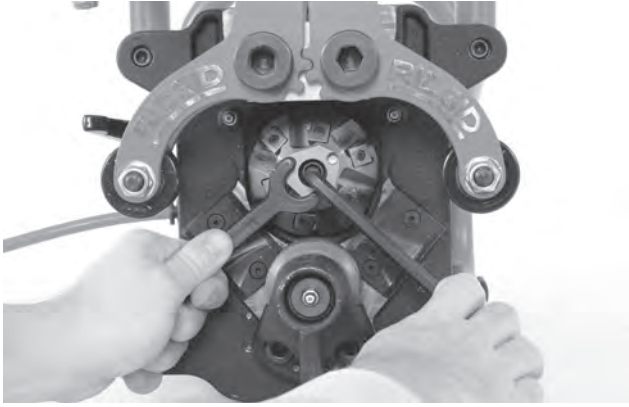


Şekil 24 – Kesici Bagaların Değiştirilmesi

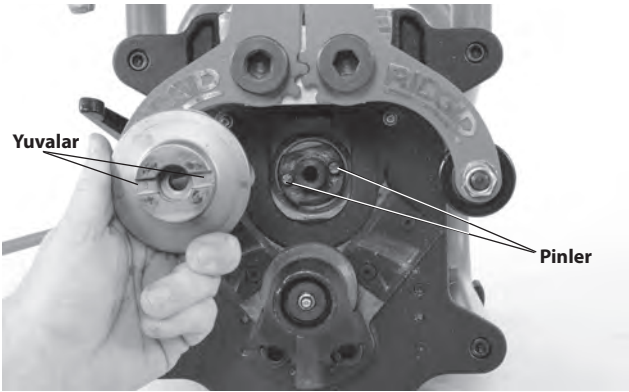
Kesici Başlığın Değiştirilmesi

Kesici Başlıkların farklı pahlama açıları açısından değiştirilmesi gerekir. Pahlama makinesi için sadece RIDGID marka kesici başlıklar kullanın, Diğer kesici başlıklar yaralanmaya neden olabilir veya alete hasar verebilir.

1. Yana açılır kolları sıkıştırma vidası kullanarak ve kablonun fişi çekilmiş şekilde açın. Dönmesini önlemek için kesici başlığın ucundaki deliklere, ürünle birlikte gelen somun anahtarını takın.
2. Bir 5/16" allen anahtarı kullanarak Kesici Başlığı yerinde tutan soket başlı kapak vidasını çıkartın (Şekil 25A).
3. Kesici başlığı dikkatli bir şekilde çıkartın. Keskin kenarlarına dikkat edin.
4. Montaj bölgesi ve kesici başlığı hasar veya tortu açısından kontrol edin. Hasarlı parçaları kullanmayın.
5. Kesici başlığı çıkartırken, kesici başlıktaki yuvalar tahrik pimlerine yerleşecek şekilde yay üzerinde dümdüz oturduğundan emin olun (Şekil 25B). Ürünle birlikte gelen allen anahtarını ve somun anahtarını kullanarak soket başlı kapak vidasını sağlam sıkın.



Şekil 25A – Kesici Başlıkların Değiştirilmesi

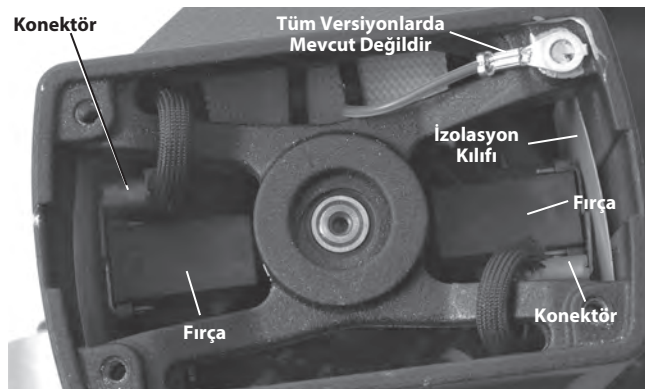


Şekil 25B – Kesici Başlıkların Değiştirilmesi

Karbon Fırçaların Değiştirilmesi

Motor fırçalarını altı ayda bir kontrol edin ve ½" (13 mm) değerinden az aşınmaları halinde değiştirin.

1. Motor erişimi için şasiyi düz aynada tutturun 4 civatayı sökün ve şasiyi çıkartın (Şekil 1).
2. Motor kapağını tutan dört vidayı sökün ve kapağı çıkartın.
3. Bir kargaburun kullanarak motor fırça yuvalarını düz şekilde çekin. Elektrik konektörünü ayırın. (Bkz. Şekil 26.)



Şekil 26 – Fırça Değiştirme - Motor Kapağı Çıkartılmış

- 4a. Fırçaların ½" (13 mm) uzunluğun altında olup olmadığını kontrol edin ve fırçaları takım halinde değiştirin.
- b. Komütatörü aşınma açısından kontrol edin. Aşırı derecede aşınmışsa makineyi servise gönderin.
5. Fırçayı tutucuya bastırın ve motor mahfazasına takın. Fırça mahfazasını sıkıca aşağıya bastırın ve yerine oturduğundan emin olun. İzolasyon kılıflarının fırça tutucu ve mahfaza arasına düzgün şekilde yerleştiğinden emin olmak önce kontrol edin. Konektörü takın ve motor kapağını değiştirin.
6. Şasiyi pahlama makinesine güvenli bir şekilde takın.

Kırıcı

Pahlama makinesinde bir kırıcı bulunur (Şekil 1) ve bu kırıcı aşırı akım çekişiyle hareket eder. Bunun meydana gelmesi durumunda pahlama makinesinin fişini çekin. Bu talimatları kullanarak pahlama makinesini iş parçasından ayırın ve makinede hasar olup olmadığını kontrol edin. Eğer hasar yoksa sıfırlamak üzere kırıcı düğmesine basın. Kırıcı sıfırlanmazsa 15 dakika pahlama makinesinin soğumasını bekleyin. Kontrol ile başlayarak işleme devam edin.

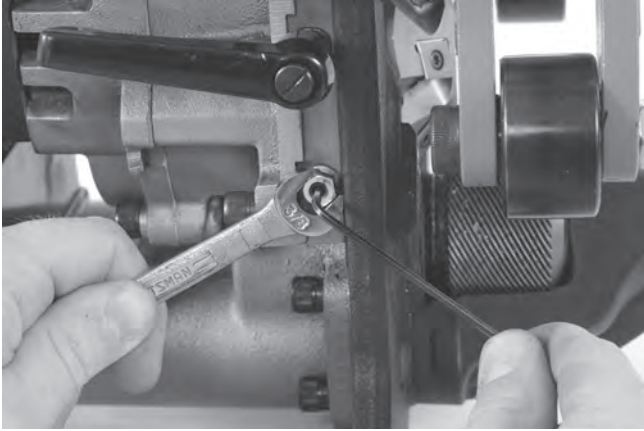
Aşınma Plakaları

Aşınma plakaları 0.03" (0,8 mm) üzeri aşınmışsa onları değiştirin.

Cıvata Plakasının Ayarlanması

Aşırı titreşim veya izleme sorunlarıyla karşılaşırsanız cıvata plakasının ayarlanması gerekiyor olabilir. Ayarlamak için:

1. Cıvata plakasını gevşetin.
2. Kesici besleme vidasını yaklaşık olarak kendi hareketinin ortasına yerleştirin.
3. Cıvata plakası sıkıştırma somunlarını ⅜" anahtarla gevşetin.
4. Bir ⅝" allen anahtarı kullanarak cıvata plakası ayarlama vidalarını sıkışana kadar eşit şekilde (aynı sayıda turla çevirerek) sıkın. Her bir vida takımını ½ tur gevşetin.
5. Ayar vidalarını allen anahtarlarıyla yerinde tutarken sıkıştırma somunlarını sıkın (Şekil 27).
6. Cıvata plakalarını yağlayın ve kesici besleme vidasını kendi menzili boyunca çeşitli kereler döndürün. Parçalar herhangi bir gevşeklik veya sıkışma olmadan düzgün şekilde hareket etmelidir. Gerekirse ayarlama işlemini tekrarlayın.



Şekil 27 – Cıvata Plakası Ayarı

İsteğe Bağlı Ekipman

⚠ UYARI

Ciddi yaralanma riskini azaltmak için aşağıda listelenenler gibi sadece RIDGID Model B-500 Taşınabilir Boru Pahlama Makinesi için özel tasarlanan ve önerilen ekipmanları kullanın.

Katalog No.	Açıklama
48863	37½° Kesici Başlık
48858	30° Kesici Başlık
48868	45° Kesici Başlık
48873	6 Kesici Bagalık Paket
48883	Kaydırıcı Gres – 1 Boru
48888	Tork Anahtarı T15/S7
48893	Somun Anahtarı
48898	5/16 Allen Anahtarı
55023	Model TBM-36 Adaptör

Bu alet için aksesuarlara özgü daha fazla bilgi RIDGID kataloğunda ve çevrimiçi www.RIDGID.com veya www.RIDGID.eu adresinde bulunabilir.

Makinenin Depolanması

⚠ UYARI Model B-500 Taşınabilir Boru Pahlama Makinesi kapalı mekanda veya yağmurlu havalarda iyice örtülmüş şekilde saklanmalıdır. Makineyi, çocukların ve makineyi kullanma deneyimi olmayan insanların ulaşamayacağı kilitli yerlerde saklayın. Bu makine, eğitimsiz kullanıcıların elinde ciddi yaralanmalara sebep olabilir.

Bakım ve Onarım

⚠ UYARI

Hatalı bakım ve onarım makinenin çalışmasını güvensiz kılabilir.

“Bakım Talimatları”, bu makinenin bakım gereksinimlerinin çoğunu karşılayacaktır. Bu bölümde ele alınmayan her türlü sorun sadece yetkili bir RIDGID servis teknisyeni tarafından ele alınmalıdır.

Alet bir RIDGID Bağımsız Servis Merkezine götürülmeli veya fabrikaya iade edilmelidir. Sadece RIDGID servis parçaları kullanın.

En yakındaki RIDGID Bağımsız Servis Merkezi hakkında bilgi veya herhangi bir servis veya onarımla ilgili sorularınız için:

- Yerel RIDGID dağıtıcınız ile temas kurun.
- Yerel RIDGID irtibat noktasının iletişim bilgilerini öğrenmek için www.RIDGID.com veya www.RIDGID.eu adresini ziyaret edin.
- İletişim için Ridge Tool Technical Service Department birimine rttechservices@emerson.com adresinde ulaşın veya ABD ve Kanada’da (800) 519-3456 nolu telefonu arayın.

Elden Çıkarma

Model B-500 Pahlama Makinesinin parçaları değerli malzemeler içermektedir ve geri dönüşüme tabi tutulmalıdır. Bulduğunuz bölgede geri dönüşüm konusunda uzmanlaşmış şirketler bulunabilir. Parçaları geçerli düzenlemelere göre elden çıkarın. Daha fazla bilgi için yerel yetkili atık yönetimi birimi ile iletişim kurun.



AB Ülkeleri için: Elektrikli cihazları ev atıkları ile birlikte atmayın!

Atık Elektrikli ve Elektronik Cihazlar için Avrupa Yönergesi 2012/19/EU ve yerel mevzuata uygulanmasına göre, kullanılamayacak durumdaki elektrikli cihazlar ayrı olarak toplanmalı ve çevreye zarar vermeyecek şekilde elden çıkarılmalıdır.

Модель В-500

Переносной станок для снятия фаски труб



⚠ ВНИМАНИЕ!

Прежде чем пользоваться этим инструментом, внимательно прочитайте данное Руководство по эксплуатации. Непонимание и несоблюдение содержания данного руководства может привести к поражению электрическим током, пожару и/или серьезной травме.

Переносной станок для снятия фаски труб модель В-500

Запишите ниже серийный номер и сохраните серийный номер, указанный на фирменной табличке.

Серийный
№

--	--

Содержание

Бланк для записи серийного номера инструмента	77
Знаки безопасности	79
Основные предупреждения по безопасному использованию электроинструмента	79
Безопасность в рабочей зоне.....	79
Электробезопасность	80
Личная безопасность	80
Использование электроинструмента и уход за ним	80
Техническое обслуживание.....	81
Информация по технике безопасности при работе с данным инструментом	81
Безопасность станка для снятия фаски	81
Описание, технические характеристики и стандартные принадлежности	82
Описание	82
Технические характеристики	83
Стандартные принадлежности.....	83
Символы.....	84
Предэксплуатационный осмотр	84
Инструкция по подготовке и эксплуатации станка	85
Подготовка заготовки	86
Подготовка к работе в конфигурации «Закрепленная заготовка/перемещение станка».....	86
Подготовка к работе в конфигурации «Закрепленный станок для снятия фаски/вращение трубы»	87
Снятие фаски.....	89
Инструкция по техническому обслуживанию	93
Чистка	93
Смазка	94
Вращение/замена вставных резцов.....	94
Замена режущей головки	94
Замена угольных щеток	95
Прерыватель	95
Износостойкие накладки.....	96
Регулировка прижимной пластины.....	96
Дополнительные принадлежности	96
Хранение станка	96
Обслуживание и ремонт	96
Утилизация	97
Декларация о соответствии требованиям ЕС	Внутренняя сторона задней обложки
Пожизненная гарантия	Задняя обложка

* Перевод исходных инструкций

Знаки безопасности

В данном руководстве по эксплуатации и на продукте обозначения техники безопасности и сигнальные слова используются для сообщения важной информации по безопасности. В данном разделе приводится пояснение значений этих сигнальных слов и знаков.



Этот символ обозначает опасность. Он используется для предупреждения о потенциальной опасности получения травмы. Во избежание возможных травм или летального исхода соблюдайте требования всех сообщений по технике безопасности, которые следуют за этим знаком.

▲ ОПАСНО

ОПАСНО указывает на опасную ситуацию, которая, если ее не избежать, приведет к летальному исходу или к серьезной травме.

▲ ВНИМАНИЕ!

ВНИМАНИЕ указывает на опасную ситуацию, которая, если ее не избежать, может привести к летальному исходу или к серьезной травме.

▲ ОСТОРОЖНО

ОСТОРОЖНО указывает на опасную ситуацию, которая, если ее не избежать, может привести к незначительной травме или к травме средней тяжести.

ПРЕДУПРЕЖДЕНИЕ

ПРЕДУПРЕЖДЕНИЕ указывает на информацию, относящуюся к защите имущества.



Этот символ указывает на необходимость внимательно прочитать руководство по эксплуатации перед использованием оборудования. Руководство по эксплуатации содержит важную информацию по безопасной и правильной работе с оборудованием.



Этот символ указывает на необходимость надевать при эксплуатации этого оборудования защитные очки с боковыми щитками или закрытые защитные очки, а также беруши, чтобы снизить риск получения травмы.



Этот символ указывает на опасность поражения электрическим током.



Данный символ обозначает опасность, связанную с порезами рук, пальцев или других частей тела вращающимися или движущимися деталями.



Этот символ указывает на риск опрокидывания станка, что может привести к травмам или переломам.



Этот символ указывает на то, что для привода данного устройства нельзя использовать дрель, ударный инструмент и другие силовые инструменты.

Основные предупреждения по безопасному использованию электроинструмента*

▲ ВНИМАНИЕ!

Прочтите все предупреждения по безопасному использованию, изучите инструкции, иллюстрации и технические характеристики, предоставляемые с этим электроинструментом. Несоблюдение всех перечисленных ниже инструкций может привести к поражению электрическим током, пожару и/или серьезной травме.

СОХРАНИТЕ ВСЕ ПРЕДУПРЕЖДЕНИЯ И ИНСТРУКЦИИ ДЛЯ ПОСЛЕДУЮЩЕГО ИСПОЛЬЗОВАНИЯ!

Используемый в предупреждениях термин «электроинструмент» относится к электроинструментам с питанием от сети (со шнуром питания) и от аккумулятора (без шнура питания).

Безопасность в рабочей зоне

- **Поддерживайте в рабочей зоне чистоту и надлежащее освещение.** Несчастные случаи происходят, как правило, в загроможденных и слабоосвещенных зонах.
- **Недопустимо пользоваться электроинструментами во взрывоопасных средах, то есть при наличии горючих жидкостей, газов или пыли.** Электроинструмент создает искры, которые могут привести к воспламенению пыли или газов.
- **Не допускается присутствие детей и посторонних лиц во время работы с электроинструментом.** Отвлечение внимания может привести оператора к потере управления оборудованием.

* Текст, приведенный в разделе "Основные предупреждения по безопасному использованию электроинструмента" данного руководства, извлечен дословно, по требованию, из действующего стандарта UL/CSA/EN 62841. В этом разделе содержатся общие правила техники безопасности для различных видов электроинструментов. Не все меры предосторожности распространяются на все электроинструменты, к данному электроинструменту применяются не все меры предосторожности.

Электробезопасность

- Вилки на шнурах питания электроинструмента должны подходить к сетевым розеткам. Ни в коем случае не следует видоизменять вилку. Запрещается использование любых переходных вилок для электроинструмента с заземлением (заземленного). При использовании немодифицированной вилки и соответствующей розетки снижается опасность поражения током.
- Не прикасайтесь к заземленным поверхностям, например, трубам, нагревателям, печам и холодильникам. В противном случае, если тело человека заземлено, риск поражения током повышается.
- Запрещается подвергать электроинструмент воздействию дождя или влаги. Проникновение воды внутрь электроинструмента увеличивает опасность поражения электрическим током.
- Следует надлежащим образом обращаться со шнуром электропитания. Запрещается использовать шнур питания для переноски или передвижения инструмента, а также для отключения его от электросети. Следует защищать шнур питания от воздействия высокой температуры, масел, острых кромок или движущихся деталей. Поврежденные и запутанные шнуры увеличивают опасность поражения электрическим током.
- При эксплуатации электроинструмента вне помещения используйте соответствующий удлинитель. Применение шнура электропитания, предназначенного для эксплуатации вне помещений, снижает опасность поражения электрическим током.
- Если приходится применять электроинструмент во влажном месте, используйте источник электропитания, снабженный устройством защитного отключения (УЗО). Использование УЗО снижает опасность поражения электрическим током.

Личная безопасность

- Будьте внимательны, контролируйте выполняемые действия и пользуйтесь здравым смыслом при работе с электроинструментом. Запрещается эксплуатировать электроинструмент, находясь в состоянии усталости или под действием наркотиков, алкоголя или лекарственных препаратов. Потеря концентрации при работе с электроинструментами может привести к серьезным травмам.
- Используйте индивидуальные средства защиты. Всегда надевайте защитные очки. Использование в соответствующих условиях пылезащитной маски, ботинок с нескользящими подошвами, каски, берушей и других защитных средств снижает риск травм.

- Не допускайте непреднамеренного запуска электроинструмента. Убедитесь, что переключатель находится в ПОЛОЖЕНИИ "ВЫКЛ.", прежде чем брать электроинструмент в руки, переносить его или подключать к источнику постоянного и/или батарейного питания. Переноска электроинструментов с пальцем на переключателе или подзарядка инструмента с переключателем в положении "ВКЛ." может привести к несчастному случаю.
- Перед включением электроинструмента следует убрать любые гаечные КЛЮЧИ. Регулировочный или гаечный ключ, оставленный присоединенным к вращающейся детали, может привести к травме персонала.
- Не пытайтесь дотянуться. Всегда сохраняйте устойчивое положение и равновесие. Это обеспечивает более уверенное управление электроинструментом в непредсказуемых ситуациях.
- Надевайте подходящую одежду. Не надевайте свободную одежду или украшения. Держите волосы и одежду вдали от движущихся частей. Свободная одежда, украшения или длинные волосы могут попасть в движущиеся части.
- При возможности подсоединения к пылесосам и пылесборникам проследите за тем, чтобы они были подключены и использовались правильно. Использование пылесборников способствует снижению рисков, связанных с пылью.
- Не допускайте состояния расслабленности и пренебрежения правилами безопасности, которые могут возникнуть при постоянном использовании инструмента. Неосторожное действие может за долю секунды причинить серьезную травму.

Использование электроинструмента и уход за ним

- Не следует перегружайте электроинструмент. Следует применять надлежащий электроинструмент, соответствующий условиям работы. Правильный выбор электроинструмента способствует более качественному, безопасному и быстрому выполнению работы.
- Запрещается использовать электроинструмент, если невозможно ВКЛЮЧИТЬ или ВЫКЛЮЧИТЬ ЕГО С ПОМОЩЬЮ ПЕРЕКЛЮЧАТЕЛЯ. Электроинструмент, который нельзя включить или выключить, опасен и нуждается в ремонте.
- Перед настройкой, заменой принадлежностей или передачей на хранение электроинструмента необходимо вынуть вилку из розетки и/или снять аккумулятор. Такие профилактические меры уменьшают риск непреднамеренного включения электроинструмента.

- Храните неиспользуемый электроинструмент вдали от детей. Не допускайте использования электроинструмента лицами, не работавшими ранее с инструментом и не ознакомленными с данными инструкциями. Электроинструмент представляет собой опасность в руках неквалифицированных пользователей.
- Следует выполнять надлежащее техническое обслуживание электроинструмента. Следите за тем, чтобы движущиеся части были отрегулированы и закреплены. Устраняйте поломки деталей или любые другие факторы, которые могут отрицательно повлиять на работу электроинструмента. В случае выхода электроинструмента из строя его необходимо отремонтировать перед его использованием. Многие несчастные случаи происходят вследствие применения электроинструментов, не прошедших надлежащего техобслуживания.
- Следите за тем, чтобы режущие насадки были острыми и чистыми. Режущие насадки с острыми режущими кромками, за которыми ведется надлежащий уход, реже заедают и более удобны в работе.
- Используйте электроинструменты, принадлежности, рабочие наконечники и пр. в соответствии с настоящими инструкциями, принимая во внимание условия и цели эксплуатации. Использование электроинструмента для работ, отличных от целевого назначения, может привести к созданию опасной ситуации.
- Следите за тем, чтобы ручки и захватные поверхности были сухими и чистыми; не допускайте попадания на них масла или смазки. Скользкие ручки и захватные поверхности препятствуют безопасному обращению и управлению инструментом в непредвиденных ситуациях.

Техническое обслуживание

- Техническое обслуживание электроинструмента должно осуществляться квалифицированным персоналом с использованием идентичных запчастей для замены. Только таким образом гарантируется безопасность при использовании инструмента.

Информация по технике безопасности при работе с данным инструментом

⚠ ВНИМАНИЕ!

В данном разделе содержится важная информация о безопасности, имеющая отношение именно к данному инструменту.

Чтобы снизить риск поражения электротоком или получения другой тяжелой травмы, внимательно ознакомьтесь с указанными мерами предосторожности перед использованием переносного станка модели В-500 для снятия фаски труб.

СОХРАНИТЕ НАСТОЯЩУЮ ИНСТРУКЦИЮ!

Храните данную инструкцию рядом с инструментом для ее использования оператором.

Безопасность станка для снятия фаски

- **Всегда используйте соответствующие средства защиты органов зрения и слуха.** Режущий инструмент может сломаться или раскрошиться. Во время резки образуется стружка, которая может вылететь из инструмента и попасть в глаза. Во время резки создаются повышенные уровни шума, которые со временем могут повредить ваш слух.
- **Всегда используйте соответствующие индивидуальные средства защиты.** Использование в соответствующих условиях защитных масок, одежды с длинными рукавами, защитной обуви, каски и других защитных средств снижает опасность получения травмы.
- **Не работайте со станком в свободной одежде. Рукава и пуговицы на одежде должны быть застегнуты.** Не пытайтесь дотянуться через станок. Одежда может быть затянута в механизм станка.
- **Не допускайте присутствия посторонних в рабочей зоне. Установите ограждение или барьер на расстоянии не менее 6 футов (2 метров) вокруг рабочей зоны.** Стружка или обломки режущих насадок могут отскочить и причинить травму за пределами непосредственной зоны выполнения работы. Ограждение или барьер, огораживающие пространство вокруг рабочей зоны, снижают риск получения травмы.
- **Один человек должен контролировать рабочий процесс и управлять переключателем ВКЛ/ВЫКЛ станка для снятия фаски.** Во время работы инструмента в рабочей зоне должен находиться только оператор. Это позволяет снизить риск получения травм.
- **Надлежаще закрепляйте заготовку и станок для снятия фаски. Удостоверьтесь, что заготовка надежно закреплена в станке для снятия фаски.** Это снизит опасность удара и переломов при опрокидывании и падении трубы и станка.
- **При включении станка для снятия фаски вставные резцы не должны касаться заготовки. Режущая головка должна достичь полной скорости, прежде чем вы осторожно начнете вводить ее в заготовку.** Включение инструмента во время его контакта с заготовкой может привести к застреванию, отводу или отбрасыванию резца.

- **Остерегайтесь вращающейся режущей головки.** Дождитесь полной остановки деталей, прежде чем начать какие-либо дальнейшие манипуляции с инструментом или трубой. Такой порядок работы снижает вероятность затягивания во вращающиеся детали.
- **Запрещается использовать электроинструменты, такие как дрель или ударный инструмент, для управления станком для снятия фаски. Управляйте станком для снятия фаски вручную.** Использование силового привода для управления станком для снятия фаски повышает опасность травмирования.
- **Избегайте вдыхания металлической пыли, образующейся при снятии фаски на трубе.** Некоторые виды образующейся пыли могут содержать химические вещества, которые вызывают рак, врожденные пороки развития и наносят другой серьезный вред. При определении надлежащего средства защиты органов дыхания учитывайте материал трубы и покрытий, в том числе такие факторы, как красители на свинцовой основе.

Опасность воздействия для работающего зависит от частоты выполнения такого вида работы и от концентрации пыли. Для снижения степени воздействия этих химических веществ выполняйте работу в хорошо проветриваемой зоне и используйте средства защиты органов дыхания, подобранные на основании соответствующих норм и стандартов, таких как ANSI Z88.2 и OSHA.

- **Запрещается модифицировать станок для снятия фаски или использовать его для каких-либо иных целей.** Нецелевое использование или модификация станка для снятия фаски с целью иного применения может повредить инструмент и/или его принадлежности, а также причинить травму.
- **С целью уменьшения риска получения серьезной травмы прочитайте и изучите эту инструкцию, а также инструкции и предупреждения, касающиеся всех используемых материалов и оборудования, до начала работы с этим инструментом.**

Декларация соответствия ЕС (890-011-320.10) выпускается отдельным сопроводительным буклетом к данному руководству только по требованию.

Если у вас возник вопрос, касающийся этого изделия RIDGID®:

- Обратитесь к местному дистрибьютору RIDGID®.
- Контактную информацию ближайшего представительства компании Ridge Tool можно найти на сайте www.RIDGID.com или www.RIDGID.eu.
- Обратитесь в Отдел технического обслуживания компании Ridge Tool по электронной почте по адресу rtctechservices@emerson.com, в США и Канаде можно также позвонить по номеру (800) 519-3456.

Описание, технические характеристики и стандартные принадлежности

Описание

Переносной станок для снятия фаски RIDGID® модели В-500 используется для снятия фаски на торцах труб и на кромках листов из большинства типов стали и нержавеющей стали толщиной до 0.5" (13 мм) при подготовке к сварке. Конические режущие головки со сменными вставными резцами (см. Рис. 24) приводятся в движение двигателем/редуктором для срезания фаски под углом 30°, 37,5° или 45° (в зависимости от используемой режущей головки).

Фаска образуется за один проход без необходимости какой-либо дальнейшей обработки. Использование охлаждающей жидкости или смазочно-охлаждающей эмульсии не требуется. Ширину пояса фаски можно регулировать дискретно примерно по 1/32" (0,8 мм) в диапазоне от 0 до 0.188" (от 0 до 4,8 мм). Станок для снятия фаски надежно захватывает заготовку между направляющими роликами и ведущим роликом. В комплект входит съемная прокручивающаяся рукоятка для проведения режущей головки по обрабатываемому материалу вручную. Световые индикаторы указывают на скорость прокручивания. Рама обеспечивает защиту двигателя/редуктора и облегчает управление станком для снятия фаски.



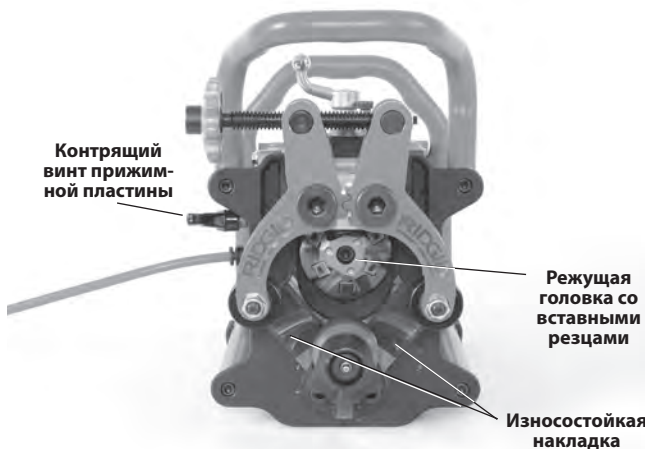


Рис. 1 – Станок для снятия фаски модели B-500

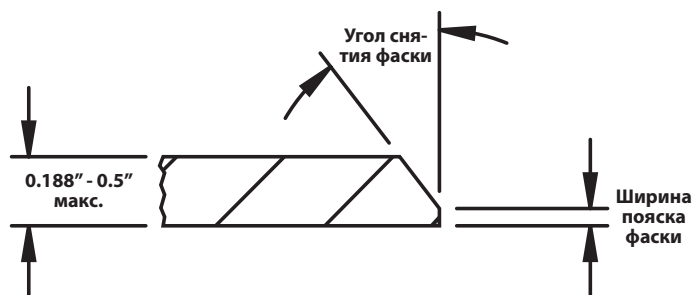


Рис. 2 – Форма скоса

Технические характеристики

Диаметр обрабатываемого изделия	Минимальный – труба IPS 4" Максимальный – плоский лист
Толщина стенки трубы/листа	Минимальная – 0.188" (4,8 мм) Максимальная – 0.50" (12,7 мм) Изменение толщины материала не более, чем на 0.031" (0,8 мм)

Расположение трубы/листа.....Горизонтальное (см. Рис. 6)

Углы срезания фаски..... 37,5°, 30° и 45° (в зависимости от используемой режущей головки)

Ширина пояска фаски от 0 до 0.188" (4,8 мм) с шагом примерно 1/32" (0,8 мм)

Материалы*..... Большинство типов стали, нержавеющей стали

*Режущая головка и вставные резцы станка для снятия фаски оптимально подходят для труб из низкоуглеродистой стали стандарта A53. При использовании с другими материалами возможно уменьшение срока службы резца.

*Характеристики снятия фаски зависят от множества факторов, включая тип материала, химический состав, твердость, количество снимаемого материала и других. В некоторых случаях невозможно снять фаску, в противном случае это может привести к повреждению вставного резца. При наличии каких-либо вопросов по конкретному обрабатываемому материалу обращайтесь в Отдел технического обслуживания компании Ridge Tool.

Частота вращения без нагрузки №..... 950 об/мин

Электродвигатель:

Тип	Универсальный
Мощность.....	1,2 л.с.
Основные параметры.....	120 В, 12,5 А, 50/60 Гц 230 В, 6,5 А, 50/60 Гц

Размеры:

Высота.....	13.3" (33,8 см)
Длина	15.8" (40,1 см)
Ширина.....	11.5" (29,2 см)
Вес	52.5 фунта (23,8 кг) вместе с режущей головкой и прокручивающей рукояткой

Уровень звукового давления (L_{РА})* 92 дБ(А), К=3

Уровень звуковой мощности (L_{WA})* 105 дБ(А), К=3

* Измерения уровня звука выполняются в соответствии со стандартизованным тестом согласно стандарту EN 62841-1.

- Уровни производимых шумов могут изменяться в зависимости от вашего местоположения и конкретного использования этих инструментов.

- Ежедневные уровни экспозиции шумам следует оценивать для каждого конкретного применения и при необходимости принимать соответствующие меры безопасности. В оценке уровней экспозиции следует учитывать время, в течение которого инструмент выключен и не используется. Это может значительно снизить уровень экспозиции в течение всего рабочего периода.

Стандартные принадлежности

В комплект поставки переносного станка для снятия фасок труб RIDGID® модели B-500 входят:

- режущая головка с одним набором из шести вставных резцов (установленных)
- ключ T15 под винты вставных резцов
- противозадирная смазка для винтов вставных резцов
- гаечный ключ 1"
- шестигранный ключ 5/16"
- руководство по эксплуатации



Рис. 3 – Стандартные принадлежности

Символы

 Питание ВКЛ

 Питание ВЫКЛ



Рис. 4 – Заводской номер станка

Табличка с серийным номером станка для снятия фаски модели B-500 расположена на боковой стороне двигателя. Последние 4 цифры обозначают месяц и год выпуска.

ПРЕДУПРЕЖДЕНИЕ Ответственность за выбор соответствующих материалов и способов установки, соединения и обработки несет инженер-конструктор и/или монтажник системы. Выбор ненадлежащих материалов и методов может привести к выходу системы из строя.

Нержавеющая сталь и другие коррозионностойкие материалы могут загрязняться во время установки, соединения и обработки. Такое загрязнение может привести к коррозии и к преждевременному выходу трубы из строя. Тщательная оценка материалов и методов конкретных условий эксплуатации, в том числе применяемых химикатов и температуры, должна быть завершена до начала любых монтажных работ. (См. ПРЕДУПРЕЖДЕНИЕ в разделе Подготовка заготовки.)

Предэксплуатационный осмотр

⚠ ВНИМАНИЕ!



Перед каждым использованием следует проверить станок для снятия фаски и устранить малейшие неисправности, чтобы снизить риск серьезной травмы в результате поражения электрическим током, затягивания в движущиеся детали, защемления и пр., а также предотвратить повреждение станка.

1. Удостоверьтесь, что станок для снятия фаски отключен от электропитания и нажмите кнопку OFF (ВЫКЛ).
2. Удалите со станка для снятия фаски масло, жир, грязь и стружку, особенно с ручек и средств управления. Это облегчает осмотр и помогает предотвратить выскальзывание инструмента или средств управления из рук. Выполняйте очистку и обслуживание станка в соответствии с Инструкцией по техническому обслуживанию.
3. Проверьте станок для снятия фаски по следующим позициям:
 - Отсутствие повреждений или видоизменений шнура и вилки.
 - Правильность сборки, техническое состояние и комплектация.
 - Отсутствие поломанных, изношенных, потерянных, несоосных или заедающих деталей или иных повреждений.
 - Чистота и надлежащее состояние насечек ведущего ролика. При необходимости очистите их с помощью проволочной щетки. Изношенные или загрязненные насечки ведущего ролика могут вызвать проскальзывание или заедание при использовании. Грязь на роликах и насечках может стать причиной железистого загрязнения нержавеющей стали.
 - Наличие и разборчивость наклеек с предупреждениями и инструкциями (см. рис. 1).
 - Надежность креплений и фиксация режущей головки.
 - Вращение ведущего вала только по часовой стрелке (как указано на бирке).
 - Отсутствие износа, деформации, сколов или иных проблем на режущих кромках вставных резцов в режущей головке. Убедитесь, что вставные резцы надежно закреплены. Затупленные, поврежденные или плохо закрепленные вставные резцы могут повредить инструмент, выполнить резку плохого качества и повысить опасность травм.

- Отсутствие любых других условий, которые могут воспрепятствовать безопасной нормальной работе. При обнаружении каких-либо проблем устраните их, прежде чем использовать инструмент.
4. Выполните проверку и обслуживание используемого дополнительного оборудования в соответствии с прилагаемыми к нему инструкциями и убедитесь в его надлежащем функционировании.

Инструкция по подготовке и эксплуатации станка

⚠ ВНИМАНИЕ!



Всегда используйте соответствующие средства защиты органов зрения и слуха. Режущий инструмент может сломаться или раскрошиться. Во время резки образуется стружка, которая может вылететь из инструмента и попасть в глаза. Во время резки высокий уровень шума, который со временем может повредить ваш слух.

Не работайте со станком в свободной одежде. Рукава и пуговицы на одежде должны быть застегнуты. Запрещается протягивать руки через станок. Одежда может быть затянута в механизм станка.

Не допускайте присутствия посторонних в рабочей зоне. Установите ограждение или барьер на расстоянии не менее 6 футов (2 метров) вокруг рабочей зоны. Стружка или обломки режущих насадок могут отскочить и причинить травму за пределами непосредственной зоны выполнения работы. Ограждение или барьер, огораживающие пространство вокруг рабочей зоны, снижают риск получения травмы.

Один человек должен контролировать рабочий процесс и управлять переключателем ВКЛ/ВЫКЛ станка для снятия фаски. Во время работы станка в рабочей зоне должен находиться только оператор. Это позволяет снизить риск получения травм.

Надлежаще закрепите заготовку и станок для снятия фаски. Удостоверьтесь, что станок для снятия фаски надежно закреплен на заготовке. Это снизит опасность удара и переломов при опрокидывании и падении трубы и станка.

При включении станка для снятия фаски вставные резцы не должны касаться заготовки. Режущая головка должна достичь полной скорости, прежде чем вы осторожно начнете вводить ее в заготовку.

Включение инструмента во время его контакта с заготовкой может привести к застреванию, уводу или отбрасыванию режущей головки.

Остерегайтесь вращающейся режущей головки. Дождитесь полной остановки деталей, прежде чем начать какие-либо дальнейшие манипуляции с инструментом или трубой.

Запрещается использовать электроинструменты, такие как дрель или ударный инструмент, для управления станком для снятия фаски. Управляйте станком для снятия фаски только вручную. Использование силового привода для управления станком для снятия фаски повышает опасность травм.

Подготовку к работе и эксплуатацию станка для снятия фаски следует выполнять в соответствии с указанными процедурами, чтобы снизить риск травмы в результате поражения электротоком, попадания в движущиеся детали, удара, защемления и других причин, а также предотвратить повреждение станка.

1. Проверьте рабочую зону по следующим позициям:
 - Наличие соответствующего освещения.
 - Отсутствие легковоспламеняющихся жидкостей, паров или горючей пыли. При их наличии не следует приступать к работе в этой зоне до тех пор, пока источники опасностей не будут определены и устранены. Станок не является взрывобезопасным и может создавать искры.
 - Наличие чистого, ровного, устойчивого и сухого места для оператора и всего оборудования.
 - Наличие надлежаще заземленной электрической розетки с требуемым напряжением. Наличие трех штырей или УЗО в розетке не означает, что она заземлена должным образом. Если имеются какие-либо сомнения, розетку должен проверить квалифицированный электрик.
 - Наличие свободного доступа к электрической розетке и отсутствие потенциальных источников повреждения шнура питания.
2. При использовании станка для снятия фаски обычно требуются удлинительные шнуры. Используйте удлинитель, отвечающий следующим требованиям:
 - Находится в исправном состоянии.
 - Имеет вилку с заземлением (заземленную), как на станке для снятия фаски.
 - Предназначен для использования вне помещений.
 - Имеет провода надлежащего поперечного сечения. Для удлинителей длиной до 50' (15,2 м) используйте провода калибра 14 AWG (1,5 мм²) или выше. Для удлинителей длиной от 50' до 100' (от 15,2 м до 30,5 м) используйте провода калибра 12 AWG (2,5 мм²) или выше.

Сухими руками введите вилку удлинительного шнура в розетку. По свободной траектории проложите удлинительный шнур к станку для снятия фаски. Следите за тем, чтобы все соединения были сухими и не соприкасались с землей. Оставьте излишек шнура у основания станка, чтобы обеспечить его перемещение в конфигурации *Закрепленная заготовка/перемещение станка* (см. Рис. 20 А и В). В этом случае не вводите вилку станка для снятия фаски в розетку.

3. Обязательно тщательно проверьте все оборудование.
4. Не допускайте присутствия посторонних в рабочей зоне, установите ограждение или барьер, чтобы оградить вокруг заготовки и станка для снятия фаски свободное пространство не менее 6 футов (2 м). Это позволит предотвратить попадание стружки на посторонних лиц при использовании станка.

Подготовка заготовки

Осмотрите подлежащую обработке заготовку и убедитесь, что станок для снятия фаски модели В-500 является подходящим инструментом для этой работы. См. раздел *Технические характеристики*.

Отклонение от перпендикулярности торца трубы не должно превышать 0.062" (1,6 мм), см. Рис. 5. Станок для снятия фаски перемещается по торцу трубы, а не делает торец перпендикулярным. Кромка листа, подлежащего обработке, должна быть ровной, без изгибов. Кромка с фаской не будет более ровной, чем исходный срез. Срезание фаски на не прямых кромках может вызвать заедание и отрицательно сказаться на качестве фаски.

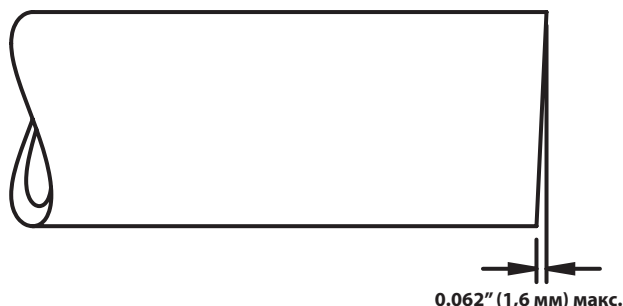


Рис. 5 – Требования к перпендикулярности торца трубы

Станок для снятия фаски обрабатывает кромки, образованные в результате деформационного среза (режущим диском), распилы или разреза, выполненного газовой горелкой. Перед снятием фаски удалите шлаковый нарост от газового резака, сварные швы высотой более 1/32" (0,8 мм), крупные заусенцы и другие частицы с обеих сторон обрабатываемой кромки на расстоянии 3" (75 мм) от нее. Это обеспечит надлежащее закрепление и перемещение стан-

ка для снятия фаски на материале. Чтобы обеспечить ведение станка для снятия фаски, может потребоваться удалить масло или покрытие на обрабатываемом материале.

Для установки и ведения станка необходимо, чтобы на обрабатываемой прямой трубе или на плоском листе было свободное расстояние не менее 3" (75 мм) от кромки. Запрещается использовать станок на изогнутом материале, например, на уголках или других фитингах.

ПРЕДУПРЕЖДЕНИЕ Во избежание железистого загрязнения нержавеющей стали проверьте отсутствие грязи и инородных частиц на ведущем и направляющем роликах. Тщательно очистите их с помощью щетки из нержавеющей стали. Замените вставные резцы – используйте отдельные резцы для нержавеющей стали. Рекомендуется выделить отдельный станок для снятия фаски для работы с нержавеющей сталью.

ПРЕДУПРЕЖДЕНИЕ Запрещается использовать станок для снятия фаски на заготовке, соединенной со сварочным аппаратом. При выполнении сварки на заготовке, соединенной со станком для снятия фаски, электрическая схема станка может быть повреждена.

Подготовка к работе в конфигурации «Закрепленная заготовка/перемещение станка»

Станок для снятия фаски предназначен для использования на горизонтально расположенных трубах и листах. Его можно также использовать для торцов труб, расположенных выше горизонтали. См. Рис. 6 в качестве примера. Использование с другим расположением трубы может вызвать падение станка для снятия фаски и попадание стружек на оператора, и поэтому запрещается.

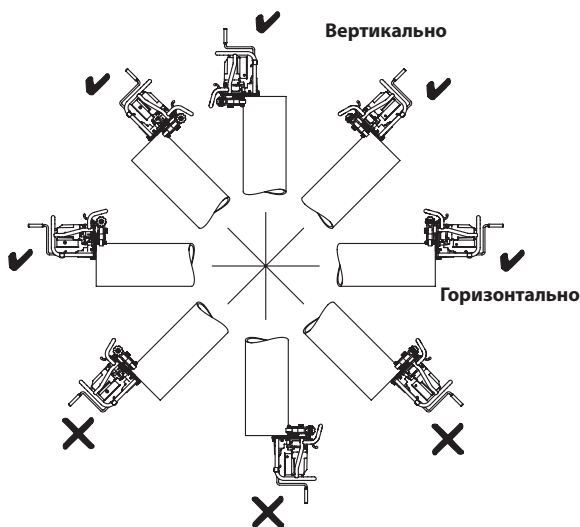


Рис. 6 – Допустимое (✓) и недопустимое (X) расположение трубы

Проверьте, что заготовка, подлежащая обработке, установлена прочно и устойчиво. Заготовка и опора должны выдерживать вес станка для снятия фаски, а также усилие и крутящий момент, требуемые для снятия фаски, не смещаясь и не поворачиваясь. Во избежание опрокидывания при использовании трубных тисков проверьте, что они правильно подобраны по размеру и надежно закреплены. Для более длинных труб используйте соответствующие опоры для поддержки по длине.

На плоском листе нельзя доводить станок для снятия фаски на 6 дюймов до конца кромки. Чтобы удержать станок на месте, оба направляющих ролика должны касаться листа (см. Рис. 16).

Выполняя работу по разделке кромок на площадке, убедитесь в наличии достаточного пространства, чтобы установить станок для снятия фаски на место и провести его вдоль заготовки.

Подготовка к работе в конфигурации «Закрепленный станок для снятия фаски/вращение трубы»

С помощью держателя модели ТВМ-36 (дополнительное оборудование) (см. Рис. 7) станок для снятия фаски В-500 устанавливается на цепные трубные тиски RIDGID TRISTAND серии 450 или 460. Станок для снятия фаски остается неподвижным, а труба вращается. Это повышает удобство использования и позволяет снимать фаску на более коротких отрезках трубы. Такую конфигурацию можно использовать для труб диаметром до 36" (900 мм).



Рис. 7 – Держатель станка для снятия фаски ТВМ-36

1. Проверьте и подготовьте к работе переносные цепные трубные тиски RIDGID® TRISTAND серии 450 или 460 в соответствии с прилагаемыми к ним инструкциями. При необходимости закрепите неподвижно заднюю ногу переносных цепных трубных тисков TRISTAND для обеспечения большей устойчивости. Не закрепляйте передние ноги. Закрепление передних ног может препятствовать небольшому перемещению тисков, которое необходимо для надлежащего ведения станка.

2. Установите цилиндрический корпус держателя в V-образные губки тисков, как показано на Рис. 8. Вставьте шпонку в паз в губках тисков, чтобы обеспечить правильное расположение и устойчивость.

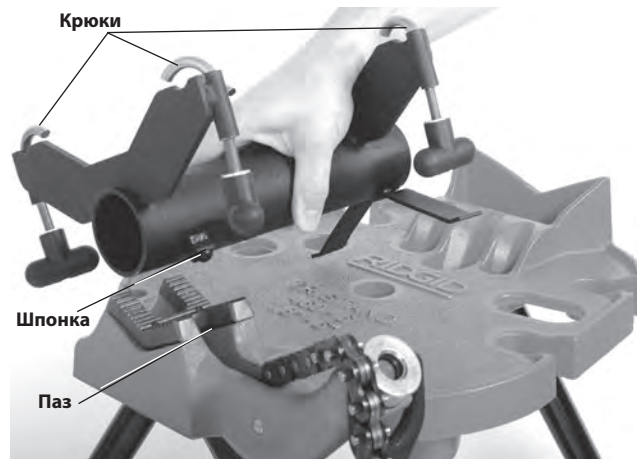


Рис. 8 – Монтаж держателя на тиски

3. Разместите цепь тисков поверх корпуса держателя и плотно затяните цепь, чтобы закрепить держатель на месте.
4. Полностью отверните ручки крючков держателя и выдвиньте крючки наружу.
5. Надежно захватите станок для снятия фаски и установите его на держатель, как показано на Рис. 9.



Рис. 9 – Крепление станка для снятия фаски к держателю

6. Зацепите крючками раму станка для снятия фаски и плотно затяните ручки (Рис. 9).
7. Проверьте устойчивость тисков и оборудования.
8. Вставьте поставляемую приводную насадку длиной 10" и диаметром 1/2" в ведущий вал станка для снятия фаски (см. Рис. 10).

9. При скашивании кромки на трубе длиной менее 12" (300 мм) и весом менее 50 фунтов (22 кг) опора для удержания трубы не требуется, поскольку станок и переносные трубные тиски TRISTAND устойчивы и надежно закреплены. Труба устанавливается непосредственно на ведущий ролик и крепится направляющими роликами (Рис. 10).

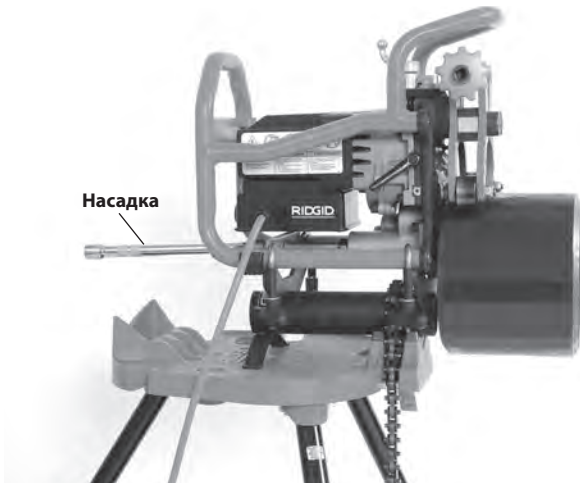


Рис. 10 – Закрепленный станок для снятия фаски, длина трубы меньше 12" и вес меньше 50 фунтов

При скашивании кромки на трубе длиной более 12" (300 мм) и весом более 50 фунтов (22 кг) требуется обеспечить надлежащие опоры для трубы с целью снижения риска опрокидывания и падения трубы и оборудования. Чтобы обеспечить вращение трубы в процессе скашивания кромки, опоры должны быть оснащены роликами. Применение ненадлежащих опор для труб или удержание трубы рукой может привести к опрокидыванию или падению трубы и оборудования.

Установите опоры для труб на одной линии с ведущим роликом станка для снятия фаски. По возможности всегда используйте как минимум две опоры. Перед захватом верхняя внутренняя стенка трубы должна находиться на той же высоте, что и верхняя кромка ведущего ролика станка, или быть выше ее на 1/8" (3 мм) (см. Рис. 11). Труба должна быть параллельна ведущему ролику станка для снятия фаски. Не устанавливайте внутреннюю стенку трубы ниже, чем верхняя кромка ведущего ролика – это может ухудшить устойчивость и ведение станка.

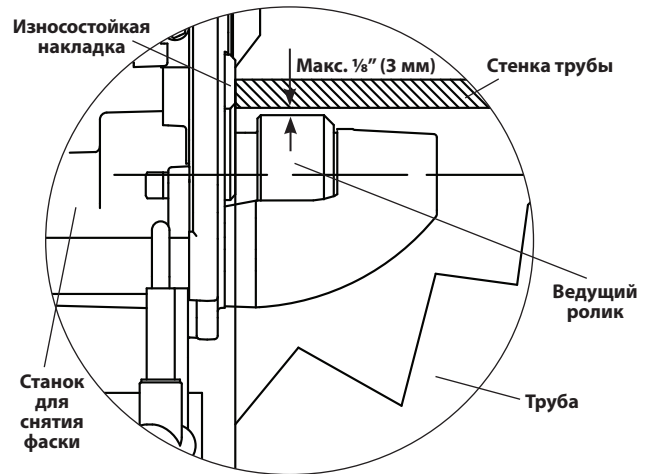


Рис. 11 – Закрепленный станок для снятия фаски, расположение трубы относительно ведущего ролика станка (обрезная труба - перед захватом)



Рис. 12 – Закрепленный станок для снятия фаски, короткая труба, одна опора для трубы

При использовании станка с короткими отрезками труб и одной опорой труба будет удерживаться ведущим роликом станка и опорой для трубы (см. Рис. 12). При использовании станка с более длинными отрезками труб и несколькими опорами труба будет удерживаться на опорах, как показано на Рис. 13.

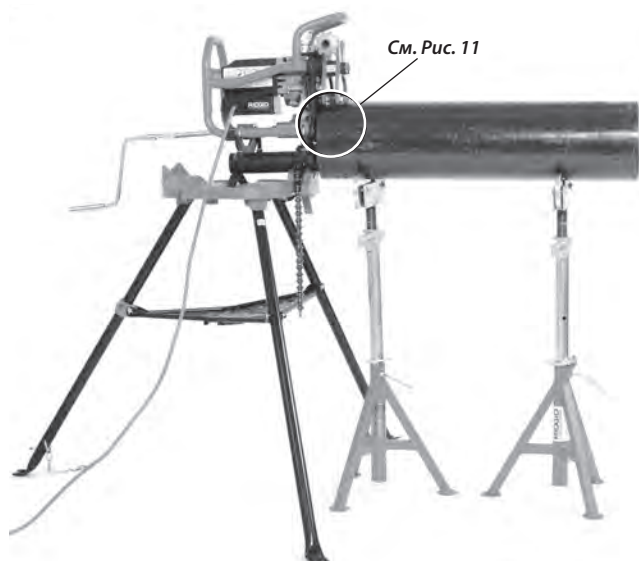


Рис. 13 – Закрепленный станок для снятия фаски, длинная труба, несколько опор для трубы

Подготовку к работе и ведение трубы относительно станка следует проверить до снятия фаски. Соблюдая инструкции по снятию фаски, но не включая станок, затяните зажимной винт от руки плюс $\frac{3}{4}$ оборота, чтобы захватить трубу. Вставьте прокручивающую рукоятку и вращайте ее, чтобы провести трубу вокруг. По мере вращения трубы ее торец должен вплотную прилегать к износостойким накладкам (Рис. 15В). В противном случае необходимо скорректировать установку.

Снятие фаски

Переносной станок для снятия фаски В-500 можно использовать в двух конфигурациях, с закрепленной заготовкой и перемещением станка по ней (*закрепленная заготовка/перемещение станка*) или со станком, закрепленным на держателе ТВМ-36, и перемещением трубы относительно станка (*закрепленный станок для снятия фаски/вращение трубы*). Информацию по этим конфигурациям см. в разделах «Подготовка к работе».

Из-за различия в характеристиках материалов, необходимо выполнить пробный срез фаски перед началом работы или при изменении типа материала, его толщины, угла резки или ширины пояска фаски.

На электродвигателе станка для снятия фаски имеется наклейка с основной рабочей информацией. Действия, описанные в данном разделе, соответствуют действиям, указанным на наклейке. Данная наклейка не заменяет руководство оператора, которое содержит полную информацию для правильного использования инструмента.

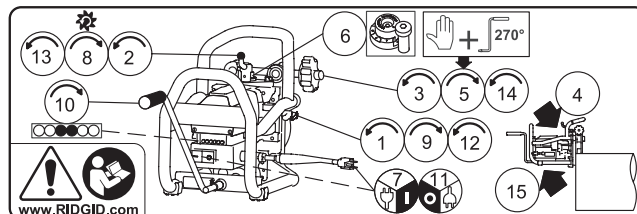


Рис. 14 – Наклейка с инструкциями

1. Проверьте, что контрящий винт прижимной пластины отвернут.
2. Отверните винт подачи резака против часовой стрелки и полностью отведите режущую головку (от ведущего ролика).
3. Поверните зажимной винт и раскройте поворотные кронштейны достаточно широко, чтобы установить заготовку.
4. Смонтируйте вместе станок для снятия фаски и заготовку.

Закрепленная заготовка/перемещение станка

Проверьте, что заготовка и станок для снятия фаски правильно подготовлены к работе.

Надежно захватите станок для снятия фаски и установите его на трубу так, чтобы направляющие ролики располагались на наружном диаметре (на стороне, где получится срез, для плоского листа), а ведущий ролик – внутри трубы (на противоположной от среза стороне). Проверьте, что износостойкие накладки на станке для снятия фаски плотно прилегают к торцу трубы или кромке листа (Рис. 15В). Во избежание повреждения вставных резцов не ударяйте режущую головку о трубу или лист. Удерживайте станок, пока он не будет надежно закреплен на заготовке.



Рис. 15А – Установка станка для снятия фаски на трубу

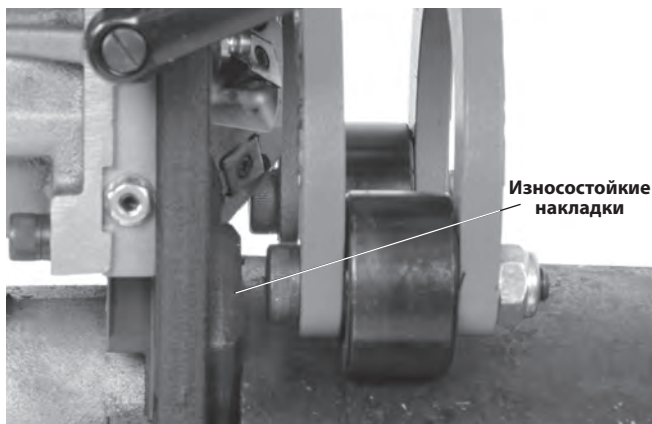


Рис. 15В – Износостойкая накладка заподлицо с торцом трубы

На плоском листе нельзя доводить станок для снятия фаски на 6 дюймов до конца кромки. Чтобы удержать станок на месте, оба направляющих ролика должны касаться листа (см. Рис. 16).

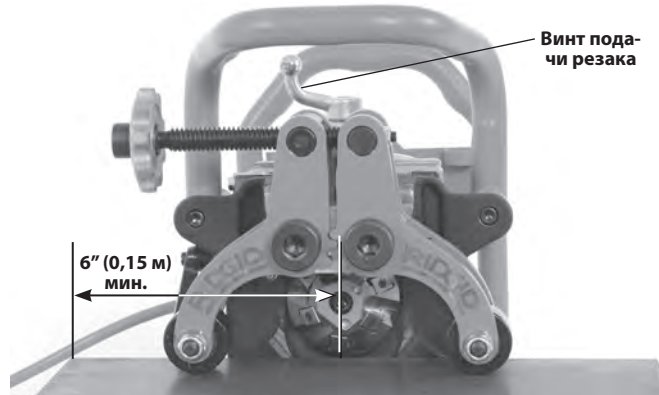


Рис. 16А – Станок для снятия фаски, установленный на листе

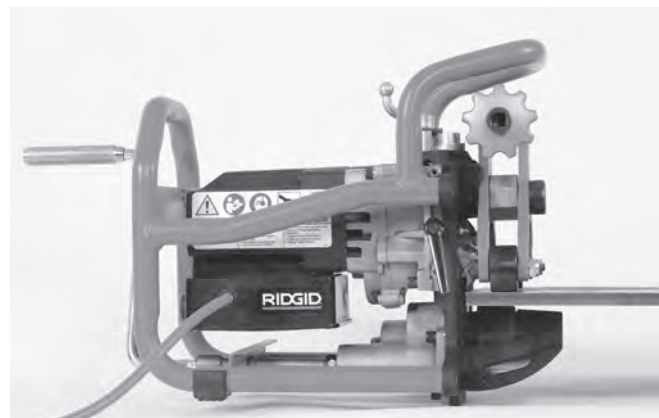


Рис. 16В – Установка станка для снятия фаски на лист

Закрепленный станок для снятия фаски/вращение трубы

Проверьте, что станок для снятия фаски, опоры для трубы и сама труба правильно подготовлены к работе (см. Рис. 10, 12 и 13).

Поместите трубу на ведущий ролик станка для снятия фаски. Проверьте, что износостойкие накладки на станке для снятия фаски установлены вплотную к торцу трубы или кромке листа. Во избежание повреждения вставных резцов не ударяйте режущую головку о заготовку. Удерживайте трубу, пока она не будет надежно закреплена станком для снятия фаски.

- Затяните зажимной винт от руки плюс дополнительно на $\frac{3}{4}$ оборота (270°) (Рис. 17) с помощью входящей в комплект поставки прокручивающей рукоятки, чтобы захватить материал между направляющими роликами и ведущим роликом. Проверьте, что станок для снятия фаски надежно прикреплен к материалу и это крепление устойчиво. Снимите прокручивающую рукоятку. Не оставляйте прокручивающую рукоятку на зажимном винте. Не пытайтесь выполнять срез, пока станок для снятия фаски не будет надежно закреплен на заготовке.

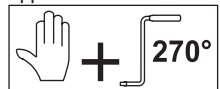




Рис. 17А – Затягивание зажимного винта от руки

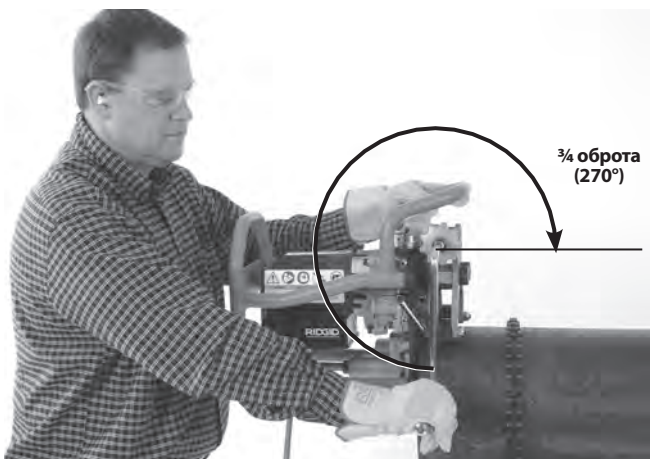


Рис. 17В – Затягивание зажимного винта дополнительно на 3/4 оборота (270°)

6. Установите требуемую ширину пояска фаски (Рис. 18)

с помощью регулировочного калибра. Если калибр установлен на "0", на торце трубы не будет пояска. Каждое приращение на регулировочном калибре примерно на 1/32" (0,8 мм) отличается от предыдущего размера. (1 ~ ширина пояска 0.03" (0,8 мм), 2 ~ 0.06" (1,6 мм) и т.д.) Подведите требуемое значение на калибре, так чтобы оно установилось под головкой упора.

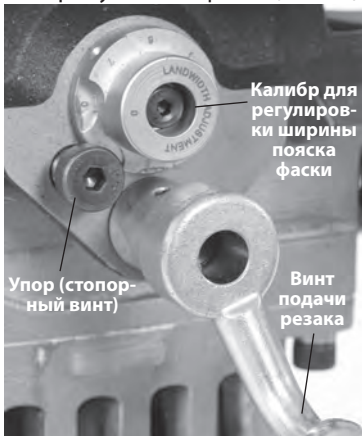


Рис. 18 – Установка калибра для регулировки ширины пояска фаски

7. Проверьте, что режущая головка полностью отведена и не касается заготовки. Сухими руками введите шнур питания устройства станка для снятия фаски в розетку/удлинитель с надлежащим заземлением. Все световые индикаторы должны гореть.

Выберите требуемое рабочее положение (Рис. 19).

- Стойте позади станка лицом к прокручивающей рукоятке, имея хороший доступ к переключателю ВКЛ/ВЫКЛ. В случае опасности вы должны иметь возможность отключить станок.
- Убедитесь, что вы находитесь в устойчивом положении и вам не требуется далеко тянуться.

Нажмите кнопку ВКЛ (I). После того, как электродвигатель наберет скорость, должны загореться желтые световые индикаторы.

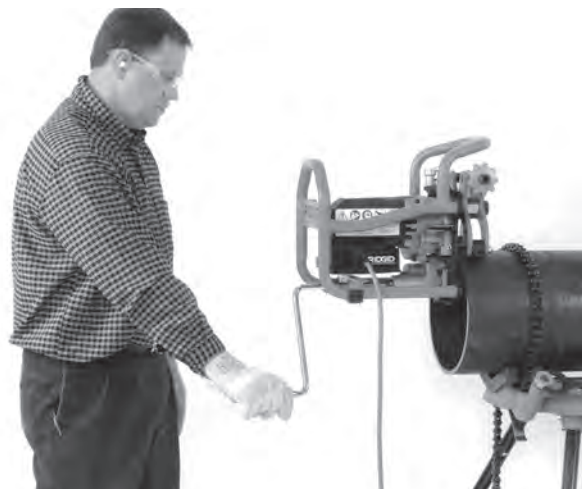


Рис. 19 – Надлежащее рабочее положение

8. Постепенно плавно поворачивая по часовой стрелке винт подачи резака (Рис. 18); введите режущую головку в заготовку, так чтобы упор касался калибра для регулировки ширины пояска фаски. Не используйте смазочно-охлаждающую эмульсию или охлаждающую жидкость.

9. Затяните контрящий винт прижимной пластины, чтобы зафиксировать режущую головку на месте (Рис. 15). Неплотная затяжка контрящего винта прижимной пластины может привести к повреждению вставных резцов.

10. Вставьте прокручивающую рукоятку в ведущий вал. Используя непрерывное контролируемое движение, начните вращать прокручивающую рукоятку по часовой стрелке, чтобы срезать фаску (Рис. 20).

Для продления срока службы вставных резцов необходимо обеспечивать надлежащую скорость вращения. Следите за светодиодными индикаторами на задней стороне станка. Зеленые лампы указывают на правильную скорость. Желтые лампы указывают, что необходимо крутить рукоятку быстрее. Красные показывают, что рукоятку следует крутить медленней. (См. Рис. 21).

Рукоятку следует вращать только по часовой стрелке, если смотреть на станок сзади. Не используйте дрель, ударный инструмент и другие силовые инструменты в качестве привода станка для снятия фаски – управляйте только вручную. Не используйте смазочно-охлаждающую эмульсию или охлаждающую жидкость.

В некоторых случаях между заготовкой и направляющими роликами скапливается стружка. В большинстве случаев направляющие ролики проходят через стружку, не создавая проблем, за исключением того, что требуется немного большее усилие для прокручивания. Если станок заклинивает или стружку необходимо удалить в процессе снятия фаски, выключите инструмент и отсоедините его от электропитания, прежде чем удалять стружку или перемещать инструмент.



Рис. 20А – Операция по снятию фаски (закрепленная заготовка/перемещение станка)

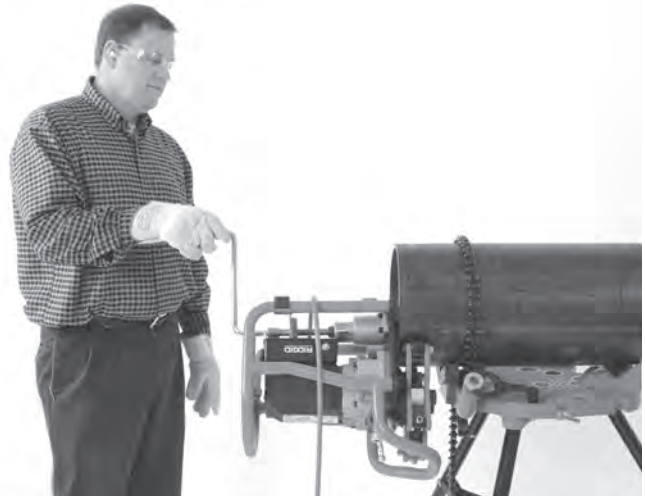
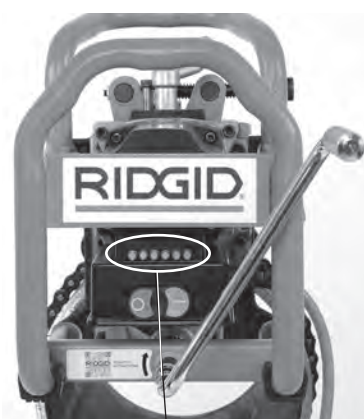


Рис. 20В – Операция по снятию фаски (закрепленная заготовка/перемещение станка)



Рис. 20С – Операция по снятию фаски (закрепленный станок для снятия фаски/вращение трубы)



Индикаторные лампы

Световые индикаторы	Горящие индикаторы	Состояние
	Все	Подключен к сети, выключен
	Два желтых	Пониженная скорость прокручивания.
	Один желтый/Один зеленый	
	Два зеленых	Оптимальная скорость прокручивания.
	Один зеленый/ Один красный	
	Два красных	Повышенная скорость прокручивания.

Рис. 21 – Индикаторные лампы

Постоянно следите за расположением шнура (при перемещении станка для снятия фаски) и контролируйте ведение станка по заготовке. Шнур не должен касаться режущей головки. После формирования фаски убедитесь, что износостойкие накладки остаются заподлицо с торцом трубы или кромкой листа. Прекратите вращение прокручивающей рукоятки и нажмите кнопку ВЫКЛ (O). В случае если:

- Износостойкие накладки отодвигаются от заготовки.
- Резаки не сцепляются с заготовкой.
- Процесс необходимо остановить по какой-либо причине.

Это поможет предотвратить сход станка для снятия фаски с заготовки. Чтобы продолжить процесс срезания фаски, повторите процедуру, начиная с первого действия.

Продолжайте вращать рукоятку, пока фаска не будет выполнена.

11. После завершения процесса снятия фаски, нажмите кнопку ВЫКЛ (O) и убедитесь, что режущая головка полностью остановилась. Отсоедините насадку от станка для снятия фаски (при перемещении станка для снятия фаски).
12. Слегка отверните конtringий винт прижимной пластины, чтобы освободить режущую головку.
13. Полностью отведите режущую головку с помощью винта подачи резака.
14. Убедившись, что заготовка и станок для снятия фаски надежно закреплены, отверните зажимной винт и раскройте поворотные кронштейны, чтобы освободить заготовку.

15. Демонтируйте заготовку со станка для снятия фаски. Остерегайтесь острых кромок на трубе. Соблюдайте осторожность, чтобы не ударить режущую головку о трубу и не повредить вставные резцы.

Инструкция по техническому обслуживанию

⚠ ВНИМАНИЕ!

Перед выполнением технического обслуживания или любых регулировок следует обязательно отсоединить станок для снятия фаски от электропитания и нажать кнопку ВЫКЛ.

Всегда надевайте защитные очки.

Выполняйте техническое обслуживание станка для снятия фаски в соответствии с указанными процедурами, чтобы уменьшить риск поражения электрическим током, попадания в движущиеся детали механизмов и других причин.

Чистка

После каждого применения удалите стружку мягкой чистой тряпкой или щеткой, особенно с зон относительного перемещения деталей, например с поворотных кронштейнов, направляющих или винта подачи. Очистите и удалите пыль и мусор с вентиляционных прорезей двигателя.

Очистите насечки ведущего ролика проволочной щеткой. (Рис. 22)



Рис. 22 – Чистые насечки ведущего ролика

Смазка

Ежемесячно (или при необходимости чаще) смазывайте все открытые движущиеся детали (например, винт подачи, зажимной винт и оси поворота) легким смазочным маслом. Вытирайте излишки масла с открытых поверхностей. Используйте консистентную смазку с противозадирными присадками ("EP") для заправки в два смазочных штуцера на лицевой панели и один смазочный штуцер на торце ведущего ролика. (См. Рис. 23). Добавляйте смазку, пока небольшое количество не выступит наружу (на концах прижимной пластины и на торце ведущего ролика с насечкой).

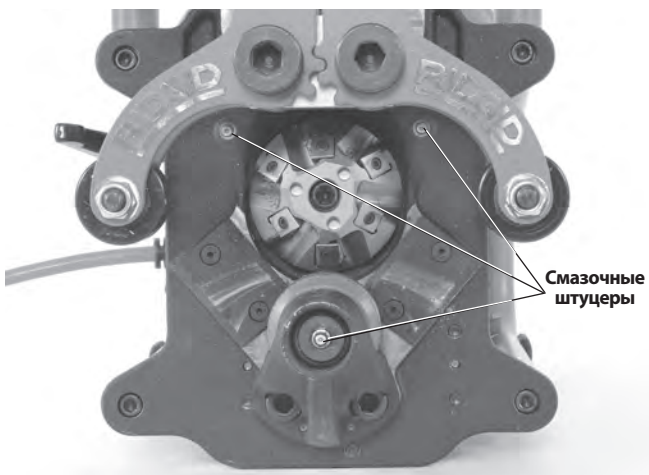


Рис. 23 – Смазочные штуцеры

Вращение/замена вставных резцов

Если режущие кромки затуплены, изношены или зазубрены, вставные резцы необходимо повернуть или заменить. Увеличение времени резки указывает на износ вставного резца. Соблюдайте осторожность при обращении с резцами. Не допускайте касания одного резца с другим или с другой твердой поверхностью, это может привести к образованию зазубрин или к повреждению.

1. Отсоединив шнур от розетки, раскройте поворотные кронштейны с помощью зажимного винта. Вставные резцы можно повернуть/заменить, когда режущая головка установлена на станок для снятия фаски.
2. С помощью входящего в комплект поставки ключа для вставных резцов T15 выверните винты и снимите вставные резцы с режущей головки. При необходимости используйте гаечный ключ для поворота режущей головки (Рис. 24, 25А).
3. Удостоверьтесь в отсутствии повреждений на монтажных полостях и винтах вставных резцов. Не используйте поврежденные детали. Проверьте отсутствие грязи и инородных частиц в монтажных полостях.
4. Установите новый комплект резцов или поверните имеющиеся (вставные резцы имеют 4 режущих кромки), чтобы неиспользованная режущая кромка оказалась в положении резки. Не смешивайте новые и использованные режущие кромки – все режущие кромки следует заменять одновременно. **Используйте только вставные резцы и винты вставных резцов RIDGID. Другие вставные резцы и винты могут стать причиной травмы или повреждения инструмента.** Нанесите небольшое количество противозадирной смазки на винт и вновь установите его. Плотнo затяните винт с помощью поставляемого ключа. Не затягивайте чрезмерно. После замены вставных резцов вы можете заметить образование небольшого количества паров или дыма во время резки первых нескольких фасок. Это не причина для беспокойства.



Рис. 24 – Замена вставных резцов

Замена режущей головки

Для выполнения фаски под различным углом необходимо заменять режущую головку. Используйте только режущие головки RIDGID, предназначенные для станка для снятия фаски, другие режущие головки могут стать причиной травмы или повреждения инструмента.

1. Отсоединив шнур от розетки, раскройте поворотные кронштейны с помощью зажимного винта. Вставьте гаечный ключ из комплекта поставки в отверстия на торце режущей головки во избежание ее вращения.
2. С помощью шестигранного ключа $\frac{5}{16}$ " отверните винт с головкой под торцевой ключ, который удерживает режущую головку на месте (Рис. 25А).
3. Осторожно снимите режущую головку. Остерегайтесь острых кромок.
4. Проверьте отсутствие повреждения или загрязнения монтажной зоны и режущей головки. Не используйте поврежденные детали.
5. При замене режущей головки проверьте, что она ровно посажена на шпиндель и прорези в режущей головке входят в зацепление с направляющими штифтами (Рис. 25В). Плотнo затяните винт с головкой под торцевой ключ с помощью шестигранного ключа и гаечного ключа, входящих в комплект поставки.

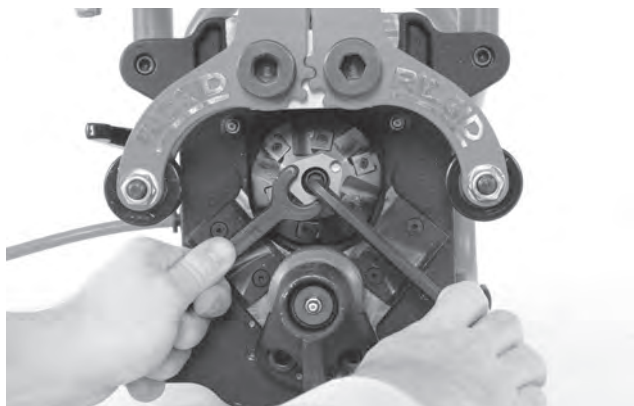


Рис. 25А – Замена режущих головок

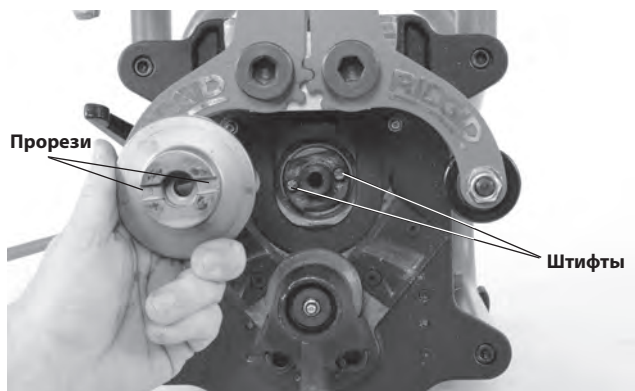


Рис. 25В – Замена режущих головок

Замена угольных щеток

Щетки электродвигателя следует проверять каждые шесть месяцев и заменять щетки, если они изношены до толщины менее $\frac{1}{2}$ " (13 мм).

1. Чтобы получить доступ к двигателю, отверните 4 болта, которые крепят раму к лицевой панели, и снимите раму (Рис. 1).
2. Отверните четыре винта крепления крышки двигателя и снимите крышку.
3. С помощью плоскогубцев извлеките наружу держатели щеток электродвигателя. Отсоедините электрический разъем. (См. Рис. 26).

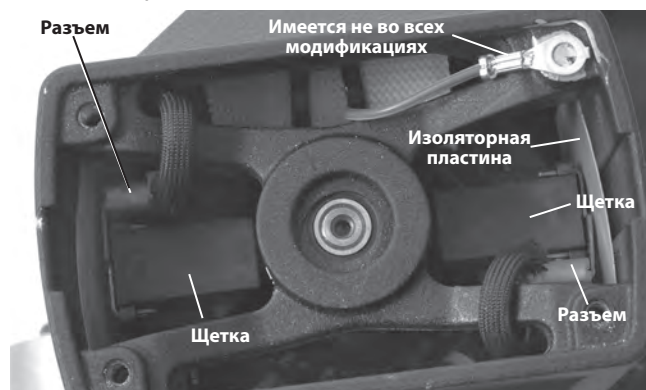


Рис. 26 – Замена щетки - крышка двигателя снята

- 4а. Осмотрите щетки, если их длина менее $\frac{1}{2}$ " (13 мм), замените щетки в комплекте.
- б. Проверьте отсутствие износа коллектора. При значительном износе проведите техническое обслуживание инструмента.
5. Вставьте щетку в держатель и вложите его в корпус электродвигателя. Плотнo прижмите держатель щетки вниз до его фиксации на месте. Осмотрите двигатель и проверьте, что изоляционные пластины надлежащим образом располагаются между держателем щетки и корпусом. Подсоедините разъем и установите на штатное место крышку двигателя.
6. Надежно установите раму на станок для снятия фаски.

Прерыватель

Станок для снятия фаски оборудован прерывателем (Рис. 1), который срабатывает при повышенном потребляемом токе. В этом случае отсоедините станок для снятия фаски от электропитания. Соблюдая инструкции, снимите станок для снятия фаски с заготовки и удостоверьтесь, что он не поврежден. При отсутствии повреждения нажмите кнопку прерывателя для сброса. Если прерыватель не устанавливается в исходное положение, дайте станку остыть в течение 15 минут. Возобновите процедуру, начиная с проверки.

Износостойкие накладки

Замените износостойкие накладки, если их износ превышает 0.03" (0,8 мм).

Регулировка прижимной пластины

При наличии чрезмерной вибрации или проблем с ведением станка может потребоваться регулировка прижимной пластины. Для выполнения регулировки:

1. Слегка отверните регулировочный винт.
2. Установите винт подачи резака примерно на половину его рабочего хода.
3. Слегка отверните контргайки прижимной пластины с помощью ключа на $\frac{3}{8}$ ".
4. С помощью шестигранного ключа на $\frac{5}{32}$ " равномерно (на одинаковое число оборотов) плотно затяните установочные винты прижимной пластины. Отверните каждый установочный винт на $\frac{1}{2}$ оборота.
5. Удерживая установочные винты на месте с помощью шестигранного ключа, затяните контргайки (Рис. 27).
6. Смажьте прижимные пластины и несколько раз прокрутите винт подачи резака вдоль всего диапазона его хода. Детали должны перемещаться плавно, не болтаясь и не заклинивая. При необходимости повторите процесс регулировки.

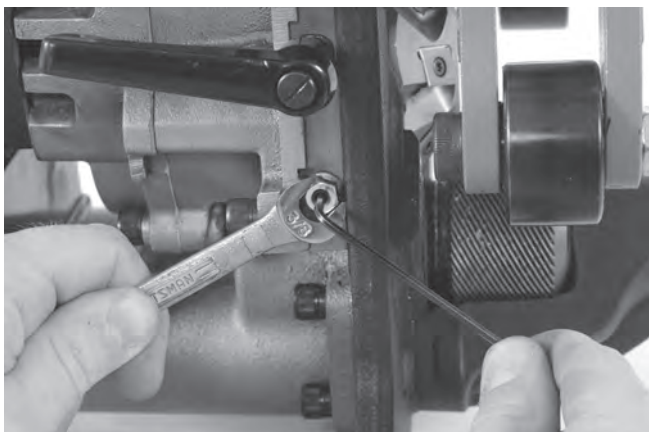


Рис. 27 – Регулировка прижимной пластины

Дополнительные принадлежности

⚠ ВНИМАНИЕ!

Для снижения риска тяжелой травмы используйте только принадлежности, специально разработанные и рекомендованные к применению с переносным станком для снятия фаски RIDGID модели В-500, которые указаны ниже.

№ по каталогу	Описание
48863	Режущая головка 37½°
48858	Режущая головка 30°
48868	Режущая головка 45°
48873	Комплект из 6 вставных резцов
48883	Противозадирная смазка – 1 тубик
48888	Ключ-звездочка T15/S7
48893	Гаечный ключ
48898	Шестигранный ключ $\frac{5}{16}$
55023	Держатель, модель ТВМ-36

Более подробные сведения о конкретных принадлежностях для этого инструмента можно найти в каталоге оборудования RIDGID и на сайте www.RIDGID.com или www.RIDGID.eu.

Хранение станка

⚠ ВНИМАНИЕ! Переносной станок для снятия фаски модели В-500 следует хранить внутри помещений или тщательно накрывать в дождливую погоду. Станок надлежит хранить в запираемом помещении, недоступном для детей и людей, незнакомых с работой станков для снятия фаски. Этот станок может причинить серьезные травмы в руках неквалифицированных пользователей.

Обслуживание и ремонт

⚠ ВНИМАНИЕ!

Неправильное обслуживание или ремонт могут привести к небезопасной работе станка.

В разделе "Инструкция по техническому обслуживанию" рассматривается большинство операций обслуживания этого станка. Любые проблемы, не рассмотренные в этом разделе, должен устранять только уполномоченный техник по обслуживанию оборудования RIDGID.

Инструмент следует доставить в независимый сервис-центр RIDGID или вернуть на завод. Используйте только запасные части RIDGID.

Для получения информации о ближайшем независимом сервис-центре RIDGID, а также с любыми вопросами по обслуживанию и ремонту:

- Обратитесь к местному дистрибьютору RIDGID.
- Чтобы найти контактный телефон местного дистрибьютора RIDGID, войдите на сайт www.RIDGID.com или www.RIDGID.eu в сети Интернет.
- Обратитесь в Отдел технического обслуживания компании Ridge Tool по электронной почте по адресу rtctechservices@emerson.com, в США и Канаде можно также позвонить по номеру (800) 519-3456.

Утилизация

Детали станка для снятия фаски модели В-500 содержат ценные материалы и могут быть подвергнуты повторной переработке. В своем регионе вы можете найти компании, специализирующиеся на утилизации. Утилизируйте компоненты в соответствии со всеми применимыми нормативами. Узнайте дополнительную информацию в местной организации по утилизации отходов.



Для стран ЕС: Не утилизируйте электрооборудование вместе с бытовыми отходами!

В соответствии с Директивой 2012/19/EU по утилизации электрического и электронного оборудования, электрическое оборудование, не пригодное для дальнейшего использования, следует собирать отдельно и утилизировать безопасным для окружающей среды способом.

RIDGID® B-500 Transportable Pipe Beveller

RIDGE TOOL COMPANY
400 Clark Street
Elyria, Ohio 44035-6001
U.S.A.

Ridge Tool Europe NV (RIDGID)
Schurhovenveld 4820
3800 Sint-Truiden
Belgium

EC DECLARATION OF CONFORMITY

We declare that the machines listed above, when used in accordance with the operator's manual, meet the relevant requirements of the Directives and Standards listed below.

DÉCLARATION DE CONFORMITÉ CE

Nous déclarons que lorsqu'elles sont utilisées selon leur mode d'emploi, les machines indiquées ci-dessus répondent aux exigences applicables des directives et normes ci-après.

DECLARACIÓN DE CONFORMIDAD DE LA CE

Declaramos que las máquinas listadas más arriba, cuando se usan conforme al manual del operario, cumplen con los requisitos pertinentes de las directrices y normas listadas a continuación.

PROHLÁŠENÍ O SHODĚ ES

Prohlašujeme, že výše uvedené nástroje a zařízení splňují při použití v souladu s jejich návodem k obsluze příslušné požadavky níže uvedených směrnic a nařízení.

EF-OVERENSSTEMMELSESERKLÆRING

Vi erklærer, at de ovenfor anførte maskiner, ved brug i overensstemmelse med brugervejledningen, opfylder de relevante krav i de nedenfor anførte direktiver og standarder.

EG KONFORMITÄTSESKLÄRUNG

Wir erklären, dass die oben aufgeführten Maschinen, wenn sie entsprechend der Bedienungsanleitung verwendet werden, die einschlägigen Anforderungen der folgenden Richtlinien und Normen erfüllen.

ΔΗΛΩΣΗ ΣΥΜΜΟΡΦΩΣΗΣ ΕΚ

Δηλώνουμε ότι τα μηχανήματα που αναφέρονται παραπάνω, όταν χρησιμοποιούνται σύμφωνα με το εγχειρίδιο χειρισμού, πληρούν τις σχετικές απαιτήσεις των παρακάτω Οδηγιών και Προτύπων.

EY-VAATIMUSTENMUKAISUUSVAKUUTUS

Vakuutamme, että edellä luetellut koneet täyttävät käyttöohjekirjan mukaisesti käytettyinä seuraavien direktiivien ja standardien vaatimukset.

EU IZJAVA O SUKLADNOSTI

Izjavljujemo da su gore navedeni strojevi, kada se koriste u skladu s priručnikom za korisnike, sukladni s relevantnim zahtjevima dolje navedenih direktiva i standarda.

EK MEGFELELŐSÉGI NYILATKOZAT

Kijelentjük, hogy a fent felsorolt gépek - amennyiben a kezelési útmutatónak megfelelően használják őket - megfelelnek az alább felsorolt irányelvek és Szabványok követelményeinek.

DICHIARAZIONE DI CONFORMITÀ CE

Dichiariamo che le macchine elencate in alto, se utilizzate in conformità con il manuale dell'operatore, soddisfano i relativi requisiti delle Direttive e degli Standard specificati di seguito.

EO СӘЙКЕСТІК МӘЛІМДЕМЕСІ

Біз жоғарыда көрсетілген құрылғылардың пайдаланушы нұсқаулығына сәйкес пайдаланылған жағдайда төменде көрсетілген Директивалар мен Стандарттардың тиісті талаптарына жауап беретінін мәлімдейміз.

EG-CONFORMITEITSVERKLARING

Hierbij verklaren wij dat de hierboven vermelde machines, mits gebruikt in overeenstemming met de handleiding, voldoen aan de relevante eisen van de hieronder vermelde richtlijnen en normen.

CE-SAMSVARERKLÆRING

Vi erklærer at maskinene oppført over oppfyller de relevante kravene i direktiver og standarder oppført under dersom de brukes i henhold til bruksanvisningen.

DEKLARACJA ZGODNOŚCI WE

Deklarujemy, że maszyny wymienione powyżej, gdy są używane zgodnie z podręcznikiem użytkownika, spełniają właściwe wymagania Dyrektyw i Standardów, wymienione poniżej.

DECLARAÇÃO DE CONFORMIDADE CE

Declaramos que as máquinas listadas acima, quando utilizadas de acordo com o manual do operador, cumprem os requisitos relevantes das Diretivas e Normas listadas abaixo.

DECLARAȚIE DE CONFORMITATE CE

Declarăm că mașina specificată mai jos, atunci când este utilizată în conformitate cu manualul de exploatare, îndeplinește cerințele relevante ale Directivelor și standardelor specificate mai jos.

ДЕКЛАРАЦИЯ СООТВЕТСТВИЯ ЕС

Мы заявляем, что инструменты, перечисленные выше, при условии использования согласно руководству по эксплуатации, отвечают соответствующим требованиям указанных ниже директив и стандартов.

ES PREHLÁŠENIE O ZHODE

Vyhlasujeme, že stroje uvedené vyššie spĺňajú relevantné požiadavky smerníc a noriem uvedených nižšie, ak sa používajú podľa návodu na použitie.

IZJAVA ES O SKLADNOSTI

Izjavljamo, da zgoraj omenjeni stroji, ko se uporabljajo skladno z uporabniškim priručnikom, izpolnjujejo relevantne zahteve spodaj omenjenih direktiv in standardov.

EC DEKLARACIJA O USAGLAŠENOSTI

Izjavljujemo da gore navedeni strojevi, ako se koriste u skladu s priručnikom za korisnike, zadovoljavaju relevantne zahteve direktiva i standarda koji se navode dole.

EG-FÖRSÄKRAN OM ÖVERENSSTÄMMELSE

Vi meddelar att maskinen som anges ovan uppfyller de aktuella kraven i de angivna direktiven och standarderna nedan när den används enligt bruksanvisningen.

AB UYGUNLUK BEYANI

Yukarıda listelenen makinelerin, kullanıcı kılavuzuna göre kullanıldığında, aşağıda listelenen Direktiflerin ve Standartların ilgili gereksinimlerini karşıladığını beyan ederiz.

EÜ VASTAVUSDEKLARATSIOON

Kinnitame, et eelpool loetletud masinad vastavad allpool loetletud direktiivide ja standardite asjakohastele nõuetele, kui neid kasutatakse vastavalt kasutusjuhendile.

EK ATBILSTĪBAS DEKLARĀCIJA

Mēs apliecinām, ka iepriekšminētās iekārtas, izmantojot tās saskaņā ar operatora rokasgrāmatu, atbilst attiecīgajām tālāk norādīto direktīvu un standartu prasībām.

DEARBHÚ COMHRÉIREACHTA AN CE


Fógraímid go bhfuil na hinnill sa liosta thuas i gcomhréir le riachtanais ábhartha na dTeoracha agus na gCaighdeán sa liosta thíos, ach iad a úsáid de réir an lámhleabhair don oibreoir.


EB ATITIKTIES DEKLARACIJA

Deklaruojame, kad pirmiau išvardytos mašinos, jei naudojamos pagal naudotojo vadovą, atitinka atitinkamus toliau išvardytą direktivų ir standartų reikalavimus.

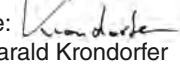
EO ДЕКЛАРАЦИЯ ЗА СЪОТВЕТСТВИЕ

Декларираме, че изброените по-горе машини, когато се използват в съответствие с Ръководство за оператора, отговарят на съответните изисквания на директивите и стандартите, изброени по-долу.

 2006/42/EC, 2014/35/EU, 2014/30/EU, 2011/65/EU
EN 61000-3-2, -3-3, EN 55014-1/-2, EN 62841-1

 5010236
Conforms to ANSI/UL STD. 62841-1
Certified to CSA 22.2 #62841-1



Signature: 
Name: Harald Krondorfer
Qualification: V.P. Engineering
Date: 09/01/2018



FULL LIFETIME WARRANTY (garantie légale étendue à la durée de vie du produit,
voir conditions de garantie / legal warranty extended to the product lifecycle,
see warranty conditions)

**For Warranty Information for your World Region
visit RIDGID.com**

RIDGE TOOL EUROPE N.V.

Ondernemerslaan 5428
3800 Sint-Truiden
Belgium
Tel.: +32 (0)11 598 620
RIDGID.com

Printed 8/20
EC45160

©2014, 2020, RIDGID, Inc.
The Emerson logo and RIDGID logo are registered trademarks of Emerson Electric Co. or RIDGID, Inc. in the U.S. and other countries.
All other trademarks belong to their respective holders.

999-995-045.08
REV. G

RIDGID


EMERSON